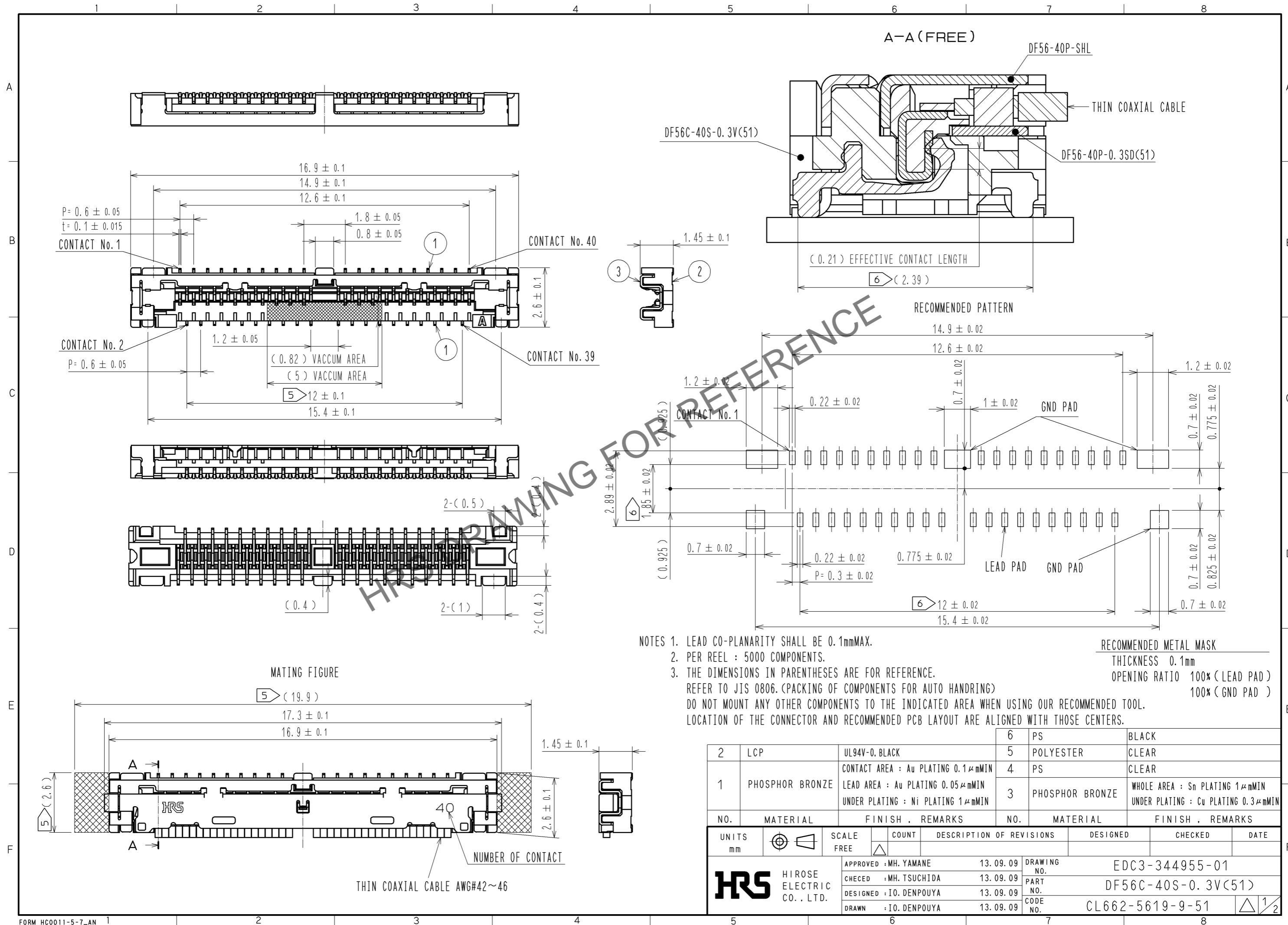


Jan.1.2024 Copyright 2024 HIROSE ELECTRIC CO., LTD. All Rights Reserved.
In case of consideration for using Automotive equipment / device which demand high reliability, kindly contact our sales window correspondents.



- NOTES 1. LEAD CO-PLANARITY SHALL BE 0.1mmMAX.
 2. PER REEL : 5000 COMPONENTS.
 3. THE DIMENSIONS IN PARENTHESES ARE FOR REFERENCE.
 REFER TO JIS 0806. (PACKING OF COMPONENTS FOR AUTO HANDRING)
 DO NOT MOUNT ANY OTHER COMPONENTS TO THE INDICATED AREA WHEN USING OUR RECOMMENDED TOOL.
 LOCATION OF THE CONNECTOR AND RECOMMENDED PCB LAYOUT ARE ALIGNED WITH THOSE CENTERS.

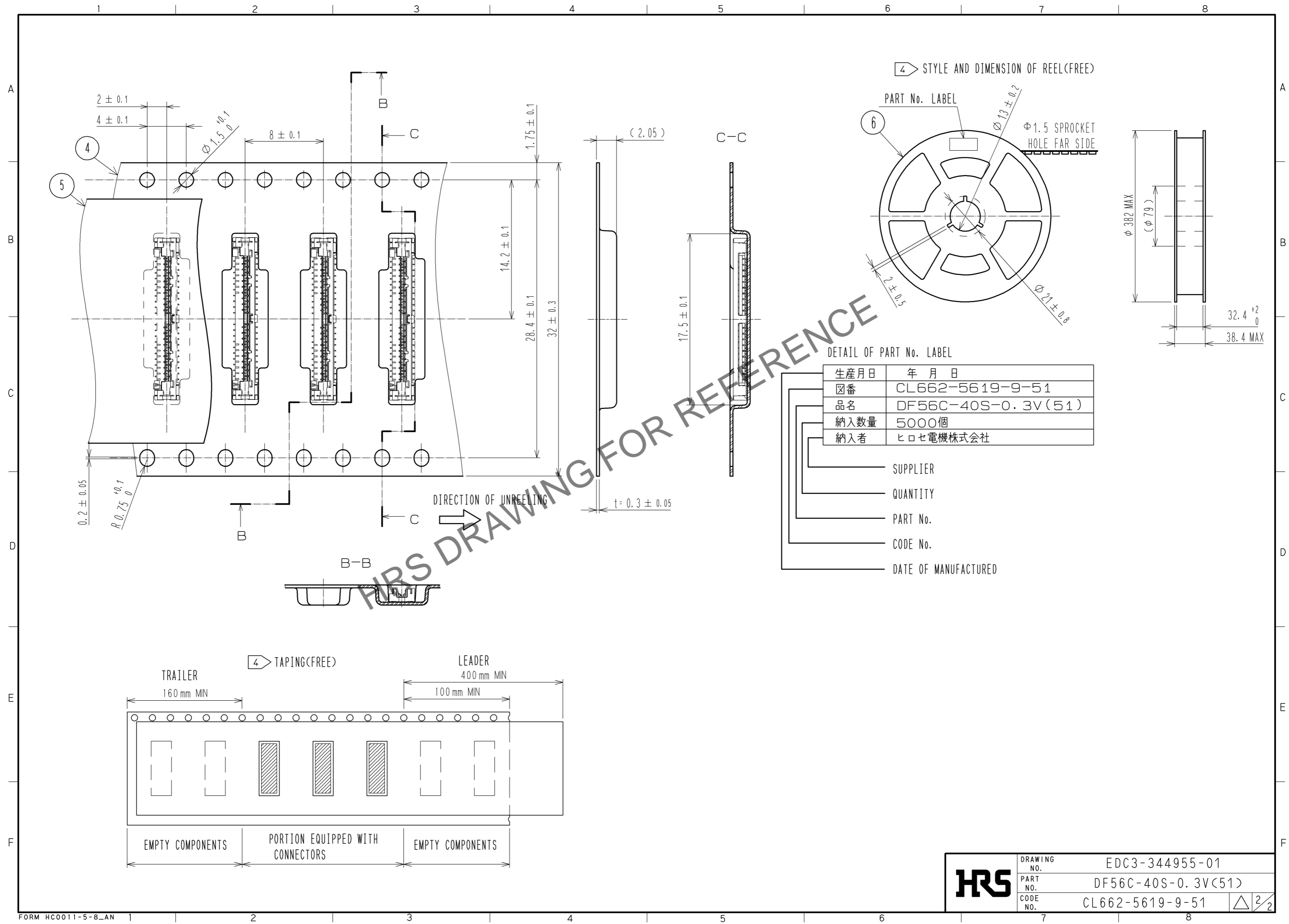
RECOMMENDED METAL MASK

THICKNESS	0.1mm
OPENING RATIO	100% (LEAD PAD) 100% (GND PAD)

2	LCP	UL94V-0. BLACK	6	PS	BLACK
1	PHOSPHOR BRONZE	CONTACT AREA : Au PLATING 0.1μmMIN LEAD AREA : Au PLATING 0.05μmMIN UNDER PLATING : Ni PLATING 1μmMIN	5	POLYESTER	CLEAR
			4	PS	CLEAR
			3	PHOSPHOR BRONZE	WHOLE AREA : Sn PLATING 1μmMIN UNDER PLATING : Cu PLATING 0.3μmMIN
NO.	MATERIAL	FINISH . REMARKS	NO.	MATERIAL	FINISH . REMARKS

UNITS mm		SCALE FREE	COUNT 	DESCRIPTION OF REVISIONS	DESIGNED	CHECKED	DATE
HRS HIROSE ELECTRIC CO., LTD.		APPROVED : MH. YAMANE	13.09.09	DRAWING NO.	EDC3-344955-01		
		CHECED : MH. TSUCHIDA	13.09.09	PART NO.	DF56C-40S-0.3V(51)		
		DESIGNED : IO. DENPOUYA	13.09.09	CODE NO.	CL662-5619-9-51		
		DRAWN : IO. DENPOUYA	13.09.09				

Jan.1.2024 Copyright 2024 HIROSE ELECTRIC CO., LTD. All Rights Reserved.
 In case of consideration for using Automotive equipment / device which demand high reliability, kindly contact our sales window correspondents.



DETAIL OF PART No. LABEL

生産月日	年月日
図番	CL662-5619-9-51
品名	DF56C-40S-0.3V(51)
納入数量	5000個
納入者	ヒロセ電機株式会社

- SUPPLIER
- QUANTITY
- PART No.
- CODE No.
- DATE OF MANUFACTURED

HRS	DRAWING NO.	EDC3-344955-01
	PART NO.	DF56C-40S-0.3V(51)
	CODE NO.	CL662-5619-9-51
		△ 2/2