

1563123-1 ✓ ACTIVE

AMP | MCON Interconnection System

TE Internal #: 1563123-1

Housing for Female Terminals, Wire-to-Board / Wire-to-Wire, 10 Position, .205 in / .1 in [5.2 mm / 2.54 mm] Centerline, MCON Interconnection System

[View on TE.com >](#)



Connectors > Automotive Connectors > Automotive Housings



Connector System: **Wire-to-Board, Wire-to-Wire**

Number of Positions: **10**

Connector & Housing Type: **Housing for Female Terminals**

Centerline (Pitch): **2.54 mm, 5.2 mm [ .1 in, .205 in ]**

Sealable: **No**

### Features

#### Product Type Features

Mixed & Hybrid Connector	Yes
Connector Shape	Rectangular
Connector System	Wire-to-Board, Wire-to-Wire
Connector & Housing Type	Housing for Female Terminals
Sealable	No
Connector & Contact Terminates To	Wire & Cable
Primary Locking Feature	On the Terminal

#### Configuration Features

Number of Positions	10
Number of Rows	3

#### Electrical Characteristics

Operating Voltage	14 VDC
Nominal Voltage Architecture	12 V

#### Body Features

Cable Exit Angle	180°
Primary Product Color	Black
Connector & Keying Code	Neutral

#### Contact Features



Contact Size	1.2mm, 2.8mm
Contact Type	Receptacle
Mating Tab Width	1.2 mm, 2.8 mm [.047 in][.11 in]
Contact Current Rating (Max)	12 A, 35 A

### Mechanical Attachment

Terminal Position Assurance	Yes
Strain Relief	Without
Mating Alignment Type	Polarized
Mating Alignment	With
Connector Mounting Type	Cable Mount (Free-Hanging)

### Housing Features

Housing Material	PBT GF
Centerline (Pitch)	2.54 mm, 5.2 mm [.1 in][.205 in]

### Dimensions

Row-to-Row Spacing	4.24 mm [.167 in]
--------------------	-------------------

### Usage Conditions

Operating Temperature (Max)	120 °C [248 °F]
Operating Temperature Range	-40 – 120 °C [-40 – 248 °F]

### Operation/Application

Circuit Application	Power & Signal
---------------------	----------------

### Packaging Features

Packaging Quantity	1500
Packaging Method	Box & Carton

### Other

Serviceable	Yes
Connector Position Assurance Capable	No

### Product Compliance

[For compliance documentation, visit the product page on TE.com>](#)

EU RoHS Directive 2011/65/EU	Compliant
EU ELV Directive 2000/53/EC	Compliant
China RoHS 2 Directive MIIT Order No 32, 2016	No Restricted Materials Above Threshold



EU REACH Regulation (EC) No. 1907/2006

Current ECHA Candidate List: JUNE 2023 (235)

Candidate List Declared Against: JAN 2023 (233)

Does not contain REACH SVHC

Halogen Content

Low Halogen - Br, Cl, F, I < 900 ppm per homogenous material. Also BFR/CFR/PVC Free

Solder Process Capability

Not applicable for solder process capability

Product Compliance Disclaimer

This information is provided based on reasonable inquiry of our suppliers and represents our current actual knowledge based on the information they provided. This information is subject to change. The part numbers that TE has identified as EU RoHS compliant have a maximum concentration of 0.1% by weight in homogenous materials for lead, hexavalent chromium, mercury, PBB, PBDE, DBP, BBP, DEHP, DIBP, and 0.01% for cadmium, or qualify for an exemption to these limits as defined in the Annexes of Directive 2011/65/EU (RoHS2). Finished electrical and electronic equipment products will be CE marked as required by Directive 2011/65/EU. Components may not be CE marked. Additionally, the part numbers that TE has identified as EU ELV compliant have a maximum concentration of 0.1% by weight in homogenous materials for lead, hexavalent chromium, and mercury, and 0.01% for cadmium, or qualify for an exemption to these limits as defined in the Annexes of Directive 2000/53/EC (ELV). Regarding the REACH Regulation, the information TE provides on SVHC in articles for this part number is based on the latest European Chemicals Agency (ECHA) 'Guidance on requirements for substances in articles' posted at this URL: <https://echa.europa.eu/guidance-documents/guidance-on-reach>

### Compatible Parts



TE Part # CAT-M4595-T273  
MCON Receptacle and Tab



TE Part # 1563125-1  
10POS, MIXED, TAB HSG



TE Part # 1563124-1  
2. LOCK, 10 POS FEM HOUSING

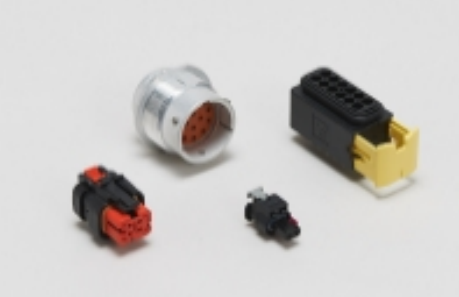
### Also in the Series | MCON Interconnection System




Automotive Connector Caps & Covers (21)



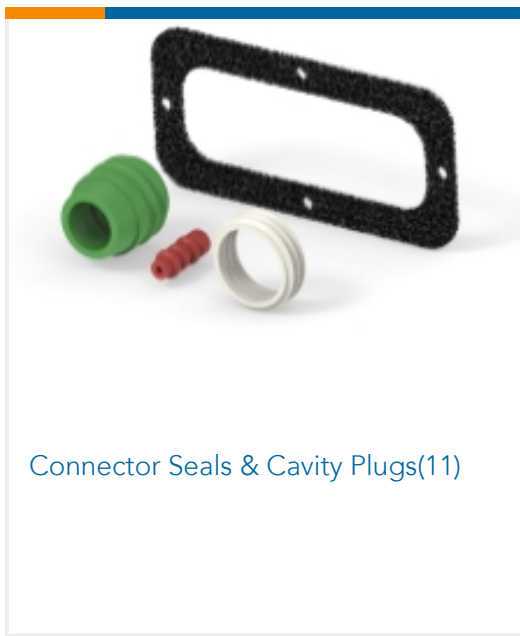
Automotive Connector Locks & Position Assurance(11)



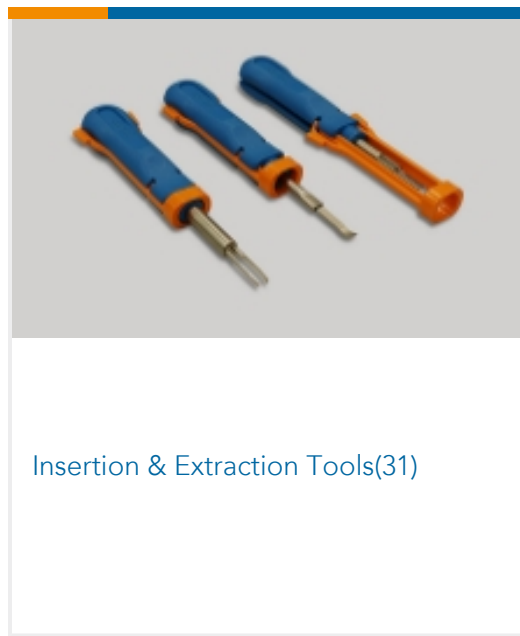
Automotive Housings(288)



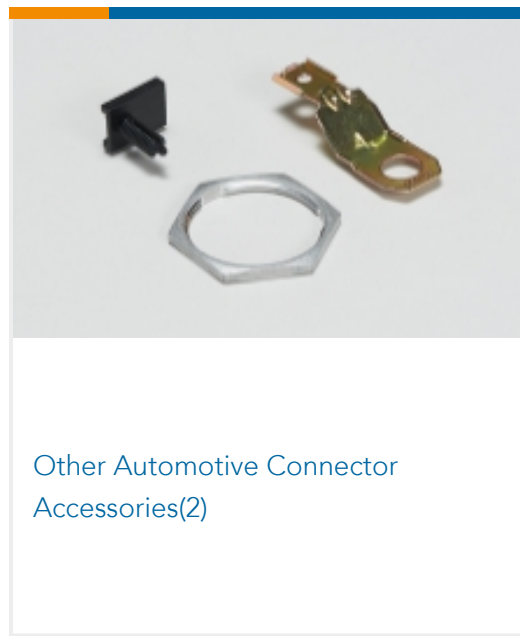
Automotive Terminals(119)



Connector Seals & Cavity Plugs(11)



Insertion & Extraction Tools(31)



Other Automotive Connector Accessories(2)



PCB Headers & Receptacles(2)

## Customers Also Bought



TE Part #160916-3  
250 FASTON,REC.,17-14 AWG,PB



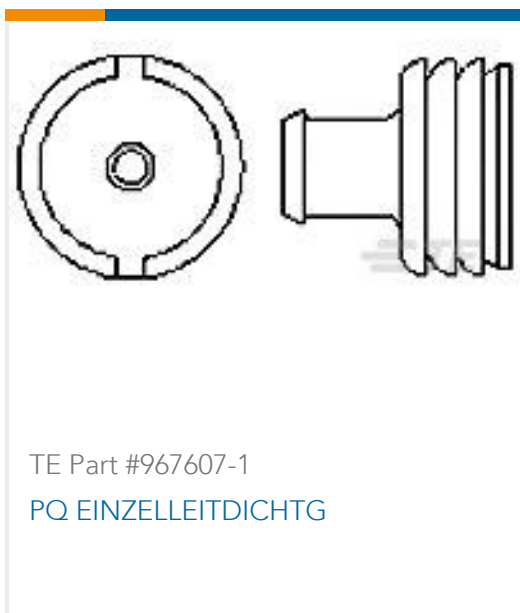
TE Part #962942-2  
TIMER, RECEPTACLE AND TAB



TE Part #2282155-1  
7POS,NANOMQS,REC HSG,CODA



TE Part #1456983-5  
1X4 Fem unsealed LP assy Key C



TE Part #967607-1  
PQ EINZELLEITDICHTG



TE Part #2387351-1  
Lidar, Matenet+Power+signal, code A



TE Part #708412-2  
XCT 25-8 EQ



TE Part #5053096055  
RNF-100-1/4-0-20MM



TE Part #346102-2  
RING TONGUE 0.5-1.0 MM2 0.6 X 15.2  
CUSN

## Documents

### Product Drawings

10POS, MIXED,REC HSG

English

### CAD Files

Customer View Model

ENG\_CVM\_CVM\_1563123-1\_A.2d\_dxf.zip

English

3D PDF



3D

Customer View Model

[ENG\\_CVM\\_CVM\\_1563123-1\\_A.3d\\_igs.zip](#)

English

Customer View Model

[ENG\\_CVM\\_CVM\\_1563123-1\\_A.3d\\_stp.zip](#)

English

By downloading the CAD file I accept and agree to the [Terms and Conditions](#) of use.

---

### Datasheets & Catalog Pages

[MCON Interconnection System](#)

English

---

### Product Specifications

[Application Specification](#)

English

[Application Specification](#)

English