



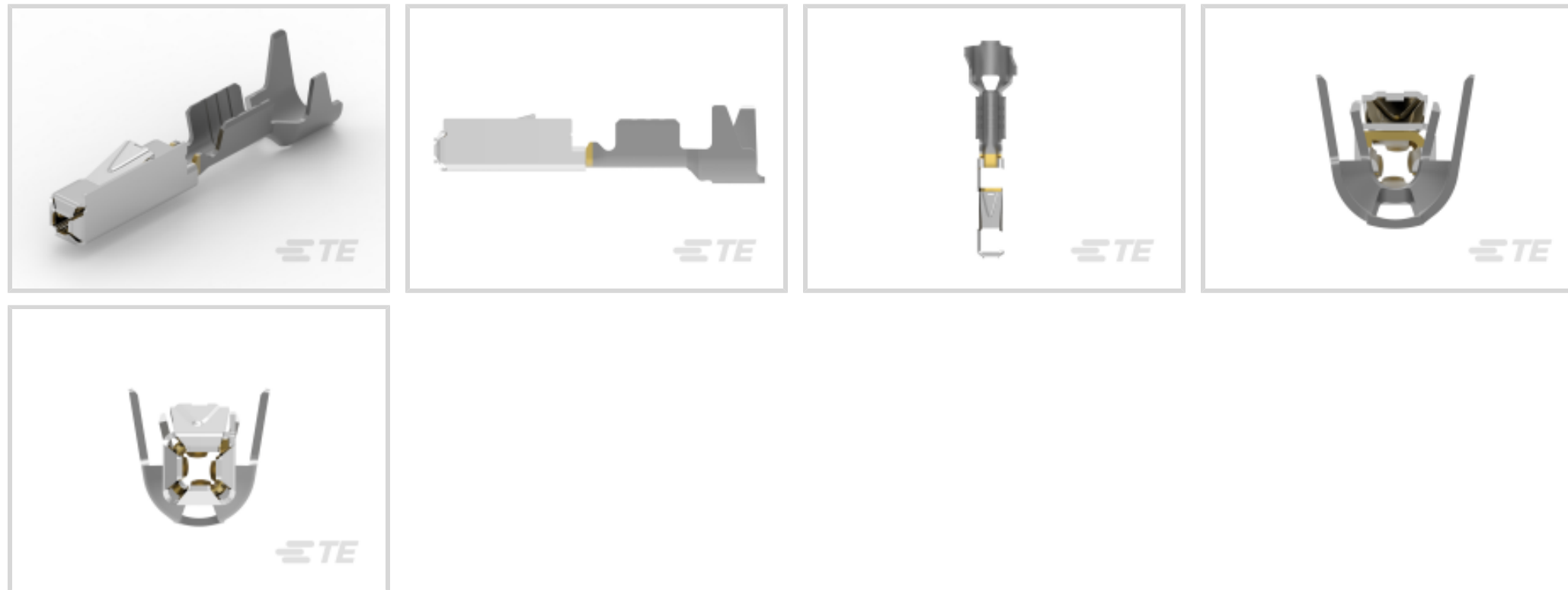
**MQS**

TE Internal #: 5-965906-5

Automotive Terminals, Receptacle, Mating Tab Width .63 mm [.025 in], Tab Thickness .63 mm [.025 in], 20 – 18 AWG Wire Size, MQS

[View on TE.com >](#)

Terminals & Splices > Automotive Terminals > MQS, RECEPTACLE AND TAB



Terminal Type: **Receptacle**

Mating Tab Width: **.63 mm [.025 in]**

Mating Tab Thickness: **.63 mm [.025 in]**

Terminal Transmits: **0 – 24 A (Low Power)**

Wire Size: **20 – 18 AWG**

[All MQS, RECEPTACLE AND TAB \(108\)](#)

**Features**

**Product Type Features**

Receptacle Style	180°
Sealable	Yes
Primary Locking Feature	Locking Lance

**Body Features**

Terminal Seal Type	Single Wire Seal (SWS)
--------------------	------------------------

**Contact Features**

Contact Size	.63mm
Contact Fabrication	Stamped & Formed
Wire Contact Termination Area Plating Material	Gold
Typical Current Rating	7.5 A
Crimp Type	F-Crimp
Terminal Type	Receptacle
Mating Tab Width	.63 mm[.025 in]



Mating Tab Thickness	.63 mm [.025 in]
----------------------	------------------

Interface Plating	Gold (Au)
-------------------	-----------

### Termination Features

Termination Method to Wire & Cable	Crimp
------------------------------------	-------

Product Terminates To	Wire
-----------------------	------

### Dimensions

Compatible Insulation Diameter Range	1.3 – 1.9 mm [.051 – .074 in]
--------------------------------------	-------------------------------

Wire Size	.5 – .75 mm <sup>2</sup>
-----------	--------------------------

Wire Size Search	18 AWG, 19 AWG, 20 AWG
------------------	------------------------

### Usage Conditions

Insulation Option	Uninsulated
-------------------	-------------

Operating Temperature (Max)	80 °C, 85 °C, 90 °C, 100 °C, 105 °C, 110 °C, 120 °C, 125 °C, 130 °C, 140 °C [176 °F][185 °F][194 °F][212 °F][221 °F][230 °F][248 °F][257 °F][266 °F][284 °F]
-----------------------------	--

Operating Temperature Range	-40 – 140 °C [-40 – 284 °F]
-----------------------------	-----------------------------

### Operation/Application

Conforms to KOMAX Automatic Component Insertion Guideline	Yes, per Version 5.0 (March 2018)
---	-----------------------------------

Compatible With Wire Base Material	Copper
------------------------------------	--------

### Industry Standards

Compatible With Agency/Standards Products	LV214
---	-------

### Packaging Features

Packaging Quantity	9000
--------------------	------

Packaging Method	Reel
------------------	------

### Other

Terminal Transmits	0 – 24 A (Low Power)
--------------------	----------------------

### Product Compliance

[For compliance documentation, visit the product page on TE.com>](#)

EU RoHS Directive 2011/65/EU	Compliant
------------------------------	-----------

EU ELV Directive 2000/53/EC	Compliant
-----------------------------	-----------

China RoHS 2 Directive MIIT Order No 32, 2016	No Restricted Materials Above Threshold
---	---

EU REACH Regulation (EC) No. 1907/2006	
--	--

Current ECHA Candidate List: JUNE 2023 (235)  
 Candidate List Declared Against: JUNE 2023 (235)  
 Does not contain REACH SVHC

Halogen Content

Low Halogen - Br, Cl, F, I < 900 ppm per homogenous material. Also BFR/CFR/PVC Free

Solder Process Capability

Not reviewed for solder process capability

Product Compliance Disclaimer

This information is provided based on reasonable inquiry of our suppliers and represents our current actual knowledge based on the information they provided. This information is subject to change. The part numbers that TE has identified as EU RoHS compliant have a maximum concentration of 0.1% by weight in homogenous materials for lead, hexavalent chromium, mercury, PBB, PBDE, DBP, BBP, DEHP, DIBP, and 0.01% for cadmium, or qualify for an exemption to these limits as defined in the Annexes of Directive 2011/65/EU (RoHS2). Finished electrical and electronic equipment products will be CE marked as required by Directive 2011/65/EU. Components may not be CE marked. Additionally, the part numbers that TE has identified as EU ELV compliant have a maximum concentration of 0.1% by weight in homogenous materials for lead, hexavalent chromium, and mercury, and 0.01% for cadmium, or qualify for an exemption to these limits as defined in the Annexes of Directive 2000/53/EC (ELV). Regarding the REACH Regulation, the information TE provides on SVHC in articles for this part number is based on the latest European Chemicals Agency (ECHA) 'Guidance on requirements for substances in articles' posted at this URL: <https://echa.europa.eu/guidance-documents/guidance-on-reach>

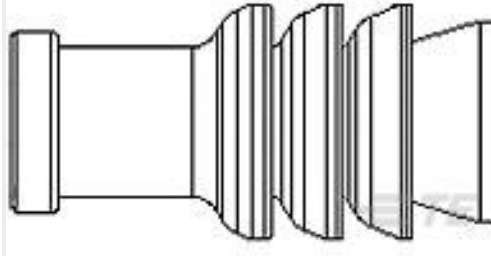
## Compatible Parts



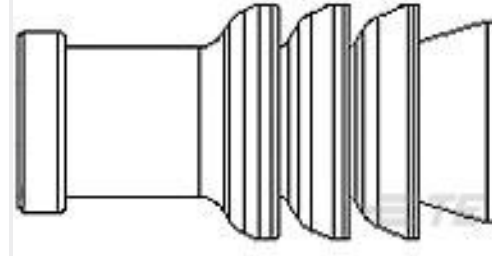
TE Part # CAT-M8793-CH8172  
MQS, CONNECTOR HOUSING



TE Part # 6-1579007-1  
EXTRACTION TOOL



TE Part # 963142-1  
MQS SINGLE-WIRE SEAL FOR 4MM



TE Part # 967067-1  
MQS SGL WIRE SEAL



TE Part # 1-967658-1  
8pos MQS .63 header 90deg



TE Part # 1-967067-1  
MQS SGL WIRE SEAL



TE Part # 2063530-1  
SDE MQS 0.5-0.75mm2 ASSY

REPRESENTATION ONLY. DIE SET MAY VARY.



TE Part # 2063530-2  
SDE MQS 0.5-0.75mm2 DIE SET




TE Part # 2134557-2  
8POS MQS REC



TE Part # 2151038-1  
OCEAN\_2.0\_APPLICATOR-S-055F114O



TE Part # 2151038-2  
OCEAN\_2.0\_APPLICATOR-S-055F114O



TE Part # 2305570-1  
Strip Terminal Cutter-Side Feed-No Crimp



TE Part # 5-2151038-1  
OCEAN\_2.0\_APPLICATOR-S-055F114O



TE Part # 5-2151038-2  
OCEAN\_2.0\_APPLICATOR-S-055F114O



TE Part # 7-2151038-1  
OCEAN\_2.0\_APPLICATOR-S-055F114O



TE Part # 7-2151038-2  
OCEAN\_2.0\_APPLICATOR-S-055F114O



**KIT**  
REPRESENTATION ONLY

TE Part # 7-2151038-7  
OCEAN\_2.0\_SPARE\_PART\_KIT-055F114O



**KIT**  
REPRESENTATION ONLY

TE Part # 7-2266058-7  
OC-055F114O-752-CRIMPTOOLILNGKIT




TE Part # 2386459-1  
EXTRACTION TOOL



TE Part # 4-368213-7  
AIR BAG 50P HDR ASSY C-BLU/PL

Also in the Series | **MQS**




Automotive Connector Caps & Covers (111)




Automotive Connector EMC Shielding (3)




Automotive Connector Locks & Position Assurance(27)




Automotive Housings(375)




Automotive Terminals(89)



Connector Seals & Cavity Plugs(26)

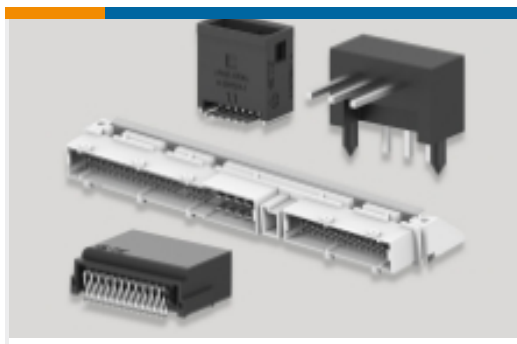


Insertion & Extraction Tools(42)



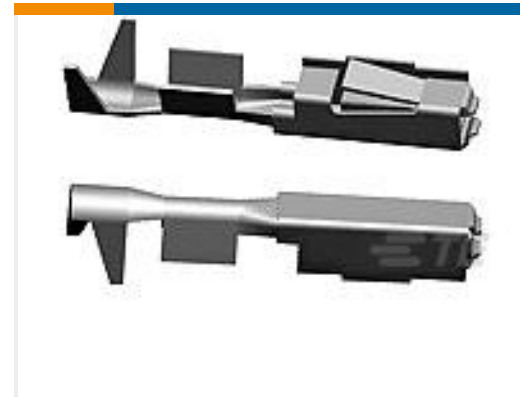
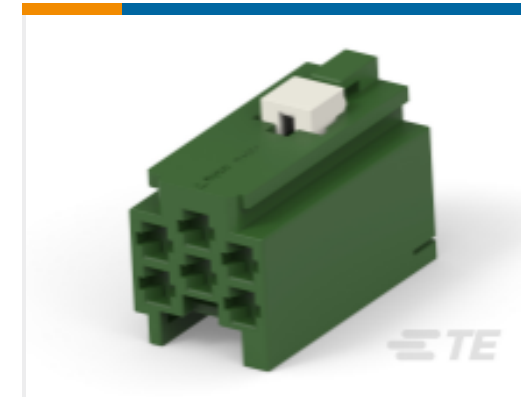
Other Automotive Connector Accessories(7)





PCB Headers &amp; Receptacles(143)

## Customers Also Bought

TE Part #1-967640-1  
MQS, CONNECTOR HOUSINGTE Part #5-962885-5  
MQS0,63 Au rec LL EDS 0,2-0,35TE Part #1438098-1  
40 WAY PLUG ASSY KEY HTE Part #1897114-7  
6P CAR-AUDIO CONN'R,PART C2,  
ASS'YTE Part #2141902-8  
MT2 A REC 1.6 Contact SWS AgTE Part #2298622-1  
24POS,HYBRID,REC HSG ASSY,  
UNSLD,COD ATE Part #2299987-3  
65W PLUG ASSEMBLYTE Part #0989076025  
RBK-ILS-125-NR2-0-35MM

## Documents

### Product Drawings

MQS0,63 Au rec LL EDS 0,5-0,75

English

### CAD Files

Customer View Model

[ENG\\_CVM\\_CVM\\_5-965906-5\\_E.2d\\_dxf.zip](#)

English

3D PDF

3D

Customer View Model

[ENG\\_CVM\\_CVM\\_5-965906-5\\_E.3d\\_igs.zip](#)

English

Customer View Model

[ENG\\_CVM\\_CVM\\_5-965906-5\\_E.3d\\_stp.zip](#)

English

By downloading the CAD file I accept and agree to the [Terms and Conditions](#) of use.



---

**Datasheets & Catalog Pages**

**Micro Quadlok Interconnection System (MQS)**

English

---

**Product Specifications**

**Application Specification**

English

**Application Specification**

German

**Application Specification**

English