



AMP

TE Internal #: 350967-2

Pin Contact, Gold, 250 VAC, 250 VDC, 26 – 18 AWG Wire Size, .12 – .8 mm<sup>2</sup> Wire Size, 236.823 – 1578.82 CMA Wire Size, Crimp, Phosphor Bronze

[View on TE.com >](#)

Connectors > Contacts > Connector Contacts



Contact Type: **Pin**

Contact Mating Area Plating Material: **Gold**

Wire Contact Termination Area Plating Material: **Nickel**

Operating Voltage: **250 VDC**

**Features**

**Product Type Features**

Sealable	No
----------	----

**Electrical Characteristics**

Operating Voltage	250 VDC
-------------------	---------

**Contact Features**

Contact Fabrication	Stamped & Formed
Mating Pin Diameter	1.73 mm[.068 in]
Contact Underplating Material Thickness	1.27 μm[1.27 μin]
Wire Contact Termination Area Plating Thickness	1.27 μm[50 μin]
Wire Contact Termination Area Plating Material Finish	Matte
Contact Mating Area Plating Material Thickness	.76 μm[29.92 μin]
Contact Orientation	Straight
Contact Underplating Material	Nickel
Contact Type	Pin
Contact Mating Area Plating Material	Gold
Wire Contact Termination Area Plating Material	Nickel



Contact Retention Within Housing	With
Contact Base Material	Phosphor Bronze
Contact Current Rating (Max)	9 A

### Termination Features

Termination Method to Wire & Cable	Crimp
Product Terminates To	Wire & Cable

### Mechanical Attachment

Wire Insulation Support	With
-------------------------	------

### Dimensions

Compatible Insulation Diameter Range	1.27 – 2.92 mm [.05 – .115 in]
Wire Size	236.823 – 1578.82 CMA

### Usage Conditions

Operating Temperature Range	-55 – 85 °C [-67 – 185 °F]
-----------------------------	----------------------------

### Operation/Application

Circuit Application	Power & Signal
---------------------	----------------

### Packaging Features

Packaging Method	Reel
------------------	------

## Product Compliance

[For compliance documentation, visit the product page on TE.com>](#)

EU RoHS Directive 2011/65/EU	Compliant
EU ELV Directive 2000/53/EC	Compliant
China RoHS 2 Directive MIIT Order No 32, 2016	No Restricted Materials Above Threshold
EU REACH Regulation (EC) No. 1907/2006	Current ECHA Candidate List: JUNE 2023 (235) Candidate List Declared Against: JUNE 2023 (235) Does not contain REACH SVHC
Halogen Content	Low Halogen - Br, Cl, F, I < 900 ppm per homogenous material. Also BFR/CFR/PVC Free
Solder Process Capability	Not applicable for solder process capability

Product Compliance Disclaimer

This information is provided based on reasonable inquiry of our suppliers and represents our current actual knowledge based on the information they provided. This information is subject to change. The part numbers that TE has identified as EU RoHS compliant have a maximum concentration of 0.1% by weight in homogenous materials for lead, hexavalent chromium, mercury, PBB, PBDE, DBP, BBP, DEHP, DIBP, and 0.01% for cadmium, or qualify for an exemption to these limits as defined in the Annexes of Directive 2011/65/EU (RoHS2). Finished electrical and electronic equipment products will be CE marked as required by Directive 2011/65/EU. Components may not be CE marked. Additionally, the part numbers that TE has identified as EU ELV compliant have a maximum concentration of 0.1% by weight in homogenous materials for lead, hexavalent chromium, and mercury, and 0.01% for cadmium, or qualify for an exemption to these limits as defined in the Annexes of Directive 2000/53/EC (ELV). Regarding the REACH Regulation, the information TE provides on SVHC in articles for this part number is based on the latest European Chemicals Agency (ECHA) 'Guidance on requirements for substances in articles' posted at this URL: <https://echa.europa.eu/guidance-documents/guidance-on-reach>

## Compatible Parts



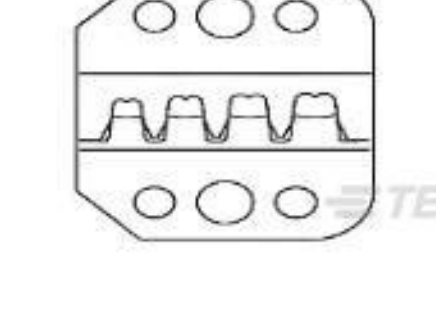
TE Part # 2063388-1  
TOOL, EXTRACTION



TE Part # 58514-1  
PROCRIMP TL W/DIE MR26-18



TE Part # 91526-1  
CCII MR II+ REC 26-18 ASSY



TE Part # 58514-2  
PROCRIMP DIE MR26-18



TE Part # 2151229-1  
OCEAN-2.0-APPLICATOR-S-055F120F



TE Part # 2151229-2  
OCEAN-2.0-APPLICATOR-S-055F120F



TE Part # 2305570-1  
Strip Terminal Cutter-Side Feed-No Crimp



TE Part # 5-2151229-1  
OCEAN-2.0-APPLICATOR-S-055F120F



TE Part # 5-2151229-2  
OCEAN-2.0-APPLICATOR-S-055F120F



TE Part # 7-2151229-1  
OCEAN-2.0-APPLICATOR-S-055F120F



TE Part # 7-2151229-2  
OCEAN-2.0-APPLICATOR-S-055F120F



KIT  
REPRESENTATION ONLY  
TE Part # 7-2151229-7  
OCEAN\_2.0\_SPARE\_PART\_KIT-055F120F

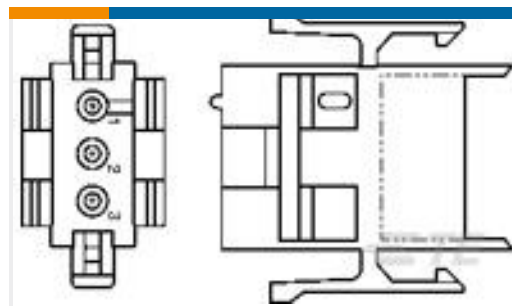
## Customers Also Bought



TE Part #53941-2  
TERMINAL,PIDG R 16-14 8



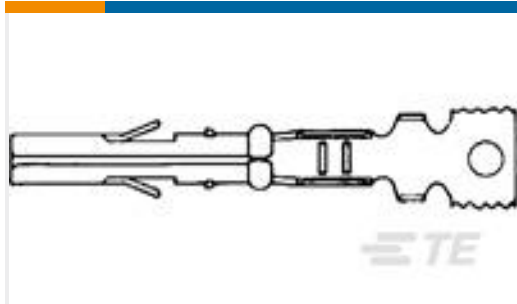
TE Part #66597-2  
III+ PIN,18-14,30AU/FL,STRIP



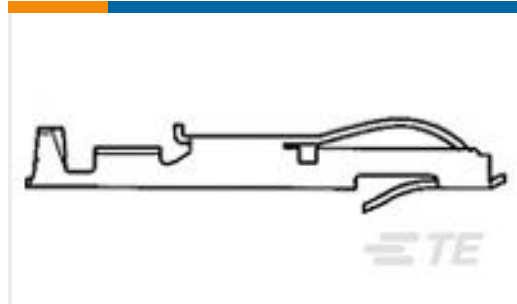
TE Part #1-640507-0  
02P MR II CAP HSG



TE Part #211076-1  
SINGLE CIR METRIMATE



TE Part #641294-2  
MR RECPT 26-18 AUNI/AUPHBZ



TE Part #583853-9  
TWIN LF CONT IS 20-24 AU



TE Part #859526-4  
4 CAV FLANGED RECEPT KIT



TE Part #5-1393117-5  
KUP-11D55-110=KU



TE Part #3-641220-4  
04P MTA156 CONN ASSY 24AWG LF



TE Part #3-641151-4  
04P MTA156 ASSY 24AWG WHT LF

## Documents

### Product Drawings

[MR PIN AU/PHBZ](#)

English

### CAD Files

[3D PDF](#)

English

Customer View Model

[ENG\\_CVM\\_350967-2\\_L.2d\\_dxf.zip](#)

English

Customer View Model

[ENG\\_CVM\\_350967-2\\_L.3d\\_igs.zip](#)

English

Customer View Model

[ENG\\_CVM\\_350967-2\\_L.3d\\_stp.zip](#)

English

[3D PDF](#)

3D



**Customer View Model**

[ENG\\_CVM\\_CVM\\_350967-2\\_AA.2d\\_dxf.zip](#)

English

**Customer View Model**

[ENG\\_CVM\\_CVM\\_350967-2\\_AA.3d\\_igs.zip](#)

English

**Customer View Model**

[ENG\\_CVM\\_CVM\\_350967-2\\_AA.3d\\_stp.zip](#)

English

By downloading the CAD file I accept and agree to the [Terms and Conditions](#) of use.

---

**Datasheets & Catalog Pages**

[SOFT\\_SHELL\\_PIN\\_AND\\_SOCKET\\_CONNECTORS\\_CATALOG](#)

English

---

**Product Specifications**

[Application Specification](#)

English