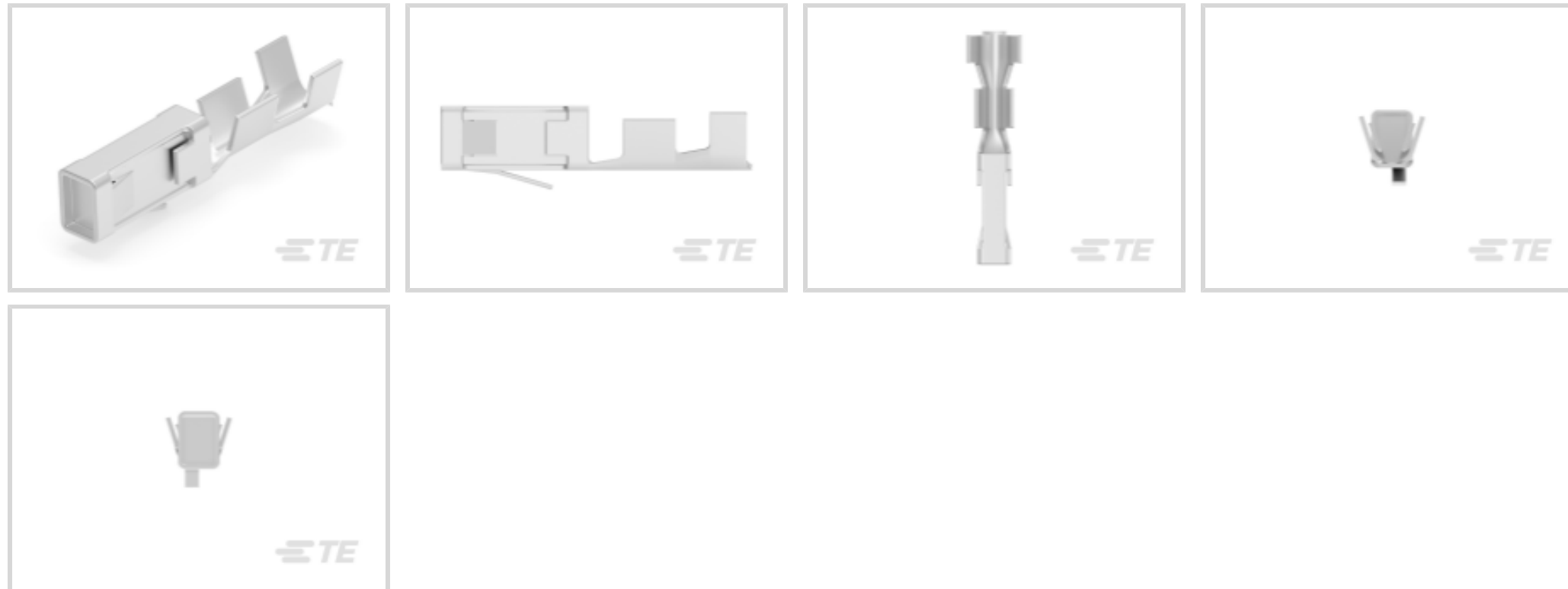




Connectors > Contacts > Connector Contacts



Contact Type: **Socket**

Contact Mating Area Plating Material: **Tin**

Wire Size: **.3 – .9 mm²**

Contact Base Material: **Phosphor Bronze**

Features

Product Type Features

Applied Pressure	Standard
------------------	----------

Contact Features

PCB Contact Termination Area Plating Material Thickness	.8 μm[31.496 μin]
Contact Mating Area Plating Material Thickness	.8 μm[31.496 μin]
Contact Orientation	Straight
PCB Contact Termination Area Plating Material	Tin
Contact Type	Socket
Contact Mating Area Plating Material	Tin
Contact Base Material	Phosphor Bronze
Contact Current Rating (Max)	5 A

Termination Features

Product Terminates To	Wire & Cable
-----------------------	--------------

Mechanical Attachment

Wire Insulation Support	With
-------------------------	------



PCB Mount Retention

Without

Dimensions

Compatible Insulation Diameter Range

1.8 – 2.3 mm [.071 – .091 in]

Wire Size

.3 – .9 mm²

Usage Conditions

Operating Temperature Range

-40 – 105 °C [-40 – 221 °F]

Operation/Application

Circuit Application

Signal

Packaging Features

Packaging Quantity

5000

Packaging Method

Carton

Product Compliance

For compliance documentation, visit the product page on [TE.com](https://www.te.com)>

EU RoHS Directive 2011/65/EU

Compliant

EU ELV Directive 2000/53/EC

Compliant

China RoHS 2 Directive MIIT Order No 32, 2016

No Restricted Materials Above Threshold

EU REACH Regulation (EC) No. 1907/2006

Current ECHA Candidate List: JUNE 2023 (235)
 Candidate List Declared Against: JUNE 2023 (235)
 Does not contain REACH SVHC

Halogen Content

Low Halogen - Br, Cl, F, I < 900 ppm per homogenous material. Also BFR/CFR/PVC Free

Solder Process Capability

Not applicable for solder process capability

Product Compliance Disclaimer

This information is provided based on reasonable inquiry of our suppliers and represents our current actual knowledge based on the information they provided. This information is subject to change. The part numbers that TE has identified as EU RoHS compliant have a maximum concentration of 0.1% by weight in homogenous materials for lead, hexavalent chromium, mercury, PBB, PBDE, DBP, BBP, DEHP, DIBP, and 0.01% for cadmium, or qualify for an exemption to these limits as defined in the Annexes of Directive 2011/65/EU (RoHS2). Finished electrical and electronic equipment products will be CE marked as required by Directive 2011/65/EU. Components may not be CE marked. Additionally, the part numbers that TE has identified as EU ELV compliant have a maximum concentration of 0.1% by weight in homogenous materials for lead, hexavalent chromium, and mercury, and 0.01% for cadmium, or qualify for an exemption to these limits as defined in the Annexes of Directive 2000/53/EC (ELV). Regarding the REACH Regulation, the information TE provides on SVHC in articles for this part number is based on the latest European Chemicals Agency (ECHA) 'Guidance on requirements for substances in articles' posted at this URL: <https://echa.europa.eu/guidance-documents/guidance-on-reach>

Compatible Parts



TE Part # 843473-1
EXTRACTION TOOL




TE Part # 280594
AMP MODU MOD I RECEPT HSG



TE Part # 280592
AMPMODU I RECEPTACLE HOUSING.



TE Part # 280593
AMP MODU MOD I RECEPT HSG



TE Part # 280595
AMP MODU MOD I RECEPT HSG



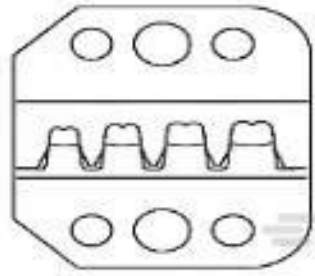
TE Part # 280591
AMPMODU MODU I REC HOUSING



TE Part # 280590
AMPMODU MOD I REC HOUSING



TE Part # 1285002-1
ASSY PROCRIMPER AMPMODU



TE Part # 1285002-2
PROCRIMPER TOOL & DIE



TE Part # 2266174-1
OCEAN-2.0-APPLICATOR-S-070F1000



TE Part # 2266174-2
OCEAN-2.0-APPLICATOR-S-070F1000



TE Part # 7-2266174-1
OCEAN-2.0-APPLICATOR-S-070F1000

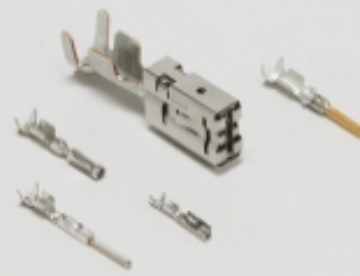


TE Part # 7-2266174-2
OCEAN-2.0-APPLICATOR-S-070F1000

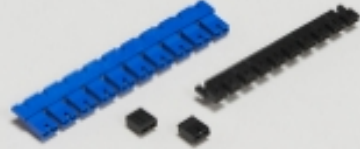


TE Part # 7-2266174-7
OCEAN_2.0_SPARE_PART_KIT-070F1000


Also in the Series | AMPMODU MOD 1



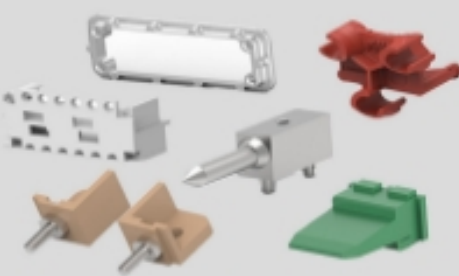
Automotive Terminals(4)



Board-to-Board Jumpers & Shunts(5)



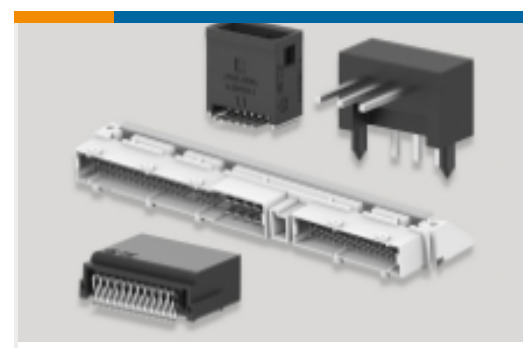
Connector Contacts(108)



Connector Hardware(2)



Insertion & Extraction Tools(1)

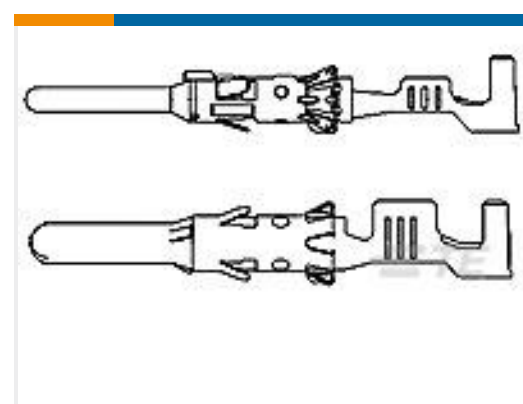
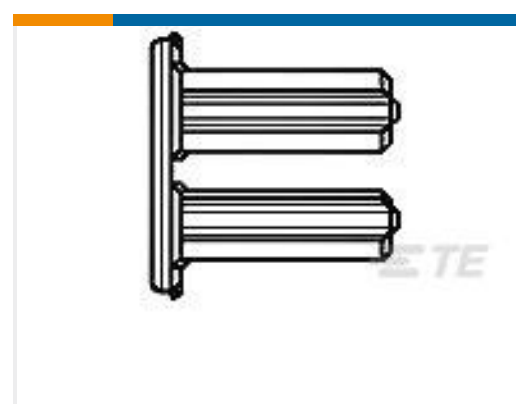
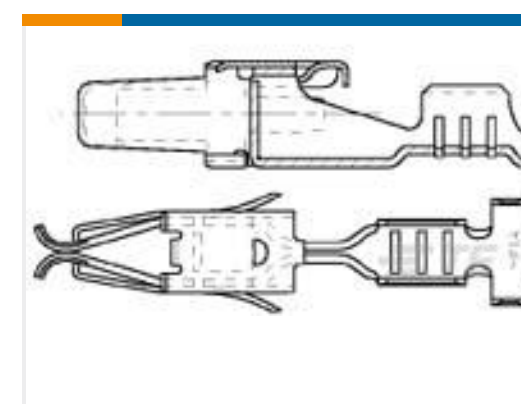


PCB Headers & Receptacles(341)



Wire-to-Board Connector Assemblies & Housings(32)

Customers Also Bought

TE Part #1-967623-1
Timer Connector HousingTE Part #66104-9
Strip Pin and Socket Contacts, Type IIITE Part #1-353715-2
DYNAMIC D-3 REC CONT. 3L AU 0.38TE Part #183077-1
FREE HANG.17-16STD.SEX SRS 1TE Part #8-1393224-2
RY531024TE Part #929967-1
STIFTKONTAKT 2,5MMDTE Part #967635-1
2.0 KONTTE Part #144432-1
JPT F REC 2.8 Contact SRC Sn

Documents

Product Drawings

MOD I CRIMP CONTACT

English

CAD Files

3D PDF

3D

Customer View Model

[ENG_CVM_CVM_280621-1_AE.2d_dxf.zip](#)

English

Customer View Model

[ENG_CVM_CVM_280621-1_AE.3d_igs.zip](#)

English

Customer View Model

[ENG_CVM_CVM_280621-1_AE.3d_stp.zip](#)

English

3D PDF



English

Customer View Model

[ENG_CVM_280621-1_N1.3d_igs.zip](#)

English

Customer View Model

[ENG_CVM_280621-1_N1.3d_stp.zip](#)

English

Customer View Model

[ENG_CVM_280621-1_N1.2d_dxf.zip](#)

English

By downloading the CAD file I accept and agree to the [Terms and Conditions](#) of use.

Product Specifications

[Application Specification](#)

English