

2141116-1 ✓ ACTIVE

## MCON Interconnection System

TE Internal #: 2141116-1

Automotive Terminals, Tab, Mating Tab Width 1.2 mm [.047 in], Tab Thickness .6 mm [.024 in], 20 – 18 AWG Wire Size, MCON Interconnection System

[View on TE.com >](#)



Terminals & Splices > Automotive Terminals > MCON Receptacle and Tab



Terminal Type: **Tab**

Mating Tab Width: **1.2 mm [.047 in]**

Mating Tab Thickness: **.6 mm [.024 in]**

Terminal Transmits: **0 – 24 A (Low Power)**

Wire Size: **20 – 18 AWG**

[All MCON Receptacle and Tab \(99\)](#)

## Features

### Product Type Features

Receptacle Style	180°
Sealable	Yes
Primary Locking Feature	Clean Body

### Body Features

Terminal Seal Type	Single Wire Seal (SWS)
--------------------	------------------------

### Contact Features

Contact Size	1.2mm
Contact Fabrication	Stamped & Formed
Crimp Type	F-Crimp
Terminal Type	Tab
Mating Tab Width	1.2 mm [.047 in]
Mating Tab Thickness	.6 mm [.024 in]
Interface Plating	Tin (Sn)

### Termination Features

Termination Method to Wire & Cable	Crimp
Product Terminates To	Wire



### Dimensions

Compatible Insulation Diameter Range	1.4 – 1.9 mm [.05 – .07 in]
Wire Size	.5 – .75 mm <sup>2</sup>
Wire Size Search	18 AWG, 19 AWG, 20 AWG
Tab Length	7.3 mm [.287 in]

### Usage Conditions

Insulation Option	Uninsulated
Operating Temperature (Max)	80 °C, 85 °C, 90 °C, 100 °C, 105 °C, 110 °C, 120 °C, 125 °C, 130 °C [176 °F][185 °F][194 °F][212 °F][221 °F][230 °F][248 °F][257 °F][266 °F]
Operating Temperature Range	-40 – 130 °C [-40 – 266 °F]

### Operation/Application

Conforms to KOMAX Automatic Component Insertion Guideline	Yes, per Version 5.0 (March 2018)
Compatible With Wire Base Material	Copper

### Industry Standards

Compatible With Agency/Standards Products	IEC 664/664A (DIN VDE 0110)
---	-----------------------------

### Packaging Features

Packaging Quantity	6000
Packaging Method	Reel

### Other

Terminal Transmits	0 – 24 A (Low Power)
--------------------	----------------------

### Product Compliance

[For compliance documentation, visit the product page on TE.com>](#)

EU RoHS Directive 2011/65/EU	Compliant
EU ELV Directive 2000/53/EC	Compliant
China RoHS 2 Directive MIIT Order No 32, 2016	No Restricted Materials Above Threshold
EU REACH Regulation (EC) No. 1907/2006	Current ECHA Candidate List: JUNE 2023 (235) Candidate List Declared Against: JUNE 2023 (235) Does not contain REACH SVHC
Halogen Content	Low Halogen - Br, Cl, F, I < 900 ppm per homogenous material. Also BFR/CFR/PVC

Free

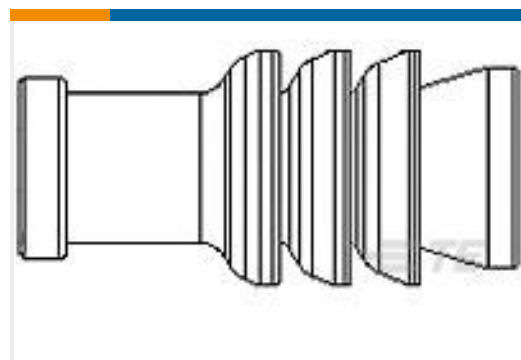
Solder Process Capability

Not reviewed for solder process capability

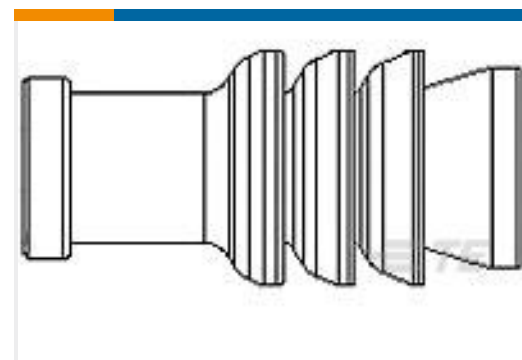
Product Compliance Disclaimer

This information is provided based on reasonable inquiry of our suppliers and represents our current actual knowledge based on the information they provided. This information is subject to change. The part numbers that TE has identified as EU RoHS compliant have a maximum concentration of 0.1% by weight in homogenous materials for lead, hexavalent chromium, mercury, PBB, PBDE, DBP, BBP, DEHP, DIBP, and 0.01% for cadmium, or qualify for an exemption to these limits as defined in the Annexes of Directive 2011/65/EU (RoHS2). Finished electrical and electronic equipment products will be CE marked as required by Directive 2011/65/EU. Components may not be CE marked. Additionally, the part numbers that TE has identified as EU ELV compliant have a maximum concentration of 0.1% by weight in homogenous materials for lead, hexavalent chromium, and mercury, and 0.01% for cadmium, or qualify for an exemption to these limits as defined in the Annexes of Directive 2000/53/EC (ELV). Regarding the REACH Regulation, the information TE provides on SVHC in articles for this part number is based on the latest European Chemicals Agency (ECHA) 'Guidance on requirements for substances in articles' posted at this URL: <https://echa.europa.eu/guidance-documents/guidance-on-reach>

### Compatible Parts



TE Part # 967067-1  
MOS SGL WIRE SEAL



TE Part # 967067-2  
MOS EINZELLEITDICHT



TE Part # 2203770-1  
Cap Ass'y, 2P Sealed, Key A



TE Part # CAT-M4595-T273  
MCON Receptacle and Tab



TE Part # 2203770-3  
Cap Ass'y, 2P Sealed, Key C



TE Part # 2203772-1  
3POS, MCON 1.2 CB TAB 1p TL SEALED



TE Part # 2203774-1  
4POS, MCON 1.2 CB TAB 1p TL SEALED



TE Part # 1-2203775-1  
5POS, MCON 1.2 CB REC 1p TL SEALED



TE Part # 1-2203775-2  
Plug Ass'y, 5P Sealed, Key B, CPA



TE Part # 2151477-1  
OCEAN\_2.0\_APPLICATOR-S-055F125F



TE Part # 2151477-2  
OCEAN\_2.0\_APPLICATOR-S-055F125F



TE Part # 2203770-2  
2POS, MCON 1.2 CB TAB 1p TL SEALED




TE Part # 2203772-2  
Cap Ass'y, 3P Sealed, Key B



TE Part # 2203772-3  
Cap Ass'y, 3P Sealed, Key C



TE Part # 2203774-2  
Cap Ass'y, 4P Sealed, Key B



TE Part # 2203774-3  
Cap Ass'y, 4P Sealed, Key C



TE Part # 2203776-1  
5POS, MCON 1.2 CB TAB 1p TL SEALED



TE Part # 2203805-1  
2POS, MCON 1.2 CB TAB 1p TL SEALED




TE Part # 2203805-2  
Cap Ass'y, 2P Sealed, Key B

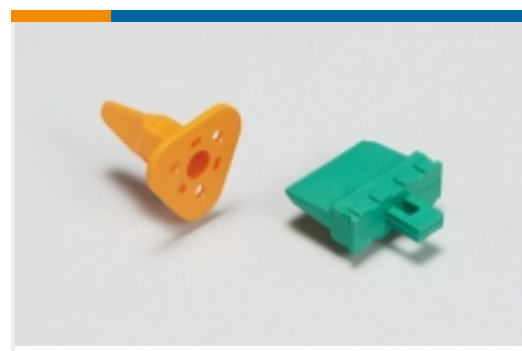


TE Part # 2203807-1  
Cap Ass'y, 3P Sealed, Key A


## Also in the Series | MCON Interconnection System




Automotive Connector Caps & Covers (21)




Automotive Connector Locks & Position Assurance(11)




Automotive Housings(288)




Automotive Terminals(119)



Connector Seals & Cavity Plugs(11)



Insertion & Extraction Tools(31)



Other Automotive Connector Accessories(2)



PCB Headers & Receptacles(2)

## Customers Also Bought



TE Part #1-318059-0  
FLOATING SHEAR, FRONT



TE Part #1338293-7  
FLOATING SHEAR



TE Part #1803190-4  
ANVIL, WIRE



TE Part #2-1803190-3  
ANVIL, WIRE



## Documents

### Product Drawings

[MCON 1.2 CB TAB SWS SN](#)

English

[MCON 1.2 CB TAB SWS SN](#)

English

[MCON 1.2 CB TAB SWS SN](#)

English

### CAD Files

[3D PDF](#)

3D

Customer View Model

[ENG\\_CVM\\_CVM\\_2141116-1\\_A.2d\\_dxf.zip](#)

English

Customer View Model

[ENG\\_CVM\\_CVM\\_2141116-1\\_A.3d\\_igs.zip](#)

English

Customer View Model

[ENG\\_CVM\\_CVM\\_2141116-1\\_A.3d\\_stp.zip](#)

English

By downloading the CAD file I accept and agree to the [Terms and Conditions](#) of use.

### Datasheets & Catalog Pages

[MCON Interconnection System](#)

English

### Product Specifications





[Application Specification](#)

English

[Application Specification](#)

German

[Application Specification](#)

English