

1-968050-1 ✓ ACTIVE

TE Internal #: 1-968050-1

Special Purpose Terminals, Tab, 11 – 9 AWG Wire Size, 4 – 6 mm<sup>2</sup>

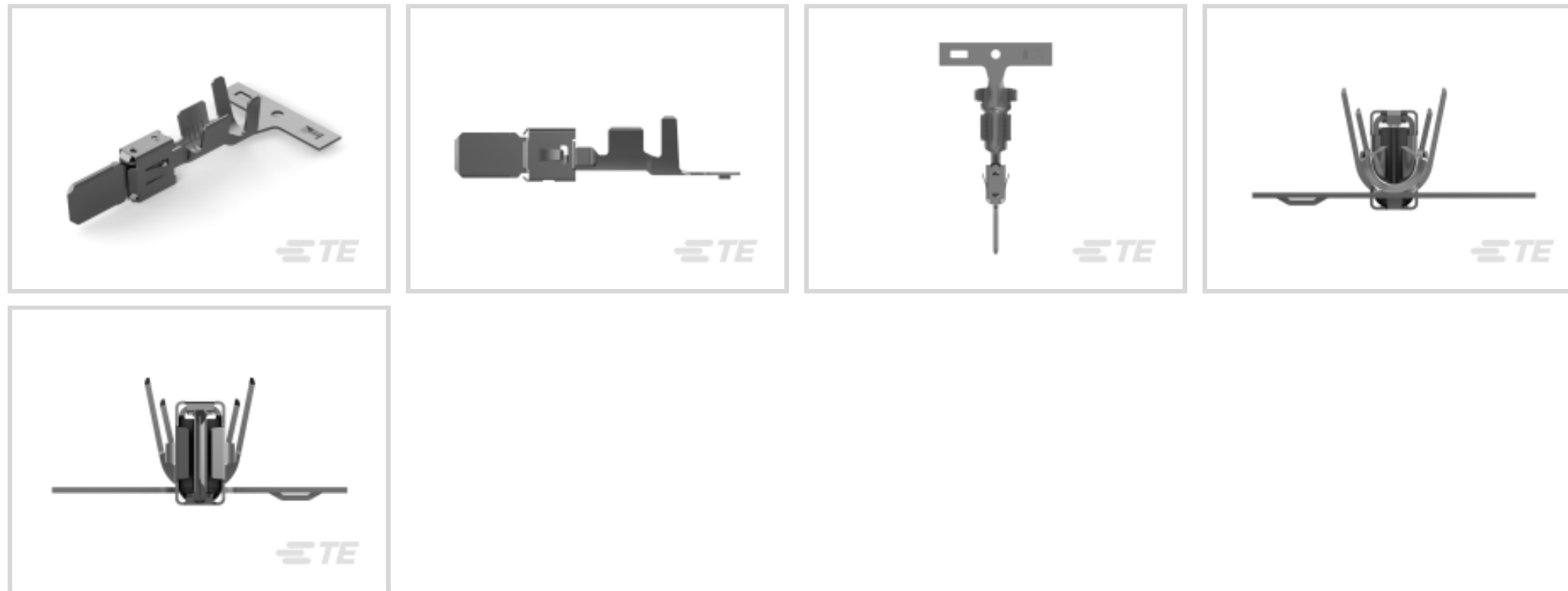
Wire Size, Tin Plating, Length 1.134 in [28.8 mm], Reel, Wire

Insulation Support

[View on TE.com >](#)



Terminals & Splices > Special Purpose Terminals



Special Purpose Terminal Type: **Tab**

Wire Size: **4 – 6 mm<sup>2</sup>**

Terminal Material Thickness: **.38 mm [ .015 in ]**

Terminal Plating Material: **Tin**

## Features

### Product Type Features

Sealable	No
----------	----

### Configuration Features

Compatible With Wire & Cable Type	Discrete Wire
-----------------------------------	---------------

### Contact Features

Barrel Type	Open
Special Purpose Terminal Type	Tab
Terminal Plating Material	Tin
Terminal Orientation	Straight

### Mechanical Attachment

Wire Insulation Support	With
-------------------------	------

### Dimensions

Wire Size	4 – 6 mm <sup>2</sup>
Terminal Material Thickness	.38 mm [.015 in]
Product Length	28.8 mm [1.134 in]
Compatible Insulation Diameter (Max)	5.2 mm [.205 in]



Compatible Insulation Diameter Range	4 – 5.2 mm [.157 – .205 in]
--------------------------------------	-----------------------------

### Usage Conditions

Insulation Option	Uninsulated
Operating Temperature Range	-40 – 130 °C [-40 – 266 °F]

### Packaging Features

Packaging Quantity	1500
Packaging Method	Reel

### Product Compliance

[For compliance documentation, visit the product page on TE.com>](#)

EU RoHS Directive 2011/65/EU	Compliant
EU ELV Directive 2000/53/EC	Compliant
China RoHS 2 Directive MIIT Order No 32, 2016	No Restricted Materials Above Threshold
EU REACH Regulation (EC) No. 1907/2006	Current ECHA Candidate List: JUNE 2023 (235) Candidate List Declared Against: JUNE 2023 (235) Does not contain REACH SVHC
Halogen Content	Low Halogen - Br, Cl, F, I < 900 ppm per homogenous material. Also BFR/CFR/PVC Free
Solder Process Capability	Not applicable for solder process capability

#### Product Compliance Disclaimer

This information is provided based on reasonable inquiry of our suppliers and represents our current actual knowledge based on the information they provided. This information is subject to change. The part numbers that TE has identified as EU RoHS compliant have a maximum concentration of 0.1% by weight in homogenous materials for lead, hexavalent chromium, mercury, PBB, PBDE, DBP, BBP, DEHP, DIBP, and 0.01% for cadmium, or qualify for an exemption to these limits as defined in the Annexes of Directive 2011/65/EU (RoHS2). Finished electrical and electronic equipment products will be CE marked as required by Directive 2011/65/EU. Components may not be CE marked. Additionally, the part numbers that TE has identified as EU ELV compliant have a maximum concentration of 0.1% by weight in homogenous materials for lead, hexavalent chromium, and mercury, and 0.01% for cadmium, or qualify for an exemption to these limits as defined in the Annexes of Directive 2000/53/EC (ELV). Regarding the REACH Regulation, the information TE provides on SVHC in articles for this part number is based on the latest European Chemicals Agency (ECHA) 'Guidance on requirements for substances in articles' posted at this URL: <https://echa.europa.eu/guidance-documents/guidance-on-reach>

### Compatible Parts

TE Part # 4-1579007-3  
EXTRACTION TOOL KIT

TE Part # 1-1579007-6  
EXTRACTION TOOL

TE Part # CAT-T4827-CH8172  
Timer Connector Housing

TE Part # 2305570-1  
Strip Terminal Cutter-Side Feed-No Crimp

TE Part # 2836646-2  
OCEAN\_2.0\_APPLICATOR-S-160F210OV

TE Part # 7-2836646-2  
OCEAN\_2.0\_APPLICATOR-S-160F210OV

**KIT**  
REPRESENTATION ONLY

TE Part # 7-2836646-7  
OCEAN\_2.0\_SPARE\_PART\_KIT-160F210OV

TE Part # 968048-1  
KREUZKONTAKT

TE Part # 2837557-2  
APPLICATOR TO MAKE LOOSE PIECE TERMINALS

TE Part # 7-2837557-7  
TOOLING KIT TO MAKE LOOSE PIECE TERMINAL

## Customers Also Bought

TE Part #962496  
FF 250 TAB HSG 1P NYLON CLEAR

TE Part #927852-7  
PL 250 REC TERMINAL 20-17 AWG PTPPB

TE Part #1456867-3  
PLG ASSY,2X8,UNSEALD, 0.64,Gen

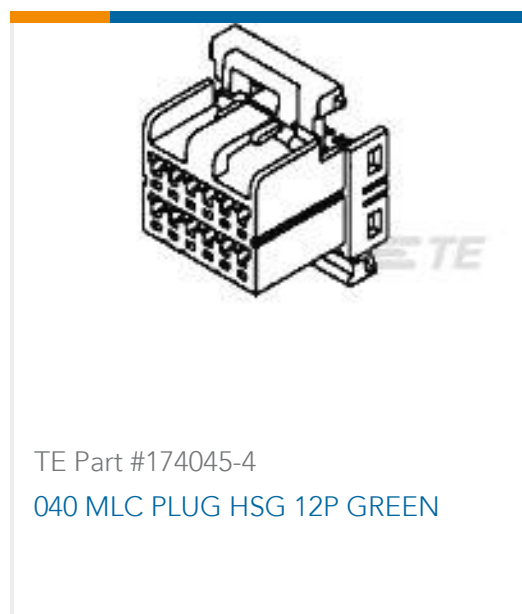
TE Part #1924968-4  
Contact, male 0.64, 18 AWG

TE Part #1241860-2  
TIMER, RECEPTACLE AND TAB

TE Part #174927-1  
070 MLC W-W PLUG HSG 15P

TE Part #1924955-4  
CONTACT,FEMALE0.64,18AWG, UNSEALED

TE Part #1-2840573-2  
PCON12,TERMINAL,FAM SLD/UNSLD



## Documents

### Product Drawings

[SPECIAL TERMINAL 11-10 AWG PTPB](#)

English

[SPECIAL TERMINAL 11-10 AWG PTPB](#)

English

### CAD Files

[3D PDF](#)

3D

Customer View Model

[ENG\\_CVM\\_CVM\\_1-968050-1\\_A.2d\\_dxf.zip](#)

English

Customer View Model

[ENG\\_CVM\\_CVM\\_1-968050-1\\_A.3d\\_igs.zip](#)

English

Customer View Model

[ENG\\_CVM\\_CVM\\_1-968050-1\\_A.3d\\_stp.zip](#)

English

By downloading the CAD file I accept and agree to the [Terms and Conditions](#) of use.

### Product Specifications

[Application Specification](#)

English