



GRACE INERTIA 2.5

TE Internal #: 1871859-1

Socket Contact, Tin, 50 VAC, 50 VDC, Locking Lance Contact Retention, Discrete Wire, 28 – 22 AWG Wire Size, GRACE INERTIA 2.5

[View on TE.com >](#)

Connectors > Contacts > Connector Contacts > Sig GRACE INERTIA Receptacle



Contact Type: **Socket**

Contact Mating Area Plating Material: **Tin**

Operating Voltage: **50 VDC**

Contact Retention Within Housing: **With**

[All Sig GRACE INERTIA Receptacle \(8\)](#)

Features

Configuration Features

Compatible With Wire & Cable Type	Discrete Wire
-----------------------------------	---------------

Electrical Characteristics

Insulation Resistance	1000 MΩ
Operating Voltage	50 VDC

Contact Features

Mating Tab Width	.5 mm[.02 in]
Mating Tab Thickness	.46 mm[.018 in]
PCB Contact Termination Area Plating Material	Tin
Contact Type	Socket
Contact Mating Area Plating Material	Tin
Contact Retention Within Housing	With
Contact Base Material	Copper Alloy
Contact Current Rating (Max)	2.5 A



Termination Features

Rectangular Termination Post & Tail Thickness	.5 mm[.02 in]
Rectangular Termination Post & Tail Width	.7 mm[.027 in]
Termination Method to Wire & Cable	Crimp
Product Terminates To	Wire & Cable

Mechanical Attachment

Contact Retention Type Within Housing	Locking Lance
---------------------------------------	---------------

Dimensions

Compatible Insulation Diameter Range	1.08 – 1.9 mm[.043 – .075 in]
Wire Size	.079 – .38 mm ²

Usage Conditions

Operating Temperature Range	-30 – 105 °C[-22 – 221 °F]
-----------------------------	----------------------------

Operation/Application

Circuit Application	Signal
---------------------	--------

Packaging Features

Packaging Quantity	6000
Packaging Method	Reel

Product Compliance

[For compliance documentation, visit the product page on TE.com>](#)

EU RoHS Directive 2011/65/EU	Compliant
EU ELV Directive 2000/53/EC	Compliant
China RoHS 2 Directive MIIT Order No 32, 2016	No Restricted Materials Above Threshold
EU REACH Regulation (EC) No. 1907/2006	Current ECHA Candidate List: JUNE 2023 (235) Candidate List Declared Against: JUNE 2023 (235) Does not contain REACH SVHC
Halogen Content	Low Halogen - Br, Cl, F, I < 900 ppm per homogenous material. Also BFR/CFR/PVC Free
Solder Process Capability	Not applicable for solder process capability

Product Compliance Disclaimer

This information is provided based on reasonable inquiry of our suppliers and represents our current actual knowledge based on the information they provided. This information is subject to change. The part numbers that TE has identified as EU RoHS compliant have a maximum concentration of 0.1% by weight in homogenous materials for lead, hexavalent chromium, mercury, PBB, PBDE, DBP, BBP, DEHP, DIBP, and 0.01% for cadmium, or qualify for an exemption to these limits as defined in the Annexes of Directive 2011/65/EU (RoHS2). Finished electrical and electronic equipment products will be CE marked as required by Directive 2011/65/EU. Components may not be CE marked. Additionally, the part numbers that TE has identified as EU ELV compliant have a maximum concentration of 0.1% by weight in homogenous materials for lead, hexavalent chromium, and mercury, and 0.01% for cadmium, or qualify for an exemption to these limits as defined in the Annexes of Directive 2000/53/EC (ELV). Regarding the REACH Regulation, the information TE provides on SVHC in articles for this part number is based on the latest European Chemicals Agency (ECHA) 'Guidance on requirements for substances in articles' posted at this URL: <https://echa.europa.eu/guidance-documents/guidance-on-reach>

Compatible Parts



TE Part # 1747066-4
GRACE INERTIA CONN 2.5 PLUG
HSG 4P NATUR



TE Part # 1747066-2
GRACE INERTIA CONN 2.5 PLUG
HSG 2P NATUR



TE Part # 1747066-6
GRACE INERTIA CONN 2.5 PLUG
HSG 6P NATUR



TE Part # 1747066-5
GRACE INERTIA CONN 2.5 PLUG
HSG 5P NATUR



TE Part # 1-1747066-2
GRACE INERTIA CONN 2.5 PLUG
HSG 2P RED



TE Part # 1747066-3
GRACE INERTIA CONN 2.5 PLUG
HSG 3P NATUR



TE Part # 2-1747066-4
GRACE INERTIA CONN 2.5 PLUG
HSG 4P BLUE



TE Part # 2134384-1
GIC 2.5 REC CONT TIN PLATE TYPE
(2L TYPE)



TE Part # 1747066-8
GRACE INERTIA CONN 2.5 PLUG
HSG 8P NATUR



TE Part # 2-1747066-6
GRACE INERTIA CONN 2.5 PLUG
HSG 6P BLUE



TE Part # 1-1747066-6
GRACE INERTIA CONN 2.5 PLUG
HSG 6P RED



TE Part # 2151127-1
OCEAN_2.0_APPLICATOR-S-046F070F



TE Part # 2151127-2
OCEAN_2.0_APPLICATOR-S-046F070FA



TE Part # 2305570-1
Strip Terminal Cutter-Side Feed-No Crimp



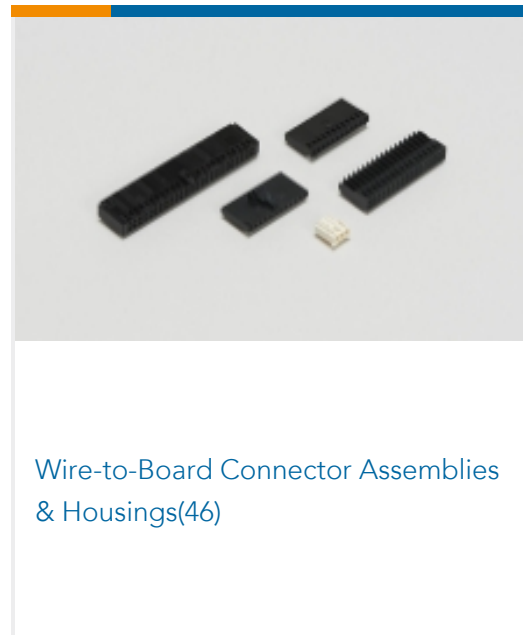
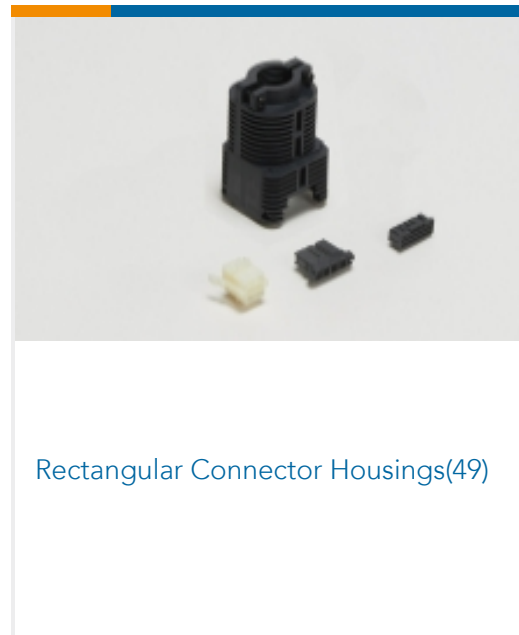
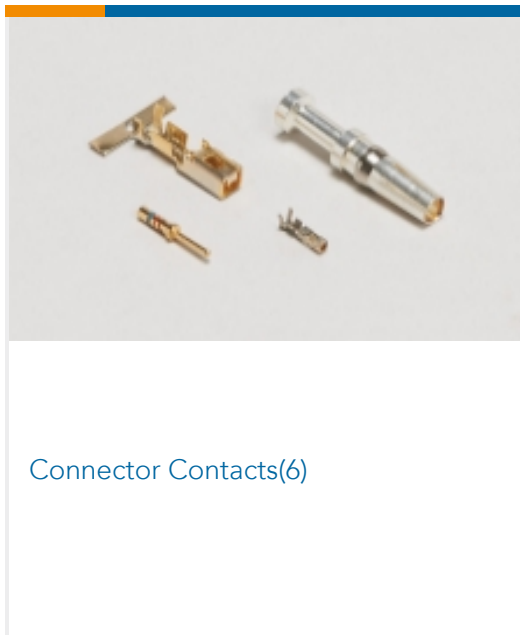
TE Part # 2391842-2
025 2P PLUG HSG FOR HEV LATCH RELAY



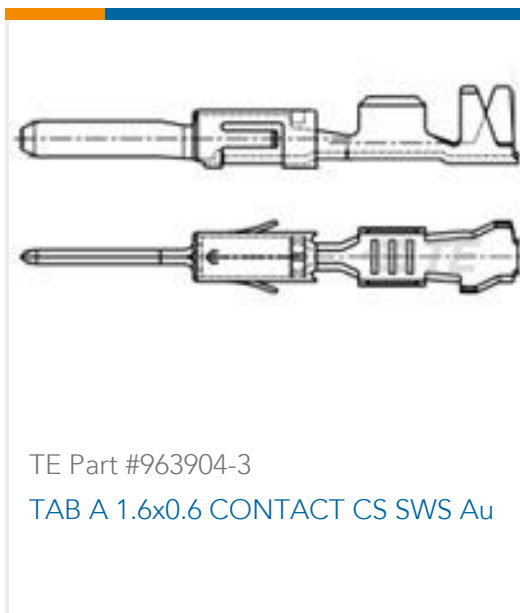
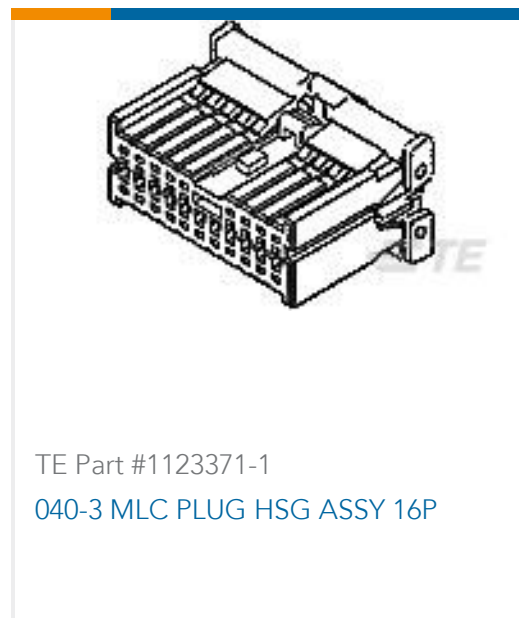
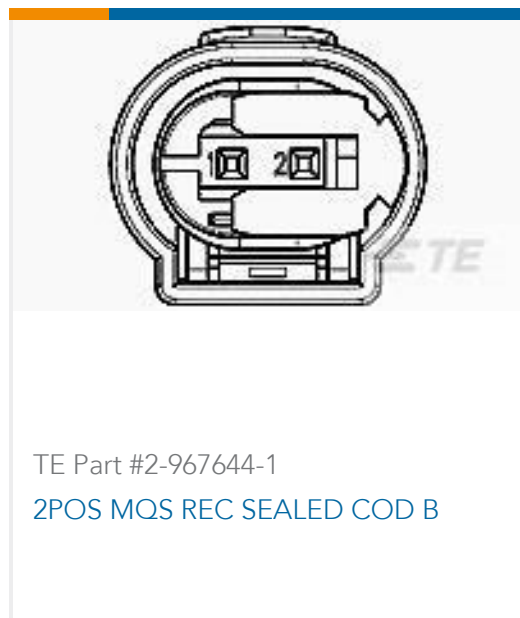
TE Part # 7-2151127-1
OCEAN_2.0_APPLICATOR-S-046F070F



Also in the Series | GRACE INERTIA 2.5



Customers Also Bought





Documents

Product Drawings

[GIC 2.5 REC CONT TIN PLATE TYPE \(MTYPE\)](#)

English

CAD Files

[3D PDF](#)

3D

Customer View Model

[ENG_CVM_CVM_1871859-1_C.2d_dxf.zip](#)

English

Customer View Model

[ENG_CVM_CVM_1871859-1_C.3d_igs.zip](#)

English

Customer View Model

[ENG_CVM_CVM_1871859-1_C.3d_stp.zip](#)

English

By downloading the CAD file I accept and agree to the [Terms and Conditions](#) of use.

Product Specifications

[Application Specification](#)

English