

173645-3 ✓ ACTIVE

AMP | Multilock Connector System

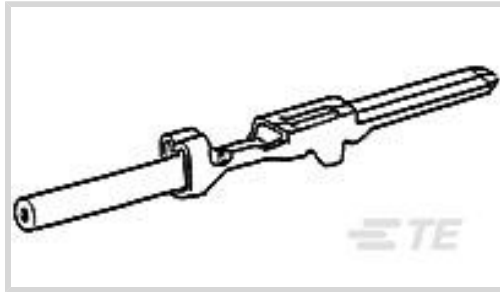
TE Internal #: 173645-3

Automotive Terminals, Tab, Mating Tab Width 1.8 mm [.071 in], Tab Thickness .64 mm [.025 in], 20 – 16 AWG Wire Size, Multilock Connector System

[View on TE.com >](#)



Terminals & Splices > Automotive Terminals > MULTILOCK, RECEPTACLE AND TAB



Terminal Type: **Tab**

Mating Tab Width: **1.8 mm [.071 in]**

Mating Tab Thickness: **.64 mm [.025 in]**

Terminal Transmits: **0 – 24 A (Low Power)**

Wire Size: **20 – 16 AWG**

[All MULTILOCK, RECEPTACLE AND TAB \(110\)](#)

## Features

### Product Type Features

Sealable	No
Primary Locking Feature	Clean Body

### Contact Features

Contact Size	1.8mm
Contact Fabrication	Stamped & Formed
Wire Contact Termination Area Plating Material	Gold
Typical Current Rating	14 A
Crimp Type	F-Crimp
Terminal Type	Tab
Mating Tab Width	1.8 mm[.071 in]
Mating Tab Thickness	.64 mm[.025 in]
Interface Plating	Gold (Au)

### Termination Features

Termination Method to Wire & Cable	Crimp
Product Terminates To	Wire

### Dimensions

Compatible Insulation Diameter Range	2 – 2.6 mm[.079 – .102 in]
--------------------------------------	----------------------------



Wire Size	.5 – 1.25 mm <sup>2</sup>
Wire Size Search	16 AWG, 17 AWG, 18 AWG, 19 AWG, 20 AWG

### Usage Conditions

Insulation Option	Uninsulated
Operating Temperature (Max)	80 °C, 85 °C, 90 °C, 100 °C, 105 °C [176 °F] [185 °F][194 °F][212 °F][221 °F]
Operating Temperature Range	-30 – 105 °C [-22 – 221 °F]

### Packaging Features

Packaging Quantity	3000
Packaging Method	Reel

### Other

Terminal Transmits	0 – 24 A (Low Power)
--------------------	----------------------

## Product Compliance

[For compliance documentation, visit the product page on TE.com>](#)

EU RoHS Directive 2011/65/EU	Compliant
EU ELV Directive 2000/53/EC	Compliant
China RoHS 2 Directive MIIT Order No 32, 2016	No Restricted Materials Above Threshold
EU REACH Regulation (EC) No. 1907/2006	Current ECHA Candidate List: JUNE 2023 (235) Candidate List Declared Against: JUNE 2023 (235) Does not contain REACH SVHC
Halogen Content	Low Halogen - Br, Cl, F, I < 900 ppm per homogenous material. Also BFR/CFR/PVC Free
Solder Process Capability	Not applicable for solder process capability

#### Product Compliance Disclaimer

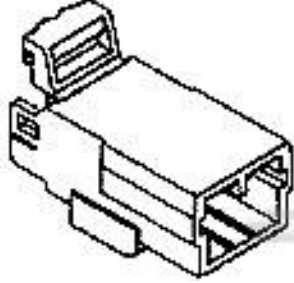
This information is provided based on reasonable inquiry of our suppliers and represents our current actual knowledge based on the information they provided. This information is subject to change. The part numbers that TE has identified as EU RoHS compliant have a maximum concentration of 0.1% by weight in homogenous materials for lead, hexavalent chromium, mercury, PBB, PBDE, DBP, BBP, DEHP, DIBP, and 0.01% for cadmium, or qualify for an exemption to these limits as defined in the Annexes of Directive 2011/65/EU (RoHS2). Finished electrical and electronic equipment products will be CE marked as required by Directive 2011/65/EU. Components may not be CE marked. Additionally, the part numbers that TE has identified as EU ELV compliant have a maximum concentration of 0.1% by weight in homogenous materials for lead, hexavalent chromium, and mercury, and 0.01% for cadmium, or qualify for an exemption to these limits as defined in the Annexes of Directive 2000/53/EC (ELV). Regarding the REACH Regulation, the information TE provides

on SVHC in articles for this part number is based on the latest European Chemicals Agency (ECHA) 'Guidance on requirements for substances in articles' posted at this URL: <https://echa.europa.eu/guidance-documents/guidance-on-reach>

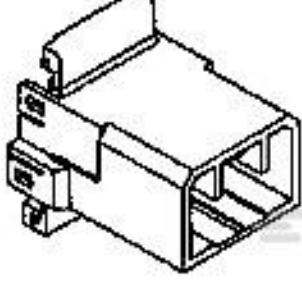
## Compatible Parts



TE Part # CAT-M9194-CH8172  
MULTILOCK, CONNECTOR HOUSING



TE Part # 174930-1  
070 MLC W-W CAP HSG 6P SGL



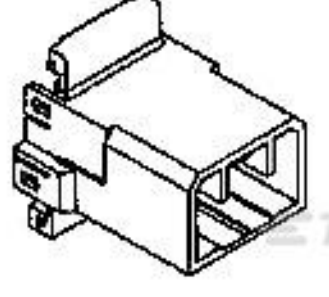
TE Part # 174936-1  
070 MLC W-W CAP HSG 20P



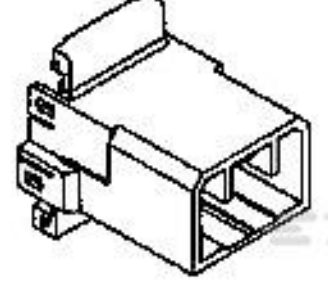
TE Part # 91573-1  
CCII 070 SERIES REC TAB 20-16 ASSY



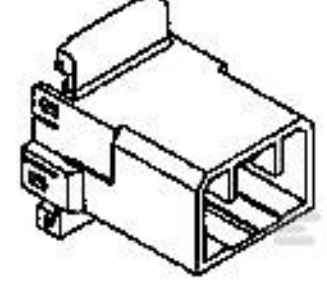
TE Part # 755430-2  
EXT, TOOL ASSY



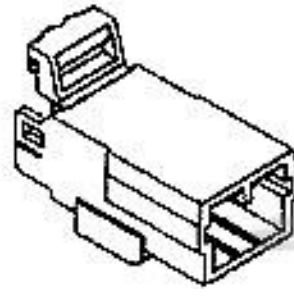
TE Part # 174933-1  
070 MLC W-W CAP HSG 12P



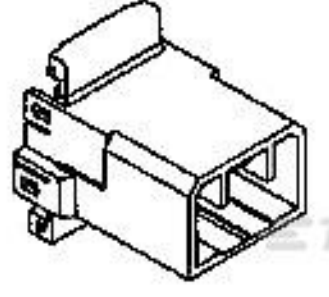
TE Part # 174935-1  
070 MLC W-W CAP HSG 18P



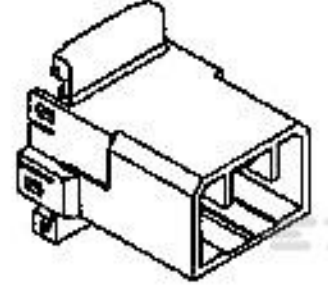
TE Part # 174934-1  
070 MLC W-W CAP HSG 14P



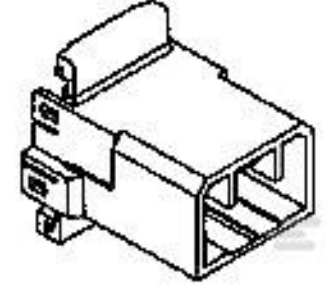
TE Part # 174928-2  
070 MLC W-W CAP HSG 3P BLACK



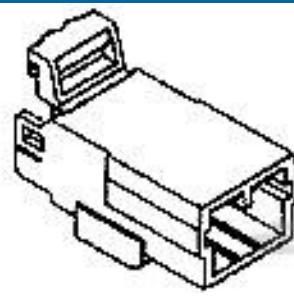
TE Part # 175657-1  
070 MLC W-W CAP HSG 6P



TE Part # 174931-1  
070 MLC W-W CAP HSG 8P NATURAL



TE Part # 174932-1  
070 MLC W-W CAP HSG 10P



TE Part # 174929-2  
070 MLC W-W CAP HSG 4P B



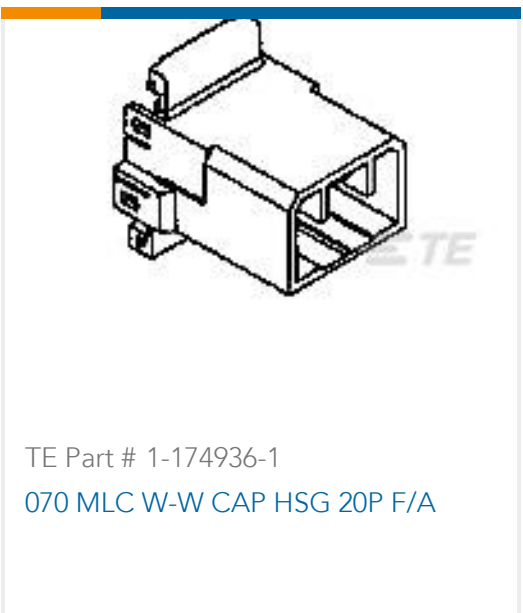
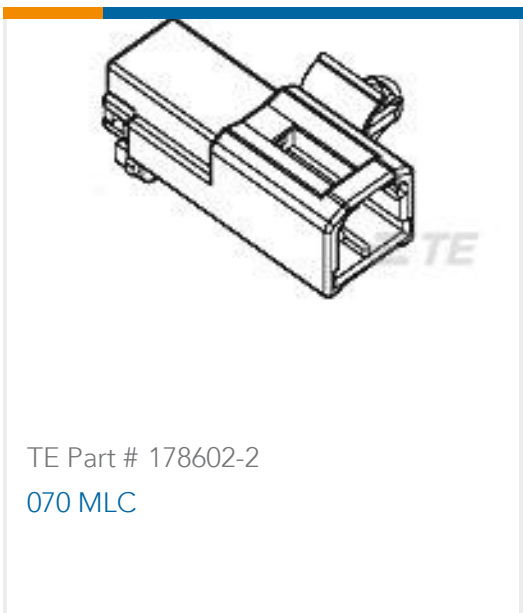
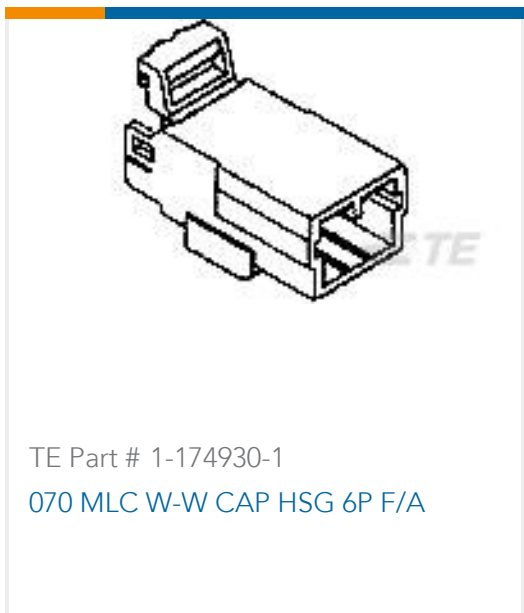
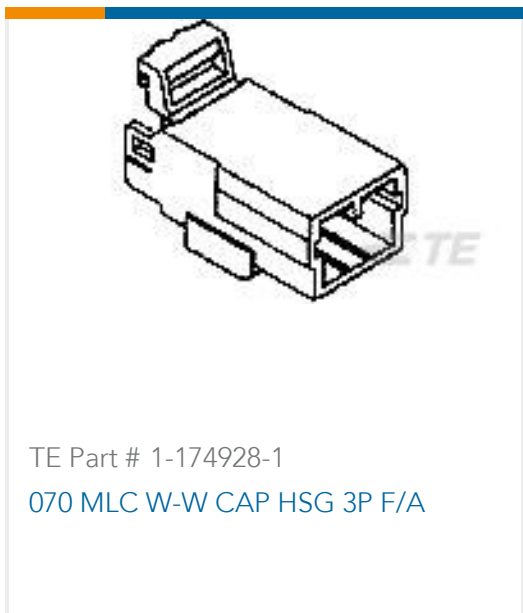
TE Part # 174460-2  
070 MULTILOCK 2P CAP HSG



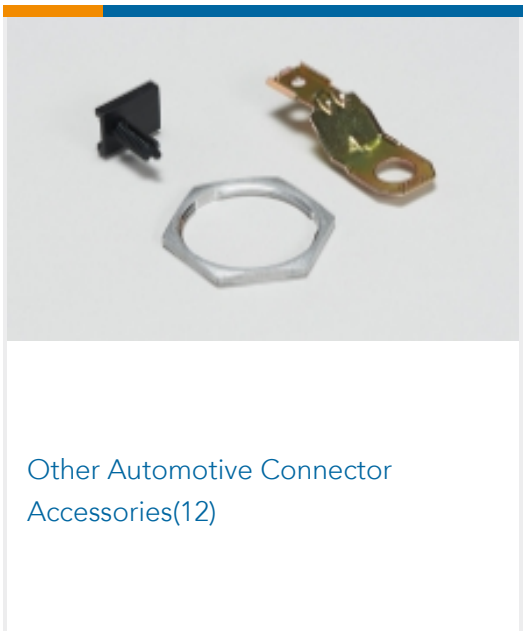
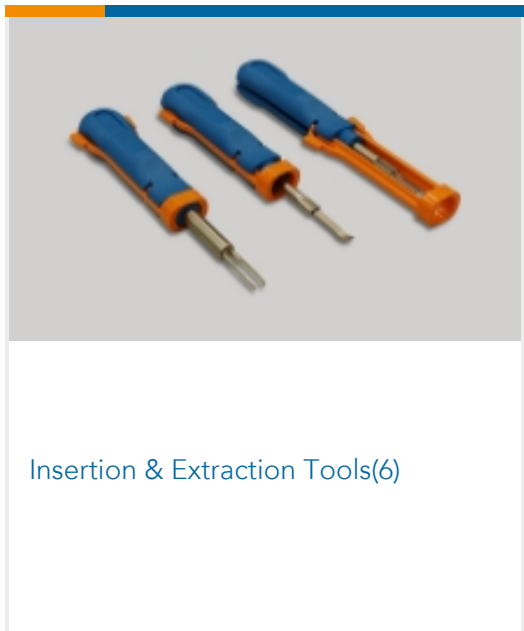
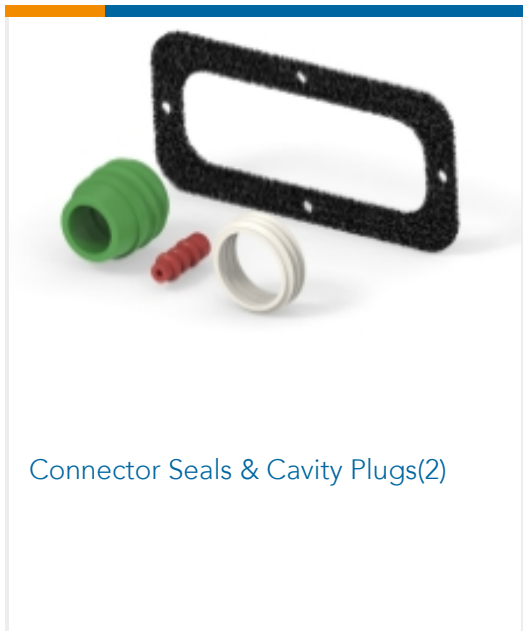
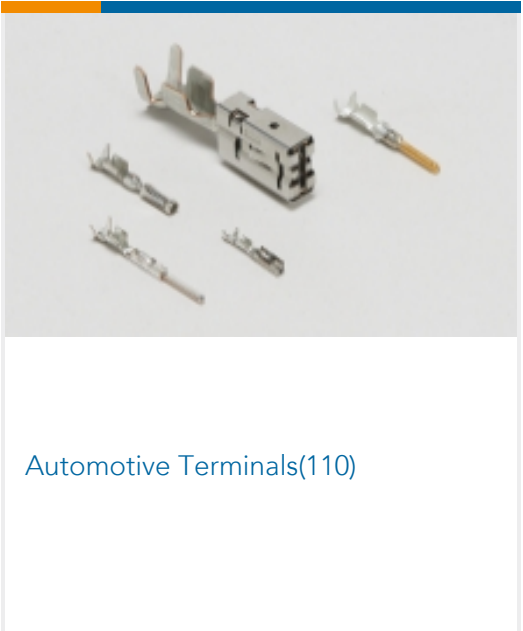
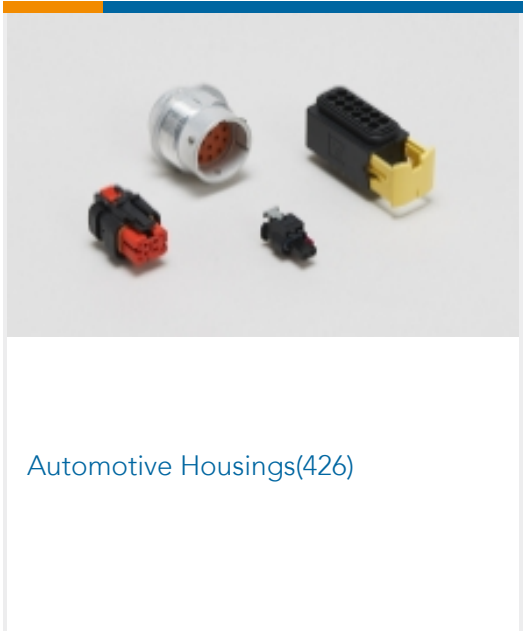
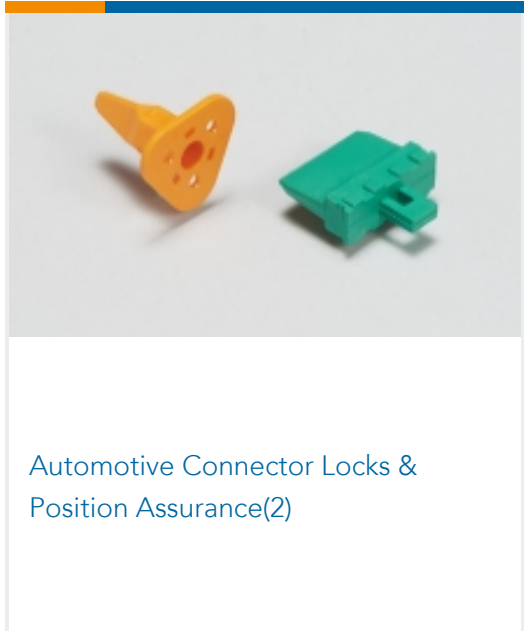
TE Part # 174928-1  
070 MLC W-W CAP HSG 3P NATURAL



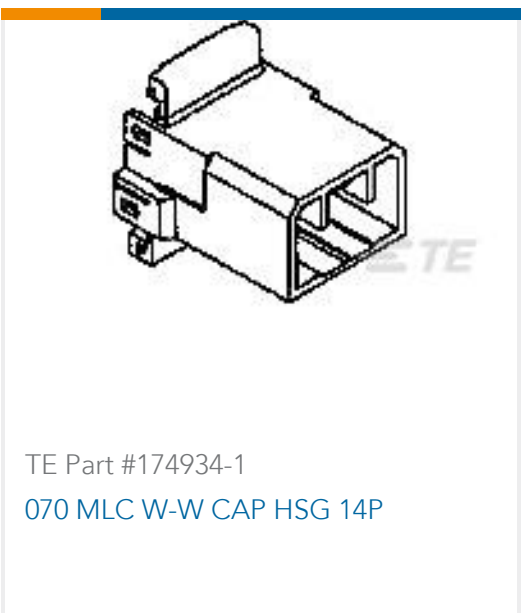
TE Part # 174460-1  
070 MULTILOCK 2P CAP HSG



Also in the Series | **Multilock Connector System**



Customers Also Bought





## Documents

### Product Drawings

070 MLC TAB CONT 20-16 GOLD

Japanese

### CAD Files

3D PDF

3D

Customer View Model

[ENG\\_CVM\\_CVM\\_173645-3\\_L.2d\\_dxf.zip](#)

English

Customer View Model

[ENG\\_CVM\\_CVM\\_173645-3\\_L.3d\\_igs.zip](#)

English

Customer View Model

[ENG\\_CVM\\_CVM\\_173645-3\\_L.3d\\_stp.zip](#)

English

Customer View Model

[ENG\\_CVM\\_173645-3\\_E1.3d\\_igs.zip](#)

English

Customer View Model

[ENG\\_CVM\\_173645-3\\_E1.3d\\_stp.zip](#)

English

Customer View Model

[ENG\\_CVM\\_173645-3\\_E1.2d\\_dxf.zip](#)

English

3D PDF

English

By downloading the CAD file I accept and agree to the [Terms and Conditions](#) of use.

### Datasheets & Catalog Pages

MULTILOCK Connector System

English

### Product Specifications

Application Specification

English



---

**Instruction Sheets**

**Instruction Sheet (non U.S.)**

English

**AMP Extraction Tool P/N 755430-2 for Extraction 070 Series Cont.**

English