

144432-1 ✓ ACTIVE



AMP | Junior Power Timer, Timer Connector System

TE Internal #: 144432-1

Automotive Terminals, Receptacle, Mating Tab Width 2.8 mm [.11 in], Tab Thickness .8 mm [.031 in], 17 – 12 AWG Wire Size, Timer Connector System

[View on TE.com >](#)

Terminals & Splices > Automotive Terminals



Terminal Type: **Receptacle**

Mating Tab Width: **2.8 mm [.11 in]**

Mating Tab Thickness: **.8 mm [.031 in]**

Terminal Transmits: **0 – 24 A (Low Power)**

Wire Size: **17 – 12 AWG**

Features

Product Type Features

Receptacle Style	180°
Sealable	No
Primary Locking Feature	Locking Lance

Contact Features

Contact Size	2.8mm
Contact Fabrication	Stamped & Formed
Wire Contact Termination Area Plating Material	Tin
Typical Current Rating	5 A
Crimp Type	F-Crimp
Terminal Type	Receptacle
Mating Tab Width	2.8 mm [.11 in]
Mating Tab Thickness	.8 mm [.031 in]
Interface Plating	Tin (Sn)

Termination Features

Termination Method to Wire & Cable	Crimp
Product Terminates To	Wire

Dimensions



Compatible Insulation Diameter Range	3.5 mm[.137 in]
Wire Size	1 – 3 mm ²
Wire Size Search	12 AWG, 13 AWG, 14 AWG, 15 AWG, 16 AWG, 17 AWG

Usage Conditions

Insulation Option	Uninsulated
Operating Temperature (Max)	80 °C, 85 °C, 90 °C, 100 °C[176 °F][185 °F] [194 °F][212 °F]
Operating Temperature Range	-40 – 100 °C[-40 – 212 °F]

Operation/Application

Compatible With Wire Base Material	Copper
------------------------------------	--------

Packaging Features

Packaging Quantity	3000
Packaging Method	Reel

Other

Terminal Transmits	0 – 24 A (Low Power)
--------------------	----------------------

Product Compliance

[For compliance documentation, visit the product page on TE.com>](#)

EU RoHS Directive 2011/65/EU	Compliant
EU ELV Directive 2000/53/EC	Compliant
China RoHS 2 Directive MIIT Order No 32, 2016	No Restricted Materials Above Threshold
EU REACH Regulation (EC) No. 1907/2006	Current ECHA Candidate List: JUNE 2023 (235) Candidate List Declared Against: JUNE 2023 (235) Does not contain REACH SVHC
Halogen Content	Low Halogen - Br, Cl, F, I < 900 ppm per homogenous material. Also BFR/CFR/PVC Free
Solder Process Capability	Not applicable for solder process capability

Product Compliance Disclaimer

This information is provided based on reasonable inquiry of our suppliers and represents our current actual knowledge based on the information they provided. This information is subject to change. The part numbers that TE has identified as EU RoHS compliant have a maximum concentration of 0.1% by weight in homogenous materials for lead, hexavalent chromium, mercury, PBB, PBDE, DBP, BBP, DEHP, DIBP, and 0.01% for cadmium, or qualify for an exemption to these limits as defined in the Annexes of Directive 2011/65/EU (RoHS2). Finished electrical and electronic equipment products

will be CE marked as required by Directive 2011/65/EU. Components may not be CE marked. Additionally, the part numbers that TE has identified as EU ELV compliant have a maximum concentration of 0.1% by weight in homogenous materials for lead, hexavalent chromium, and mercury, and 0.01% for cadmium, or qualify for an exemption to these limits as defined in the Annexes of Directive 2000/53/EC (ELV). Regarding the REACH Regulation, the information TE provides on SVHC in articles for this part number is based on the latest European Chemicals Agency (ECHA) 'Guidance on requirements for substances in articles' posted at this URL: <https://echa.europa.eu/guidance-documents/guidance-on-reach>

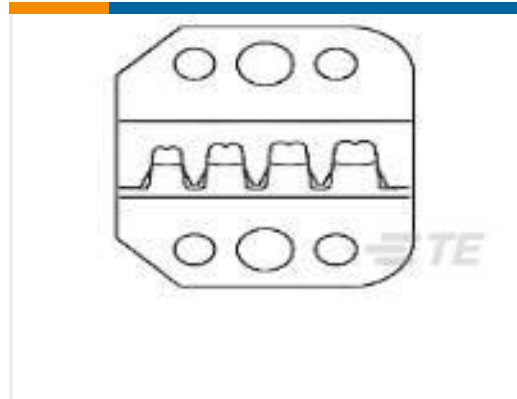
Compatible Parts



TE Part # 1579007-1
AUSDRUECKWERKZEUG



TE Part # CAT-T4827-CH8172
Timer Connector Housing



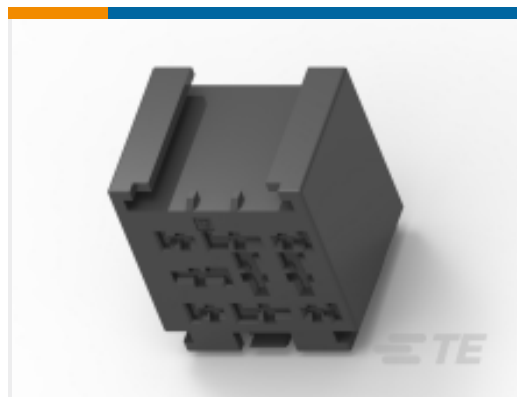
TE Part # 58570-2
PRO-CRIMPER DIE JR POWER TIMER



TE Part # 185402-1
MODULAR RELAY HOLDER



TE Part # 185403-1
MODULAR RELAY HOLDER



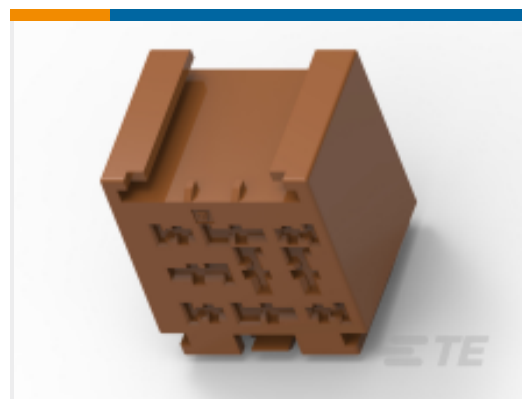
TE Part # 185403-2
MODULAR RELAY HOLDER



TE Part # 3-1579007-1
EXTRATION TOOL



TE Part # 185402-2
MODULAR RELAY HOLDER



TE Part # 185403-4
MODULAR RELAY HOLDER



TE Part # 2837084-1
OCEAN_2.0_APPLICATOR-S-110F155F



TE Part # 2837084-2
OCEAN_2.0_APPLICATOR-S-110F155F



TE Part # 7-2837084-1
OCEAN_2.0_APPLICATOR-S-110F155F



TE Part # 7-2837084-2
OCEAN_2.0_APPLICATOR-S-110F155F



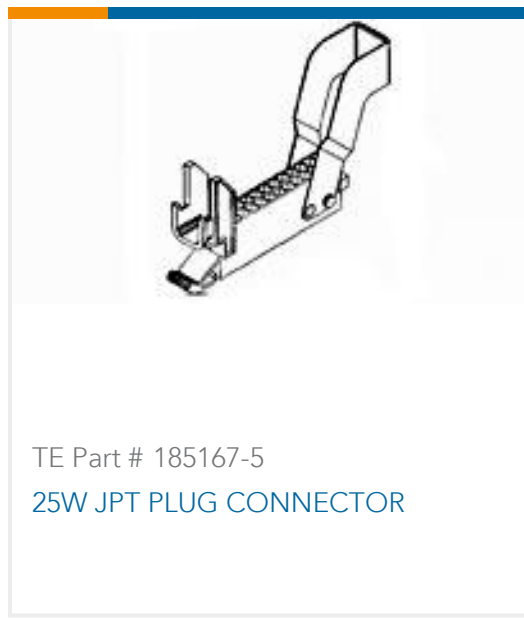
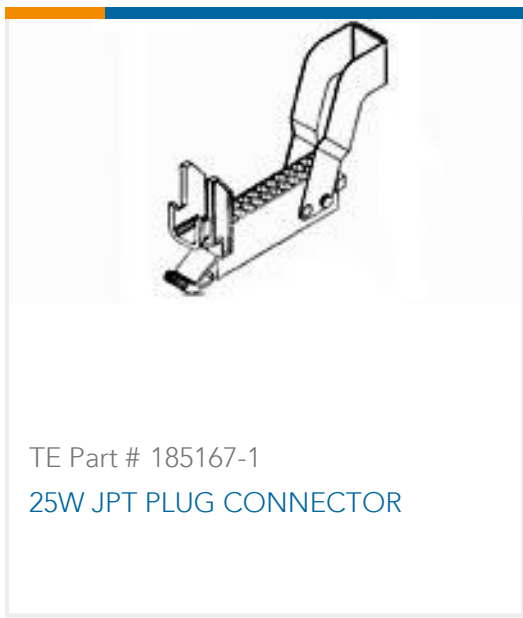
TE Part # 7-2837084-7
OCEAN_2.0_SPARE_PART_KIT-110F155F



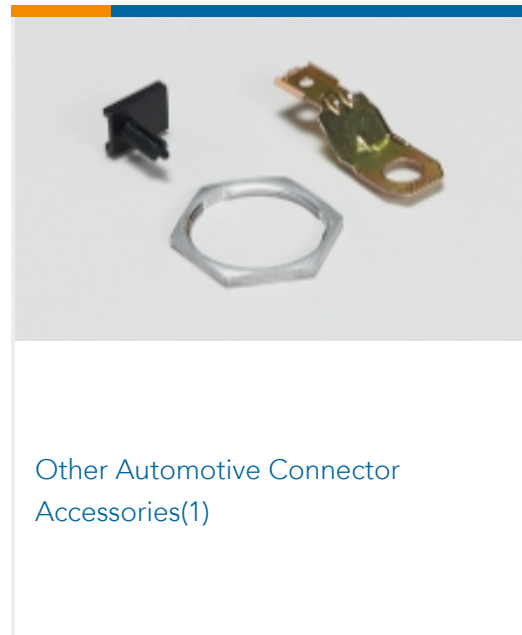
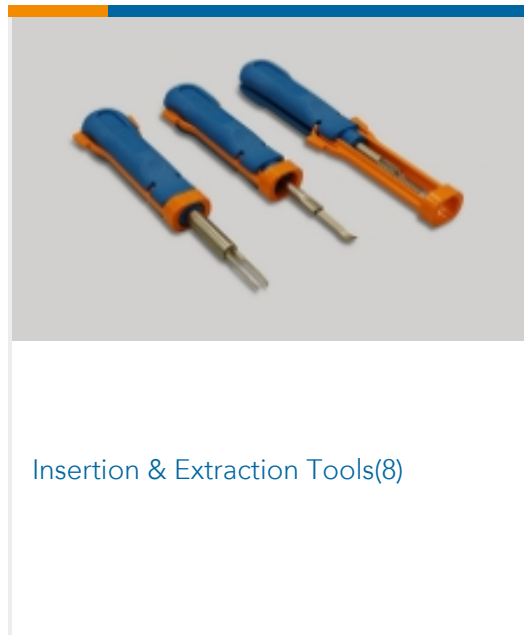
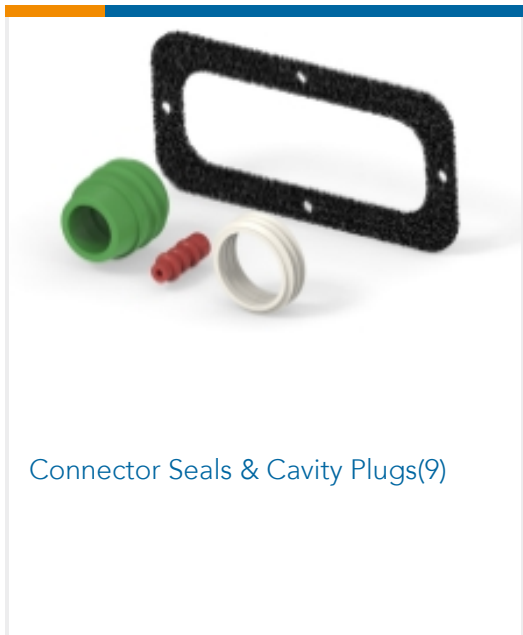
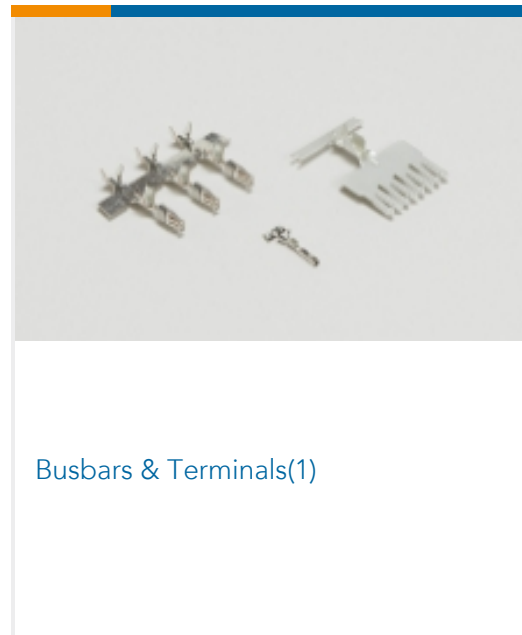
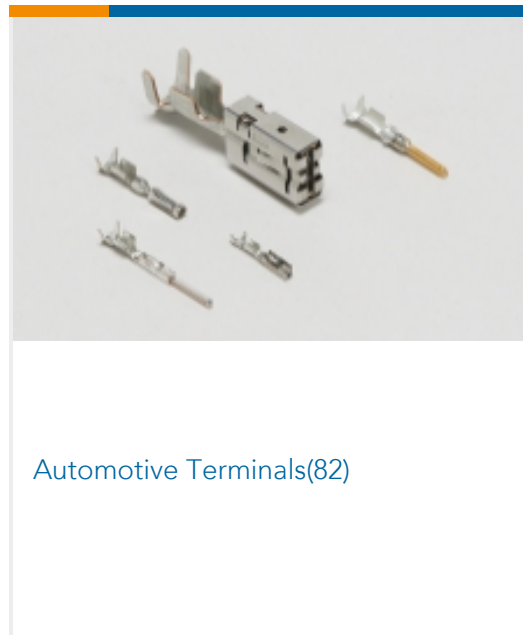
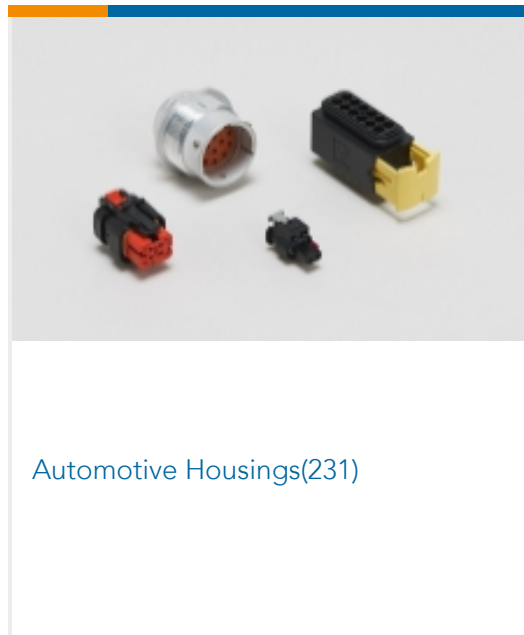
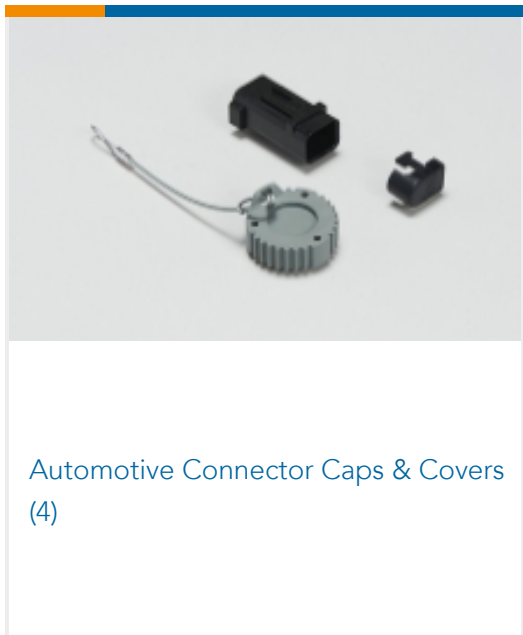
TE Part # 144471-5
CET 2 POS ASSY JPT



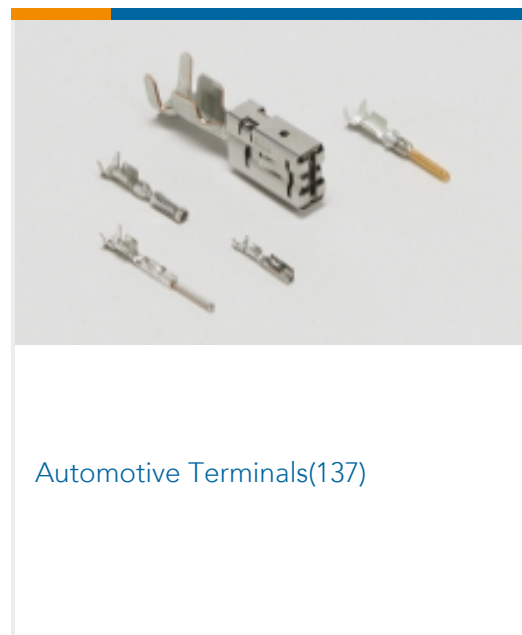
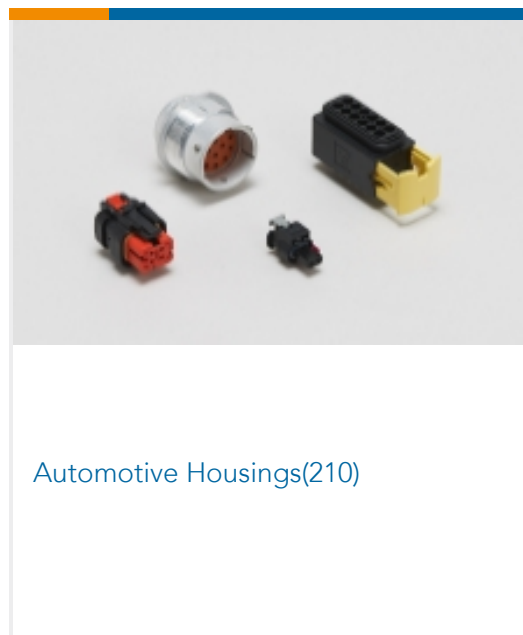
TE Part # 144473-6
CET 2 POS ASSY JPT

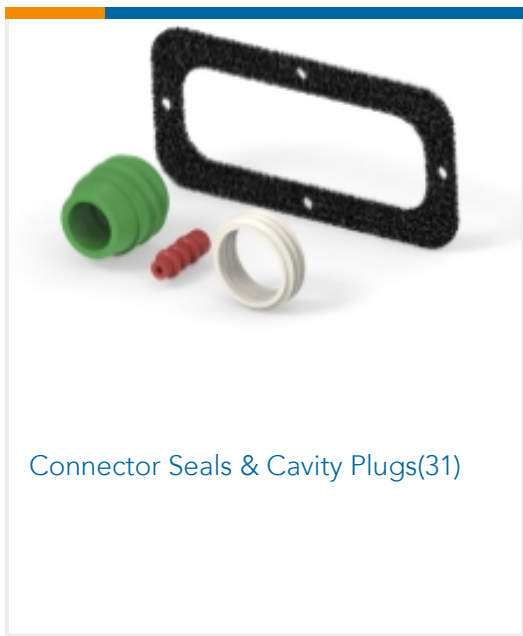


Also in the Series | Junior Power Timer

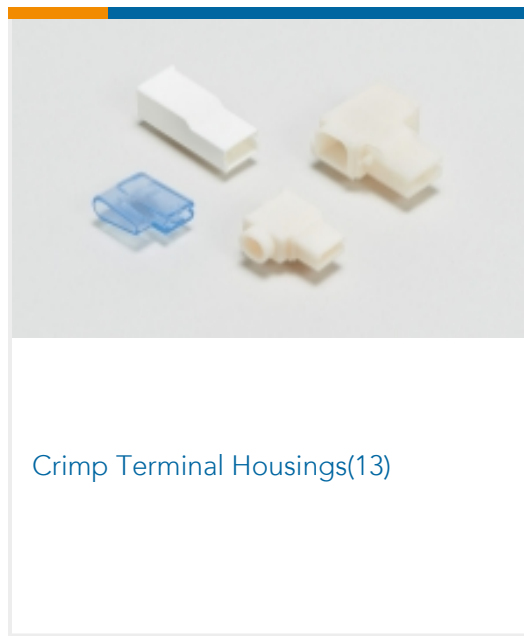


Also in the Series | Timer Connector System

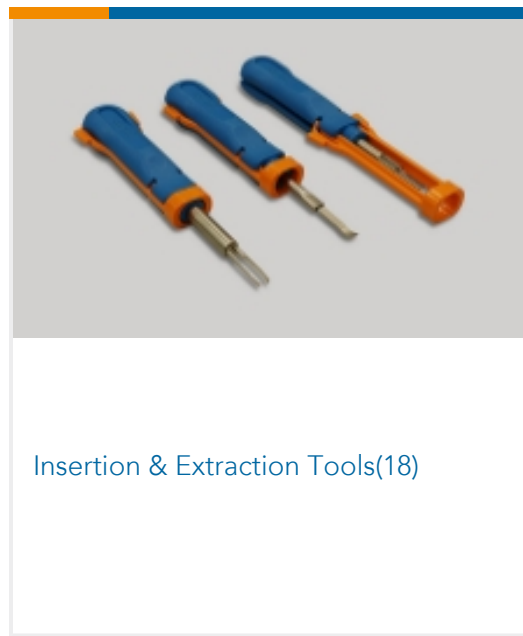




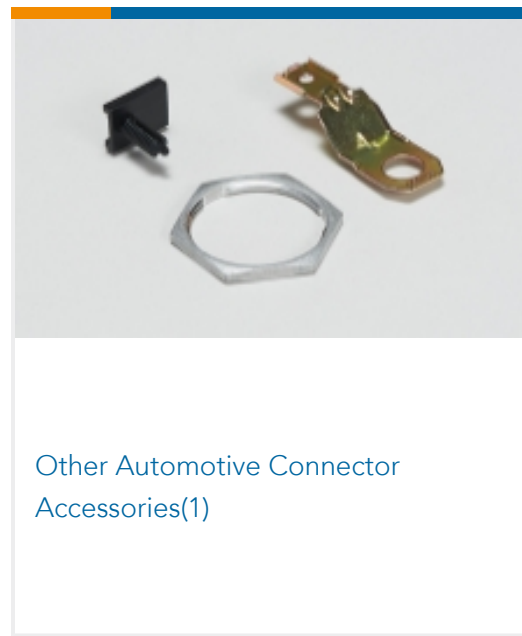
Connector Seals & Cavity Plugs(31)



Crimp Terminal Housings(13)



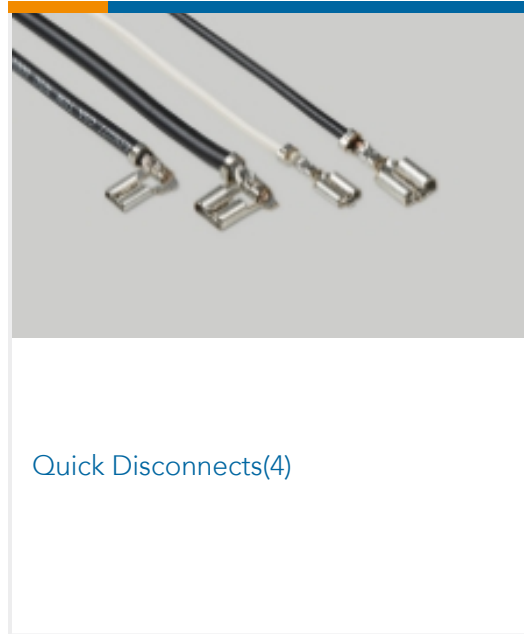
Insertion & Extraction Tools(18)



Other Automotive Connector Accessories(1)



PCB Headers & Receptacles(77)



Quick Disconnects(4)

Customers Also Bought



TE Part #1743632-2
HYB SLD 36P PLUG ASSY



TE Part #280621-1
MOD I CRIMP CONTACT



TE Part #1-967625-4
JUN-POW-TIM GEH 21P



TE Part #1-1703941-1
50POS MQS REC



TE Part #1801616-1
FUSES HOLDER 10 MINIFUSES



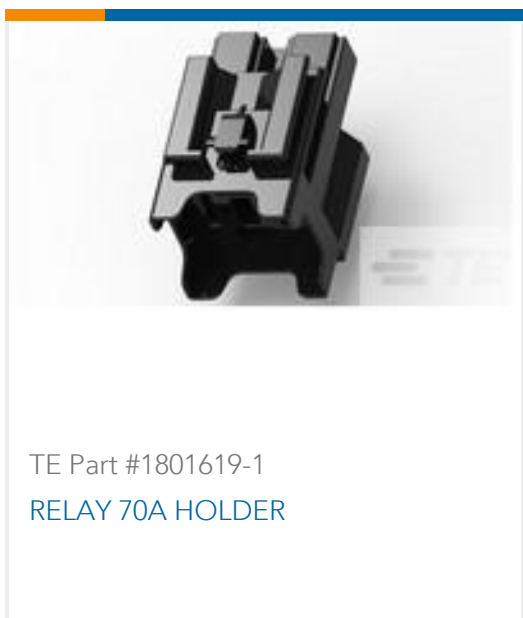
TE Part #1544966-2
8MM NG1+ TERMINAL



TE Part #1801176-5
2W RECEPTACLE HPSSL CONNECTOR GREEN



TE Part #1801179-3
3W RECEPTACLE HPSSL CONNECTOR GREY



TE Part #1801619-1
RELAY 70A HOLDER



TE Part #NB07596001
HTAT-24/6-0-150MM

Documents



Product Drawings

[JPT F REC 2.8 Contact SRC Sn](#)

English

CAD Files

[3D PDF](#)

3D

Customer View Model

[ENG_CVM_CVM_144432-1_N.2d_dxf.zip](#)

English

Customer View Model

[ENG_CVM_CVM_144432-1_N.3d_igs.zip](#)

English

Customer View Model

[ENG_CVM_CVM_144432-1_N.3d_stp.zip](#)

English

By downloading the CAD file I accept and agree to the [Terms and Conditions](#) of use.

Product Specifications

[Application Specification](#)

English