

1418850-3 ✓ ACTIVE

AMP | MCON Interconnection System

TE Internal #: 1418850-3

Automotive Terminals, Receptacle, Mating Tab Width 1.2 mm [.047 in], Tab Thickness .6 mm [.024 in], 17 – 15 AWG Wire Size, MCON Interconnection System

[View on TE.com >](#)



Terminals & Splices > Automotive Terminals > MCON Receptacle and Tab



Terminal Type: **Receptacle**

Mating Tab Width: **1.2 mm [.047 in]**

Mating Tab Thickness: **.6 mm [.024 in]**

Terminal Transmits: **0 – 24 A (Low Power)**

Wire Size: **17 – 15 AWG**

[All MCON Receptacle and Tab \(99\)](#)

Features

Product Type Features

| | |
|-------------------------|------------|
| Receptacle Style | 180° |
| Sealable | Yes |
| Primary Locking Feature | Clean Body |

Body Features

| | |
|--------------------|------------------------|
| Terminal Seal Type | Single Wire Seal (SWS) |
|--------------------|------------------------|

Contact Features

| | |
|----------------------|------------------|
| Contact Size | 1.2mm |
| Contact Fabrication | Stamped & Formed |
| Crimp Type | F-Crimp |
| Terminal Type | Receptacle |
| Mating Tab Width | 1.2 mm [.047 in] |
| Mating Tab Thickness | .6 mm [.024 in] |
| Interface Plating | Silver (Ag) |

Termination Features

| | |
|------------------------------------|-------|
| Termination Method to Wire & Cable | Crimp |
| Product Terminates To | Wire |



Dimensions

| | |
|--------------------------------------|-------------------------------|
| Compatible Insulation Diameter Range | 1.9 – 2.4 mm [.075 – .094 in] |
| Wire Size | 1 – 1.5 mm ² |
| Wire Size Search | 15 AWG, 16 AWG, 17 AWG |

Usage Conditions

| | |
|-----------------------------|--|
| Insulation Option | Uninsulated |
| Operating Temperature (Max) | 80 °C, 85 °C, 90 °C, 100 °C, 105 °C, 110 °C, 120 °C, 125 °C, 130 °C, 140 °C, 145 °C, 150 °C [176 °F][185 °F][194 °F][212 °F][221 °F][230 °F][248 °F][257 °F][266 °F][284 °F][293 °F][302 °F] |
| Operating Temperature Range | -40 – 150 °C [-40 – 302 °F] |

Operation/Application

| | |
|------------------------------------|--------|
| Compatible With Wire Base Material | Copper |
|------------------------------------|--------|

Packaging Features

| | |
|--------------------|------|
| Packaging Quantity | 6500 |
| Packaging Method | Reel |

Other

| | |
|--------------------|----------------------|
| Terminal Transmits | 0 – 24 A (Low Power) |
|--------------------|----------------------|

Product Compliance

[For compliance documentation, visit the product page on TE.com>](#)

| | |
|---|---|
| EU RoHS Directive 2011/65/EU | Compliant |
| EU ELV Directive 2000/53/EC | Compliant |
| China RoHS 2 Directive MIIT Order No 32, 2016 | No Restricted Materials Above Threshold |
| EU REACH Regulation (EC) No. 1907/2006 | Current ECHA Candidate List: JUNE 2023 (235) Candidate List Declared Against: JUNE 2023 (235) Does not contain REACH SVHC |
| Halogen Content | Low Halogen - Br, Cl, F, I < 900 ppm per homogenous material. Also BFR/CFR/PVC Free |
| Solder Process Capability | Not applicable for solder process capability |

Product Compliance Disclaimer

This information is provided based on reasonable inquiry of our suppliers and represents our current actual knowledge based on the information they provided. This information is subject to change. The part numbers that TE has identified as EU RoHS compliant have a maximum concentration of 0.1% by weight in homogenous materials for lead, hexavalent chromium, mercury, PBB, PBDE, DBP, BBP, DEHP, DIBP, and 0.01% for cadmium, or qualify for an exemption to these limits as defined in the Annexes of Directive 2011/65/EU (RoHS2). Finished electrical and electronic equipment products will be CE marked as required by Directive 2011/65/EU. Components may not be CE marked. Additionally, the part numbers that TE has identified as EU ELV compliant have a maximum concentration of 0.1% by weight in homogenous materials for lead, hexavalent chromium, and mercury, and 0.01% for cadmium, or qualify for an exemption to these limits as defined in the Annexes of Directive 2000/53/EC (ELV). Regarding the REACH Regulation, the information TE provides on SVHC in articles for this part number is based on the latest European Chemicals Agency (ECHA) 'Guidance on requirements for substances in articles' posted at this URL: <https://echa.europa.eu/guidance-documents/guidance-on-reach>

Compatible Parts



TE Part # 1579007-8
EXTRACTION TOOL



TE Part # 1488991-6
3POS, MCON 1.2 CB REC 2p TL SEALED



TE Part # 1924292-5
6POS, MCON 1.2 CB REC 2p TL SEALED



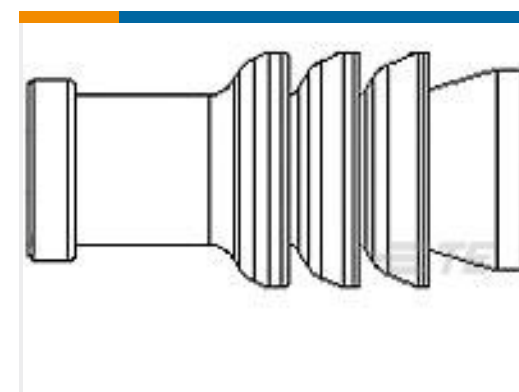
TE Part # 1-1924067-2
2POS, MCON 1.2 CB REC 2p TL SEALED



TE Part # 1488991-5
3POS, MCON 1.2 CB REC 2p TL SEALED



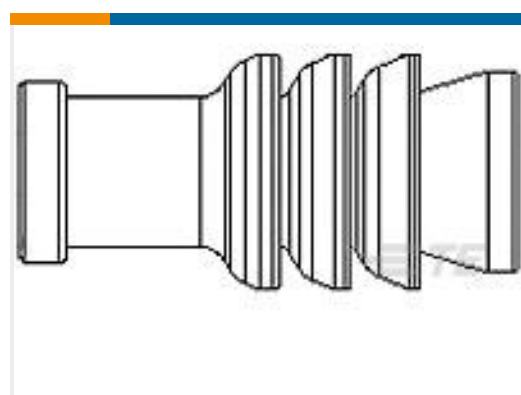
TE Part # 964972-1
EINZELLEITERDICHUNG



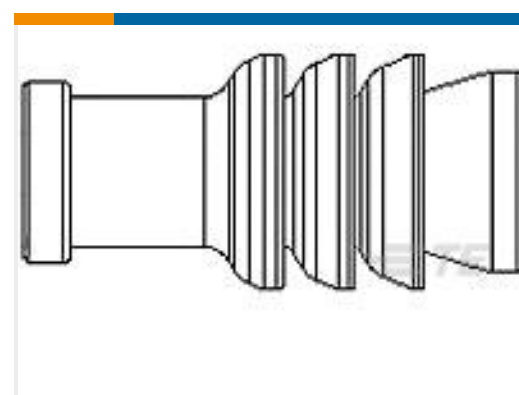
TE Part # 963142-1
MQS SINGLE-WIRE SEAL FOR 4MM



TE Part # 2098582-1
WIRE SEAL, RUBBER, SENSOR, RED



TE Part # 967067-1
MQS SGL WIRE SEAL



TE Part # 967067-2
MQS EINZELLEITDICH



TE Part # 1-1579007-0
EXTRACTION TOOL



TE Part # 8-1579008-4
EXTRACTION TOOL



TE Part # 2098557-1
2POS, MCON 1.2 CB REC 2p TL SEALED



TE Part # 1-2203769-1
2POS, MCON 1.2 CB REC 1p TL SEALED



TE Part # 1-1456426-1
4POS, MCON 1.2 CB REC 2p TL SEALED



TE Part # 1-2203771-1
3POS, MCON 1.2 CB REC 1p TL SEALED




TE Part # 1-2203771-2
Plug Ass'y, 3P Sealed, Key B, CPA



TE Part # 1488992-6
3POS, MCON 1.2 CB REC 2p SL SEALED




TE Part # 2098541-2
3POS, MCON 1.2 CB REC 2p TL SEALED

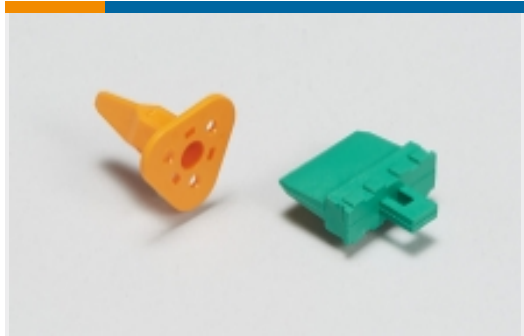


TE Part # 1488991-2
3POS, MCON 1.2 CB REC 2p TL SEALED


Also in the Series | MCON Interconnection System




Automotive Connector Caps & Covers (21)




Automotive Connector Locks & Position Assurance(11)




Automotive Housings(288)




Automotive Terminals(119)



Connector Seals & Cavity Plugs(11)



Insertion & Extraction Tools(31)



Other Automotive Connector Accessories(2)



PCB Headers & Receptacles(2)

Customers Also Bought



TE Part #1488991-6
3POS, MCON 1.2 CB REC 2p TL SEALED



TE Part #964972-1
EINZELLEITERDICHTNG



TE Part #2176411-7
1/2W SM M/OX 5% 20K



TE Part #1670146-2
MCON 1.2 CB REC SWS AU



TE Part #C02580-000
FL2500-NO.1-I8-0-50MM



TE Part #1-1456426-1
4POS, MCON 1.2 CB REC 2p TL SEALED



TE Part #1488991-2
3POS, MCON 1.2 CB REC 2p TL SEALED



TE Part #4-1924067-1
2POS, MCON 1.2 CB REC 2p TL SEALED



Documents

Product Drawings

MCON 1.2 CB REC SWS AG

German

CAD Files

Customer View Model

[ENG_CVM_1418850-3_F2.3d_igs.zip](#)

English

Customer View Model

[ENG_CVM_1418850-3_F2.3d_stp.zip](#)

English

Customer View Model

[ENG_CVM_1418850-3_F2.2d_dxf.zip](#)

English

3D PDF

English

By downloading the CAD file I accept and agree to the [Terms and Conditions](#) of use.

Datasheets & Catalog Pages

MCON Interconnection System

English

Product Specifications

Application Specification

English

Application Specification

English