

1318329-1 ✓ ACTIVE



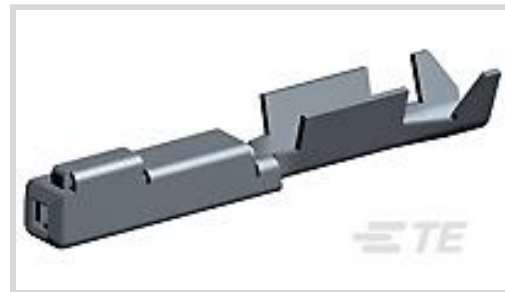
## TH/.025 Connector System

TE Internal #: 1318329-1

Automotive Terminals, Receptacle, Mating Tab Width .64 mm [.025 in], Tab Thickness .64 mm [.025 in], 20 – 18 AWG Wire Size, TH/.025 Connector System

[View on TE.com >](#)

Terminals & Splices > Automotive Terminals > TH/.025 CONNECTOR SYSTEM, RECPT AND TAB



Terminal Type: **Receptacle**

Mating Tab Width: **.64 mm [.025 in]**

Mating Tab Thickness: **.64 mm [.025 in]**

Terminal Transmits: **0 – 24 A (Low Power)**

Wire Size: **20 – 18 AWG**

[All TH/.025 CONNECTOR SYSTEM, RECPT AND TAB \(23\)](#)

## Features

### Product Type Features

Receptacle Style	180°
Sealable	No
Primary Locking Feature	Clean Body

### Contact Features

Contact Size	.63mm
Contact Fabrication	Stamped & Formed
Typical Current Rating	4 A
Crimp Type	F-Crimp
Terminal Type	Receptacle
Mating Tab Width	.64 mm[.025 in]
Mating Tab Thickness	.64 mm[.025 in]
Interface Plating	Tin (Sn)

### Termination Features

Termination Method to Wire & Cable	Crimp
Product Terminates To	Wire

### Dimensions

Compatible Insulation Diameter Range	1.25 – 1.8 mm
--------------------------------------	---------------



Wire Size	.5 – .85 mm <sup>2</sup>
Wire Size Search	18 AWG, 19 AWG, 20 AWG

### Usage Conditions

Insulation Option	Uninsulated
Operating Temperature (Max)	80 °C, 85 °C, 90 °C, 100 °C, 105 °C, 110 °C, 120 °C[176 °F][185 °F][194 °F][212 °F][221 °F][230 °F][248 °F]
Operating Temperature Range	-40 – 120 °C[-40 – 248 °F]

### Operation/Application

Compatible With Wire Base Material	Copper
------------------------------------	--------

### Packaging Features

Packaging Quantity	10000
Packaging Method	Reel

### Other

Terminal Transmits	0 – 24 A (Low Power)
--------------------	----------------------

## Product Compliance

[For compliance documentation, visit the product page on TE.com>](#)

EU RoHS Directive 2011/65/EU	Compliant
EU ELV Directive 2000/53/EC	Compliant
China RoHS 2 Directive MIIT Order No 32, 2016	No Restricted Materials Above Threshold
EU REACH Regulation (EC) No. 1907/2006	Current ECHA Candidate List: JUNE 2023 (235) Candidate List Declared Against: JUNE 2023 (235) Does not contain REACH SVHC
Halogen Content	Low Halogen - Br, Cl, F, I < 900 ppm per homogenous material. Also BFR/CFR/PVC Free
Solder Process Capability	Not applicable for solder process capability

#### Product Compliance Disclaimer

This information is provided based on reasonable inquiry of our suppliers and represents our current actual knowledge based on the information they provided. This information is subject to change. The part numbers that TE has identified as EU RoHS compliant have a maximum concentration of 0.1% by weight in homogenous materials for lead, hexavalent chromium, mercury, PBB, PBDE, DBP, BBP, DEHP, DIBP, and 0.01% for cadmium, or qualify for an exemption to these limits as defined in the Annexes of Directive 2011/65/EU (RoHS2). Finished electrical and electronic equipment products will be CE marked as required by Directive 2011/65/EU. Components may not be CE marked. Additionally, the part numbers that TE has identified as EU ELV compliant have a maximum concentration of 0.1% by weight in homogenous

materials for lead, hexavalent chromium, and mercury, and 0.01% for cadmium, or qualify for an exemption to these limits as defined in the Annexes of Directive 2000/53/EC (ELV). Regarding the REACH Regulation, the information TE provides on SVHC in articles for this part number is based on the latest European Chemicals Agency (ECHA) 'Guidance on requirements for substances in articles' posted at this URL: <https://echa.europa.eu/guidance-documents/guidance-on-reach>

## Compatible Parts



TE Part # CAT-T319-CH8172  
TH/.025 CONNECTOR SYSTEM,  
HOUSING



TE Part # CAT-M9194-CH8172  
MULTILOCK, CONNECTOR HOUSING



TE Part # 2836423-1  
OCEAN\_2.0\_Applicator-S-062F0700



TE Part # 2836423-2  
OCEAN\_2.0\_Applicator-S-062F0700



TE Part # 2836877-1  
OCEAN\_2.0\_Applicator-S-062F0700



TE Part # 2836877-2  
OCEAN\_2.0\_Applicator-S-062F0700A



TE Part # 7-2836423-1  
OCEAN\_2.0\_Applicator-S-062F0700



TE Part # 7-2836423-2  
OCEAN\_2.0\_Applicator-S-062F0700



**KIT**  
REPRESENTATION ONLY

TE Part # 7-2836423-7  
OCEAN\_2.0\_SPARE\_PART\_KIT-  
062F070F



TE Part # 7-2836877-1  
OCEAN\_2.0\_Applicator-S-062F0700



TE Part # 7-2836877-2  
OCEAN\_2.0\_Applicator-S-062F0700A



**KIT**  
REPRESENTATION ONLY

TE Part # 7-2836877-7  
OCEAN\_2.0\_SPARE\_PART\_KIT-  
062F0700



TE Part # 1473842-2  
CLEAN BODY 025 CONNECTOR  
10POS

TE Part # 1747331-1  
HEADER ASSEMBLY

Also in the Series | **TH/.025 Connector System**



Automotive Connector Caps & Covers (2)



Automotive Connector Locks & Position Assurance(1)



Automotive Housings(196)



Automotive Terminals(23)



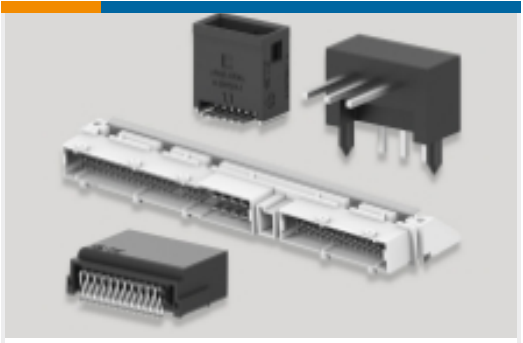
Connector Seals & Cavity Plugs(2)



Insertion & Extraction Tools(4)



Other Automotive Connector Accessories(5)

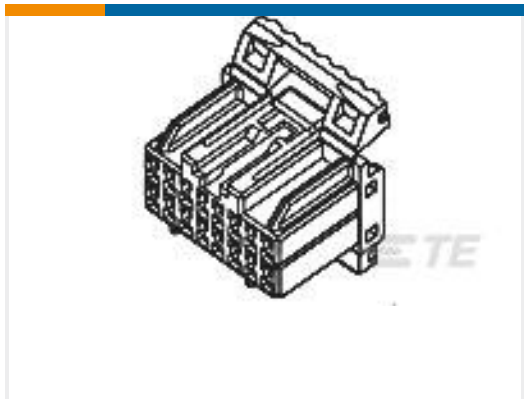


PCB Headers & Receptacles(122)

## Customers Also Bought



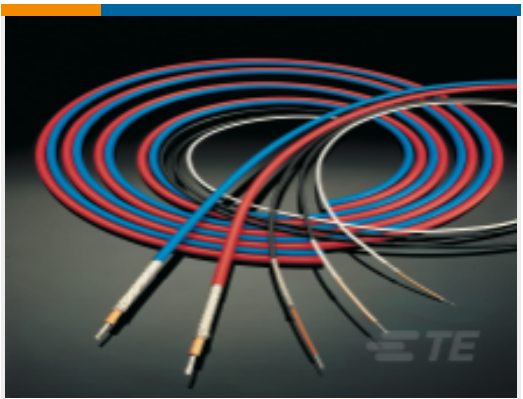
TE Part #1717138-4  
TH/.025 CONNECTOR SYSTEM,  
HOUSING



TE Part #175442-1  
HYBRID PLUG HSG 12P NATURAL



TE Part #1-2278915-1  
EPB4 30WAY ASSEMBLY PARTS



TE Part #986679-000  
2019D0301-0



TE Part #1-2299987-2  
65W SEAL PLUG,CONN KIT



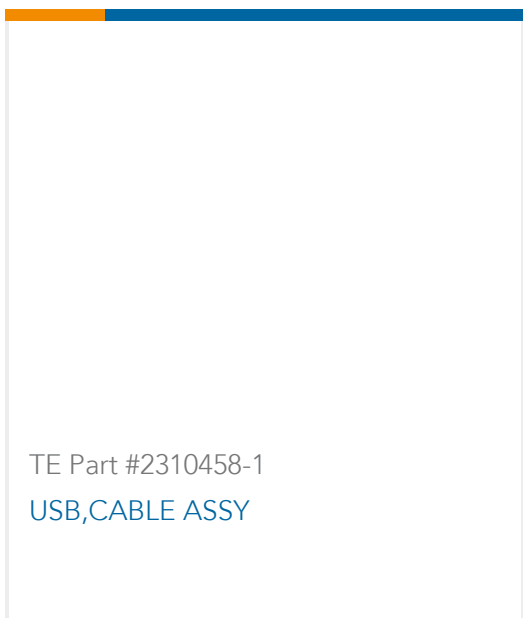
TE Part #2109435-2  
060/110/250 LIF 36P PLUG ASSY



TE Part #2298622-1  
24POS,HYBRID,REC HSG ASSY,  
UNSLD,COD A



TE Part #2322637-1  
12POS,MQS,REC HSG,UNSLD



TE Part #2310458-1  
USB,CABLE ASSY

## Documents



## Product Drawings

### .025 SEALED REC CONT

English

## CAD Files

### Customer View Model

[ENG\\_CVM\\_CVM\\_1318329-1\\_H.2d\\_dxf.zip](#)

English

### 3D PDF

3D

### Customer View Model

[ENG\\_CVM\\_CVM\\_1318329-1\\_H.3d\\_igs.zip](#)

English

### Customer View Model

[ENG\\_CVM\\_CVM\\_1318329-1\\_H.3d\\_stp.zip](#)

English

By downloading the CAD file I accept and agree to the [Terms and Conditions](#) of use.

## Datasheets & Catalog Pages

### TH/.025 Connector Series

English

## Product Specifications

### Crimping CLEAN BODY 025/040 Receptacle Contact

English

### Application Specification

English

### Application Specification

Japanese

### Crimping CLEAN BODY 025/040 Receptacle Contact

Japanese

## Instruction Sheets

### CLEAN BODY 025 10POSITIONS CONNECTOR

English

### Instruction Sheet (non U.S.)

English

### Instruction Sheet (non U.S.)

Japanese

### 025 T.P.S. CONNECTOR

Japanese

### Instruction Sheet (non U.S.)

Japanese

### The Extraction Tool for 025/040 Clean Body Connector

Japanese

1318329-1

Automotive Terminals, Receptacle, Mating Tab Width .64 mm [.025 in], Tab Thickness .64 mm [.025 in], 20 – 18 AWG Wire Size, TH/.025 Connector System



**Instruction Sheet (non U.S.)**

Japanese