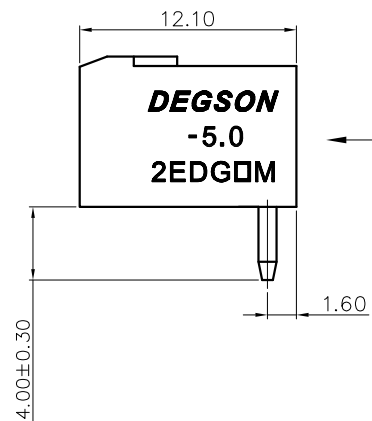
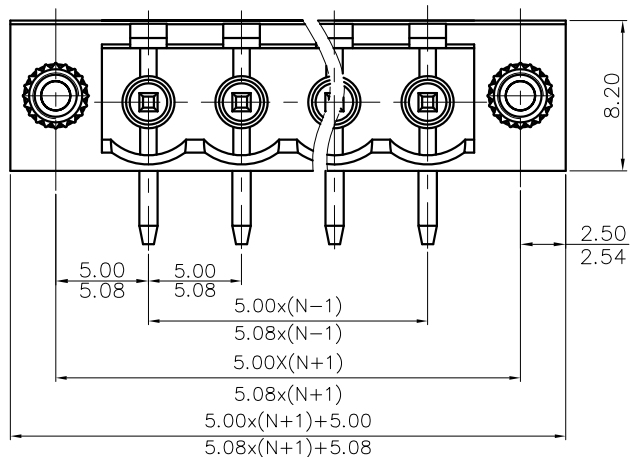
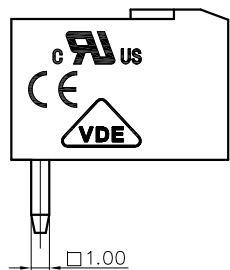


REVISION RECORD				
REV	ECN	DESCRIPTION	DRFT	DATE



NOTES1:
 UL Standard
 1. Rated voltage/current : 300V / 15A
 2. Withstanding voltage : AC1600V/1Min.

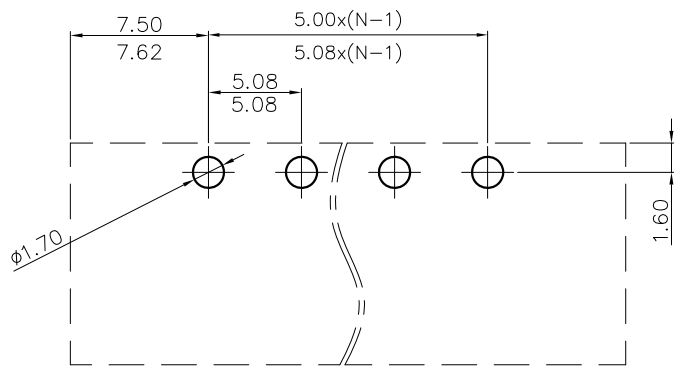
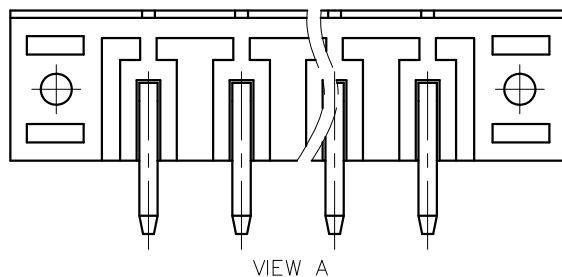
IEC Standard

1. Pollution degree	2
Overvoltage category	III
Rate impulse voltage(KV)	4.0KV
Rate voltage(V)	320V
Rate current(A)	20A

NOTES2:
 1. Dimension shall be interpreted per ASME Y14.5-2009
 2. Pitch : 5.0/5.08mm, Poles : N=02~22P
 3. Operating temperature: -40°C~+105°C
 4. Undimensioned tolerances:

Pitch range in mm	Nominal dimension range in mm	Tolerance
Over 6 TO 10	Over 30 TO 60	±0.15
Over 10 TO 24	Over 60 TO 100	±0.20
Over 24 TO 30	Over 100 TO 150	±0.30
Over 30 TO 30	Over 150 TO 150	±0.30
Over 30 TO 30	Over 150 TO 150	±0.50
Over 30 TO 30	Over 150 TO 150	±0.70
Over 30 TO 30	Over 150 TO 150	±1.00
Over 30 TO 30	Over 150 TO 150	±1.30
Over 30 TO 30	Over 150 TO 150	±2'

5. RoHS Compliance



2EDGRM - 5.0/5.08 - XXP - 1Y - 00A (H)
 (Series No.) (Pitch) (Poles)(Single Pitch) (Color) : 1.(Grey)
 2. (Blue)
 3. (Black)
 4. (Green)
 5. (Orange)
 6. (Red)
 7. (Transparent)
 8. (Yellow)
 9. (White)

DETACHED LISTS	PART NO.:	/		
	APPD:	/		
	CHKD:	/		
	DRFT:	/		
	THIRD ANGLE PROJECTION	/		
NAME:		NINGBO DEGSON ELECTRICAL CO., LTD		
TITLE:		CUSTOMER DRAWING		
DRAWING NO.:		/		
DO NOT SCALE DRAWING		REV	D0	
MM (INCH)		SHEET	1/1	
SCALE		1:1		