

2232563-1 ✓ ACTIVE

## GRACE INERTIA 9.0

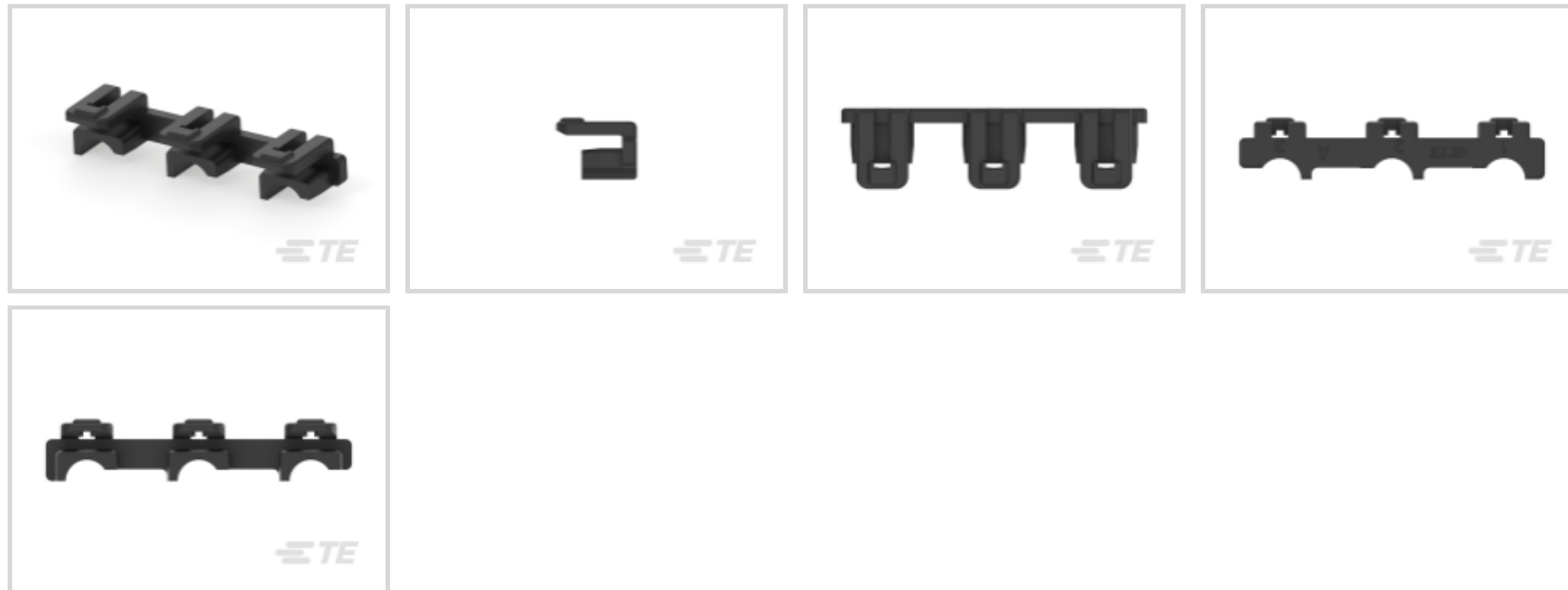
TE Internal #: 2232563-1

TPA (Terminal Position Assurance), Black, GRACE INERTIA 9.0

[View on TE.com >](#)



Connectors > Connector Accessories > Connector Hardware



Hardware Accessory Function: **Position Assurance**

Connector Hardware Accessory Type: **TPA (Terminal Position Assurance)**

Primary Product Color: **Black**

Operating Temperature (Max): **105 °C [ 221 °F ]**

Operating Temperature Range: **-40 – 105 °C [ -40 – 221 °F ]**

### Features

#### Product Type Features

|                                   |                                   |
|-----------------------------------|-----------------------------------|
| Hardware Accessory Function       | Position Assurance                |
| Connector Hardware Accessory Type | TPA (Terminal Position Assurance) |

#### Body Features

|                       |       |
|-----------------------|-------|
| Primary Product Color | Black |
|-----------------------|-------|

#### Usage Conditions

|                             |                            |
|-----------------------------|----------------------------|
| Operating Temperature (Max) | 105 °C[221 °F]             |
| Operating Temperature Range | -40 – 105 °C[-40 – 221 °F] |

#### Industry Standards

|                        |          |
|------------------------|----------|
| UL Flammability Rating | UL 94V-0 |
|------------------------|----------|

#### Packaging Features

|                    |      |
|--------------------|------|
| Packaging Quantity | 1500 |
| Packaging Method   | Box  |

### Product Compliance

[For compliance documentation, visit the product page on TE.com>](#)



|   |   |
|---|---|
| EU RoHS Directive 2011/65/EU                  | Compliant   |
| EU ELV Directive 2000/53/EC                   | Compliant   |
| China RoHS 2 Directive MIIT Order No 32, 2016 | No Restricted Materials Above Threshold   |
| EU REACH Regulation (EC) No. 1907/2006        | Current ECHA Candidate List: JUNE 2023 (235)<br>Candidate List Declared Against: JUNE 2023 (235)<br>Does not contain REACH SVHC |
| Halogen Content                               | Low Halogen - Br, Cl, F, I < 900 ppm per homogenous material. Also BFR/CFR/PVC Free   |
| Solder Process Capability                     | Not reviewed for solder process capability  |

Product Compliance Disclaimer

This information is provided based on reasonable inquiry of our suppliers and represents our current actual knowledge based on the information they provided. This information is subject to change. The part numbers that TE has identified as EU RoHS compliant have a maximum concentration of 0.1% by weight in homogenous materials for lead, hexavalent chromium, mercury, PBB, PBDE, DBP, BBP, DEHP, DIBP, and 0.01% for cadmium, or qualify for an exemption to these limits as defined in the Annexes of Directive 2011/65/EU (RoHS2). Finished electrical and electronic equipment products will be CE marked as required by Directive 2011/65/EU. Components may not be CE marked. Additionally, the part numbers that TE has identified as EU ELV compliant have a maximum concentration of 0.1% by weight in homogenous materials for lead, hexavalent chromium, and mercury, and 0.01% for cadmium, or qualify for an exemption to these limits as defined in the Annexes of Directive 2000/53/EC (ELV). Regarding the REACH Regulation, the information TE provides on SVHC in articles for this part number is based on the latest European Chemicals Agency (ECHA) 'Guidance on requirements for substances in articles' posted at this URL: <https://echa.europa.eu/guidance-documents/guidance-on-reach>

### Compatible Parts



### Also in the Series | GRACE INERTIA 9.0



Connector Hardware(1)



Rectangular Power Connectors(9)

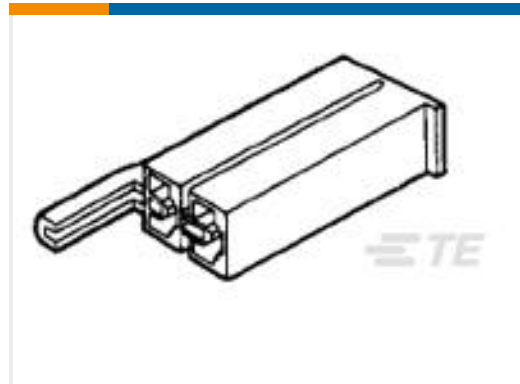
### Customers Also Bought



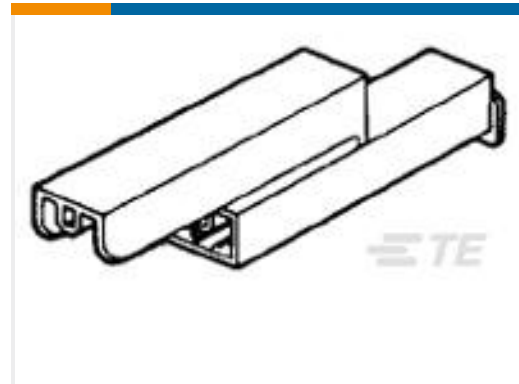
TE Part #1-917809-2  
Receptacle and Tab Housing: 5.08 or 10.16 mm pitch, 250-600V



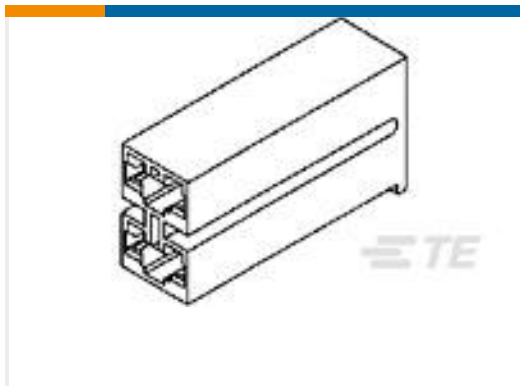
TE Part #179956-2  
DYNAMIC D-5 REC CONT. M FORM



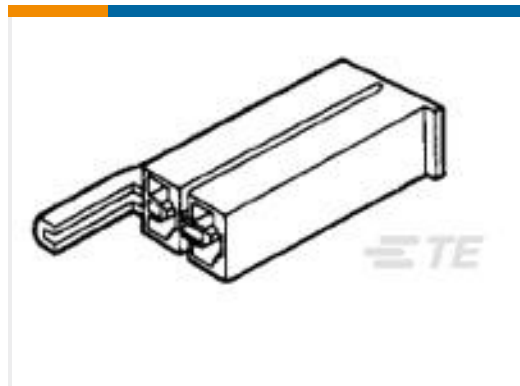
TE Part #1-174587-1  
PL MK2 2P 187 HOUSING RECEPTACLE NAT



TE Part #1-174712-1  
187 HSG. PL MKII REC. 6.65mm 2P NAT



TE Part #172210-1  
POSITIVE LOCK 250 HOUSING RECEPTACLE



TE Part #1-174587-7  
PL MK2 2POS 187 HOUSING RECEPTACLE RED



TE Part #2232111-3  
250 FASTON, FLAG, REC., 12-20 AWG, TPBR



TE Part #4-1903414-2  
GHC 9.0 3POS PLUG HSG BLACK



TE Part #85092-1  
PL 187 HOUSING 2P REC NYLON66 NATURAL

### Documents

#### Product Drawings

[GHC 9.0MM 3POS TPA](#)

English

#### CAD Files

[3D PDF](#)

3D

#### Customer View Model

[ENG\\_CVM\\_CVM\\_2232563-1\\_B.2d\\_dxf.zip](#)



English

Customer View Model

[ENG\\_CVM\\_CVM\\_2232563-1\\_B.3d\\_igs.zip](#)

English

Customer View Model

[ENG\\_CVM\\_CVM\\_2232563-1\\_B.3d\\_stp.zip](#)

English

By downloading the CAD file I accept and agree to the [Terms and Conditions](#) of use.

**Product Specifications**

[Application Specification](#)

English