

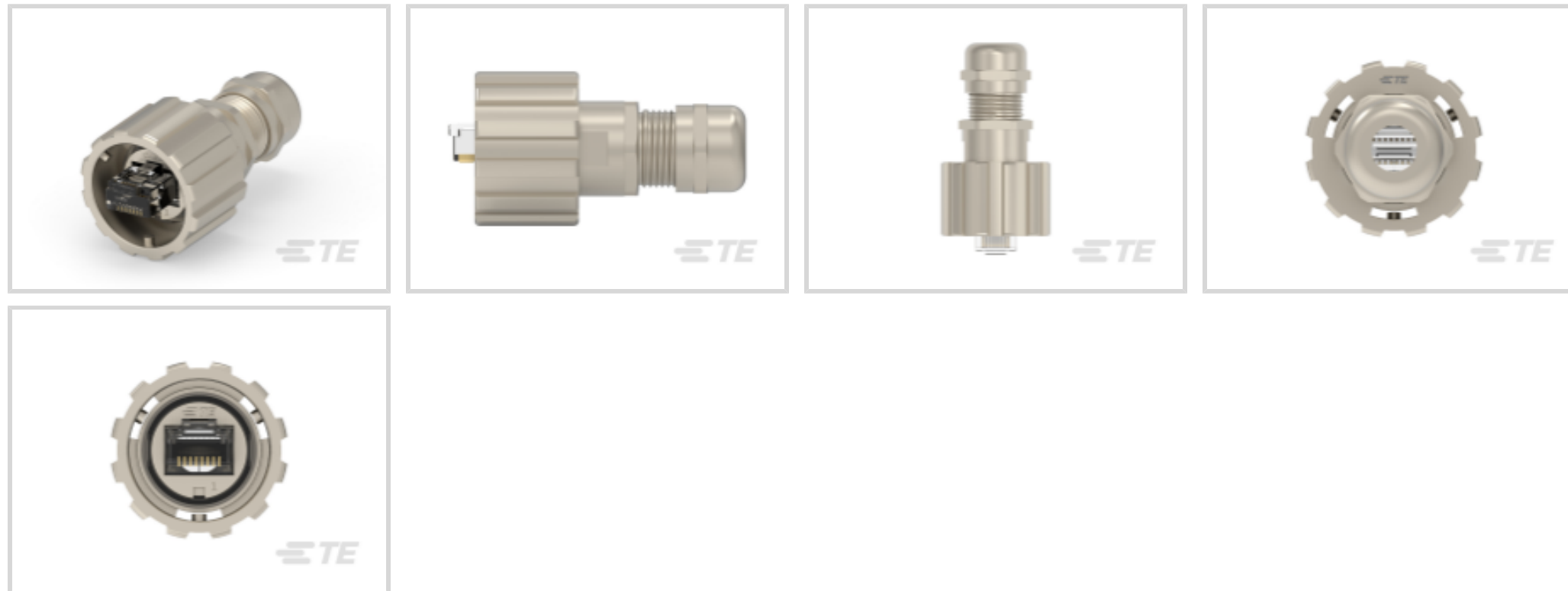


TE Internal #: 2362760-1

RJ45 Connectors, Circular RJ45, Single Port, RJ Type Jacks & Plugs, Standard Connector Contact Density, Plug, Shielded, Cat 5e, 8 Position

[View on TE.com >](#)

Connectors > Modular Jacks & Plugs > RJ45 Connectors



Modular Jack & Plug Interface Type: **Circular RJ45**

Port Configuration: **Single Port**

Modular Jacks & Plugs Products: **RJ Type Jacks & Plugs**

Connector Contact Density: **Standard**

Modular Connector Style: **Plug**

## Features

### Product Type Features

Modular Jack & Plug Interface Type	Circular RJ45
Modular Jacks & Plugs Products	RJ Type Jacks & Plugs
Modular Connector Style	Plug
Connector & Contact Terminates To	Wire & Cable

### Configuration Features

Status Light Type	Not Illuminated
Port Configuration	Single Port
Connector Contact Density	Standard
Number of Positions	8
Number of Loaded Positions	8

### Contact Features

Contact Current Rating (Max)	1.2 A
Contact Mating Area Plating Material	Gold
Contact Base Material	Phosphor Bronze



Contact Mating Area Plating Material Thickness	1.27 $\mu\text{m}$ [50 $\mu\text{in}$ ]
--	---

### Mechanical Attachment

Connector Mounting Type	Cable Mount (Free-Hanging)
-------------------------	----------------------------

### Housing Features

Centerline (Pitch)	1.27 mm[.05 in]
--------------------	-----------------

Housing Material	Zinc
------------------	------

### Usage Conditions

Operating Temperature Range	-40 – 85 $^{\circ}\text{C}$ [-40 – 185 $^{\circ}\text{F}$ ]
-----------------------------	---

### Operation/Application

Shielded	Yes
----------	-----

Circuit Application	High Speed Data
---------------------	-----------------

### Industry Standards

IP Rating	IP67
-----------	------

Performance Category	Cat 5e
----------------------	--------

### Packaging Features

Packaging Quantity	1
--------------------	---

Packaging Method	Bag
------------------	-----

### Product Compliance

[For compliance documentation, visit the product page on TE.com>](#)

EU RoHS Directive 2011/65/EU	Compliant with Exemptions
------------------------------	---------------------------

EU ELV Directive 2000/53/EC	Out of Scope
-----------------------------	--------------

China RoHS 2 Directive MIIT Order No 32, 2016	Restricted Materials Above Threshold
---	--------------------------------------

EU REACH Regulation (EC) No. 1907/2006	Current ECHA Candidate List: JUNE 2023 (235) Candidate List Declared Against: JUNE 2023 (235) SVHC > Threshold: Pb (1.02% in Component Part)
--	---

**Article Safe Usage Statements:**

Do not eat, drink or smoke when using this product. Wash thoroughly after handling. Recycle if possible and dispose of the article by following all applicable governmental regulations relevant to your geographic location.

Halogen Content	Low Halogen - Br, Cl, F, I < 900 ppm per homogenous material. Also BFR/CFR/PVC Free
-----------------	---

Solder Process Capability	Not reviewed for solder process capability
---------------------------	--



Product Compliance Disclaimer

This information is provided based on reasonable inquiry of our suppliers and represents our current actual knowledge based on the information they provided. This information is subject to change. The part numbers that TE has identified as EU RoHS compliant have a maximum concentration of 0.1% by weight in homogenous materials for lead, hexavalent chromium, mercury, PBB, PBDE, DBP, BBP, DEHP, DIBP, and 0.01% for cadmium, or qualify for an exemption to these limits as defined in the Annexes of Directive 2011/65/EU (RoHS2). Finished electrical and electronic equipment products will be CE marked as required by Directive 2011/65/EU. Components may not be CE marked. Additionally, the part numbers that TE has identified as EU ELV compliant have a maximum concentration of 0.1% by weight in homogenous materials for lead, hexavalent chromium, and mercury, and 0.01% for cadmium, or qualify for an exemption to these limits as defined in the Annexes of Directive 2000/53/EC (ELV). Regarding the REACH Regulation, the information TE provides on SVHC in articles for this part number is based on the latest European Chemicals Agency (ECHA) 'Guidance on requirements for substances in articles' posted at this URL: <https://echa.europa.eu/guidance-documents/guidance-on-reach>

### Compatible Parts



TE Part # 2355443-1  
RJ45 CAT5e PANEL MOUNT SOCKET

### Customers Also Bought



TE Part #206426-1  
CPC PLUG ASSEMBLY SIZE 17-3



TE Part #796381-2  
R/A STRN RELIEF KIT, SZ 17, CPC



TE Part #1609133-2  
6ESRFC3=F6987



TE Part #1-353046-3  
DYNAMIC D-5200S TAB HSG 3P K/X



TE Part #917803-3  
DYNAMIC D-5 TAB CONT. M AU



TE Part #208338-1  
SEAL PROTECTOR SOCKET



TE Part #66261-4  
MALE CONTACT ASSY. (L.P.)



TE Part #2-66741-1  
TYPE XII FEMALE CONT (L.P.)



## Documents

### Product Drawings

[IDC PLUG, Die Cast](#)

English

### CAD Files

[3D PDF](#)

3D

Customer View Model

[ENG\\_CVM\\_CVM\\_2362760-1\\_A.2d\\_dxf.zip](#)

English

Customer View Model

[ENG\\_CVM\\_CVM\\_2362760-1\\_A.3d\\_igs.zip](#)

English

Customer View Model

[ENG\\_CVM\\_CVM\\_2362760-1\\_A.3d\\_stp.zip](#)

English

By downloading the CAD file I accept and agree to the [Terms and Conditions](#) of use.

### Product Specifications

[Application Specification](#)

English