

179316-4 ✓ ACTIVE

TE Internal #: 179316-4

Socket Contact, Gold, 250 VAC, 20 – 16 AWG Wire Size, .503 – 1.419 mm<sup>2</sup> Wire Size, 992.68 – 2802.41 CMA Wire Size, Crimp, Copper Alloy, Power

[View on TE.com >](#)



Connectors > Contacts > Connector Contacts



Contact Type: **Socket**

Contact Mating Area Plating Material: **Gold**

Wire Contact Termination Area Plating Material: **Tin**

Operating Voltage: **250 VAC**

Wire Size: **20 – 16 AWG**

## Features

### Electrical Characteristics

Operating Voltage	250 VAC
-------------------	---------

### Contact Features

Mating Tab Width	3 mm[.118 in]
Mating Tab Thickness	.65 mm[.025 in]
	200 – 500 μin
Wire Contact Termination Area Plating Material Finish	Bright
Contact Length	21.3 mm[.839 in]
Contact Underplating Material	Nickel
Contact Type	Socket
Contact Mating Area Plating Material	Gold
Wire Contact Termination Area Plating Material	Tin
Contact Base Material	Copper Alloy
Contact Current Rating (Max)	15 A

### Termination Features

--	--



Termination Method to Wire & Cable	Crimp
------------------------------------	-------

Product Terminates To	Wire & Cable
-----------------------	--------------

### Dimensions

Compatible Insulation Diameter Range	1.6 – 2.8 mm [.063 – .11 in]
--------------------------------------	------------------------------

Wire Size	992.68 – 2802.41 CMA
-----------	----------------------

### Usage Conditions

Operating Temperature Range	-30 – 105 °C [-22 – 221 °F]
-----------------------------	-----------------------------

### Operation/Application

Circuit Application	Power
---------------------	-------

### Packaging Features

Packaging Quantity	4000
--------------------	------

Packaging Method	Reel
------------------	------

### Product Compliance

[For compliance documentation, visit the product page on TE.com>](#)

EU RoHS Directive 2011/65/EU	Compliant
------------------------------	-----------

EU ELV Directive 2000/53/EC	Compliant
-----------------------------	-----------

China RoHS 2 Directive MIIT Order No 32, 2016	No Restricted Materials Above Threshold
---	---

EU REACH Regulation (EC) No. 1907/2006	Current ECHA Candidate List: JUNE 2023 (235) Candidate List Declared Against: JUNE 2023 (235) Does not contain REACH SVHC
--	---

Halogen Content	Low Halogen - Br, Cl, F, I < 900 ppm per homogenous material. Also BFR/CFR/PVC Free
-----------------	---

Solder Process Capability	Not applicable for solder process capability
---------------------------	--

#### Product Compliance Disclaimer

This information is provided based on reasonable inquiry of our suppliers and represents our current actual knowledge based on the information they provided. This information is subject to change. The part numbers that TE has identified as EU RoHS compliant have a maximum concentration of 0.1% by weight in homogenous materials for lead, hexavalent chromium, mercury, PBB, PBDE, DBP, BBP, DEHP, DIBP, and 0.01% for cadmium, or qualify for an exemption to these limits as defined in the Annexes of Directive 2011/65/EU (RoHS2). Finished electrical and electronic equipment products will be CE marked as required by Directive 2011/65/EU. Components may not be CE marked. Additionally, the part numbers that TE has identified as EU ELV compliant have a maximum concentration of 0.1% by weight in homogenous materials for lead, hexavalent chromium, and mercury, and 0.01% for cadmium, or qualify for an exemption to these limits as defined in the Annexes of Directive 2000/53/EC (ELV). Regarding the REACH Regulation, the information TE provides on SVHC in articles for this part number is based on the latest European Chemicals Agency (ECHA) 'Guidance on requirements for substances in articles' posted at this URL: <https://echa.europa.eu/guidance-documents/guidance-on-reach>

## Compatible Parts



TE Part # CAT-AM7053-D797R  
MINI CT DRAWER RECEPTACLE HOUSINGS



TE Part # 2-292185-8  
REC ASS'Y OF HYB DRAWER 32P



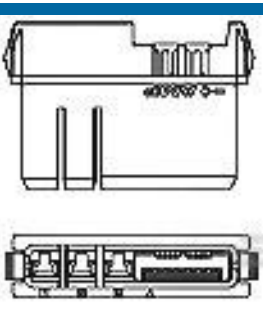
TE Part # 1-292186-2  
REC ASS'Y OF HYB DRAWER 18P



TE Part # 292185-8  
REC ASS'Y OF HYB DRAWER 12P



TE Part # 2-292185-0  
REC ASS'Y OF HYB DRAWER 24P



TE Part # 1-292192-3  
REC ASS'Y OF HYB SF DRAWER 10P



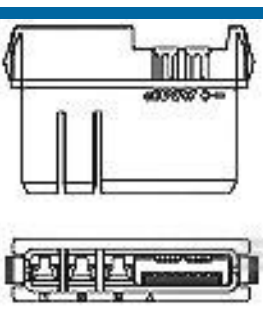
TE Part # 2-292190-2  
REC ASS'Y OF HYB SF DRAWER8P



TE Part # 2151244-1  
OCEAN\_2.0\_Applicator-S-085F120F



TE Part # 2151244-2  
OCEAN\_2.0\_Applicator-S-085F120F



TE Part # 4-292190-2  
REC ASS'Y OF HYB SF DRAWER9P



TE Part # 7-2151244-1  
OCEAN\_2.0\_Applicator-S-085F120F




TE Part # 7-2151244-2  
OCEAN\_2.0\_Applicator-S-085F120F



**KIT**  
REPRESENTATION ONLY

TE Part # 7-2151244-7  
OCEAN\_2.0\_SPARE\_PART\_KIT-085F120F



TE Part # 934198-1  
DAHT HYBRID MINI DRAWER 20-16 ASSY

## Customers Also Bought



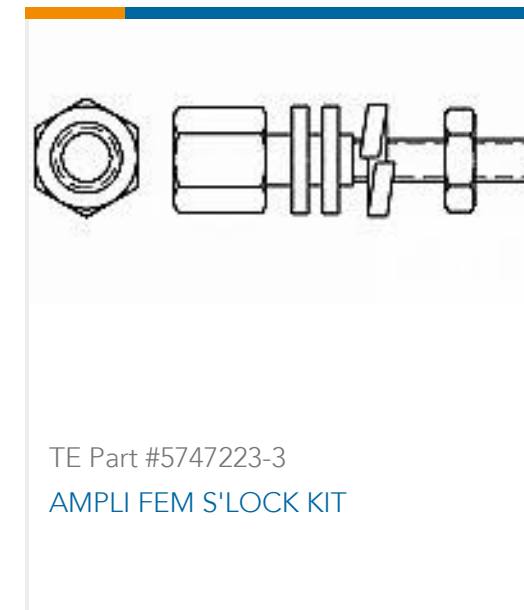
TE Part #1-917809-2  
DYNAMIC D-5 TAB HSG D/R 4P X-X



TE Part #353908-9  
CT REC HSG 9P CRIMP TYPE WHITE



TE Part #353907-1  
CT 1.5MM REC CONT CRIMP TYPE



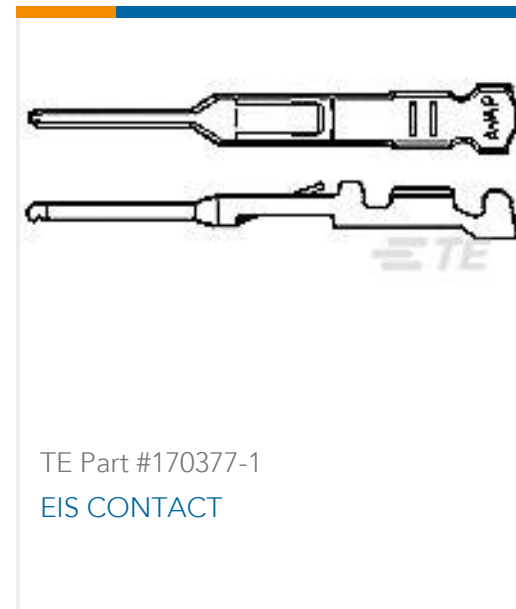
TE Part #5747223-3  
AMPLI FEM S'LOCK KIT



TE Part #2-34161-1  
TERMINAL,PG R 16-14 10



TE Part #350418-1  
.093 COMM P&S PIN 18-24 PTPBR



TE Part #170377-1  
EIS CONTACT



TE Part #353293-9  
MINI CT MT REC ASSY 9P GRAY



TE Part #170452-2  
PL 250 AUTOMOTIVE REC 22-20 AWG  
PRE TPBR



TE Part #5531216-5  
CONTACT MINI TANDEM SPRING L

## Documents

### Product Drawings

[HYBRID MINI DRAWER REC CONT.#1](#)

English

### CAD Files

Customer View Model

[ENG\\_CVM\\_CVM\\_179316-4\\_L.2d\\_dxf.zip](#)

English

### 3D PDF

3D

Customer View Model

[ENG\\_CVM\\_CVM\\_179316-4\\_L.3d\\_igs.zip](#)

English

Customer View Model

[ENG\\_CVM\\_CVM\\_179316-4\\_L.3d\\_stp.zip](#)

English

By downloading the CAD file I accept and agree to the [Terms and Conditions](#) of use.

## Datasheets & Catalog Pages



## Low Power Drawer Connectors QRG

English

---

### Product Specifications

#### Application Specification

English

#### Crimping Hybrid Mini Drawer Connector Power Line Contact

English