

1

2

3

4

5

6

7

A

A

B

B

C

C

D

D

E

E

F

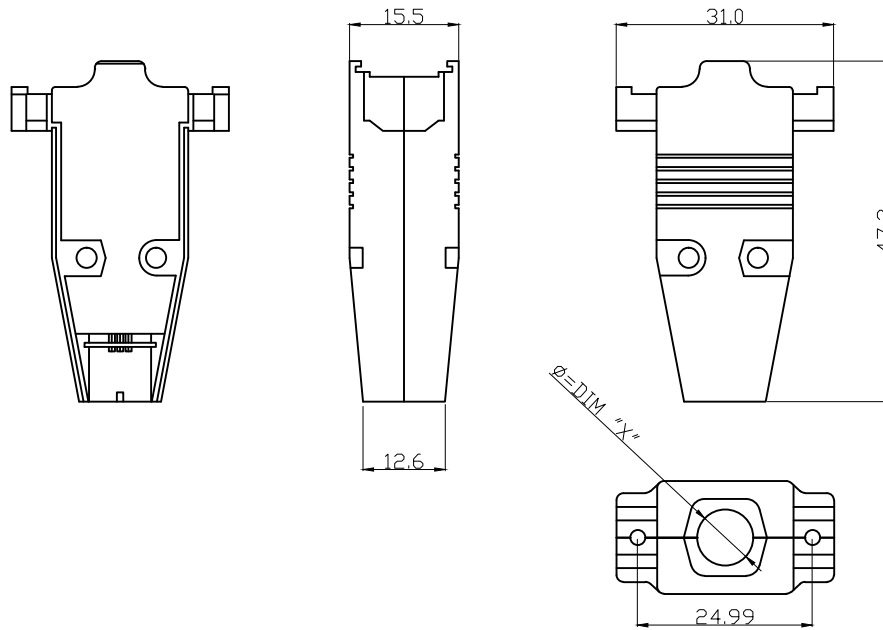
F

G

G

H

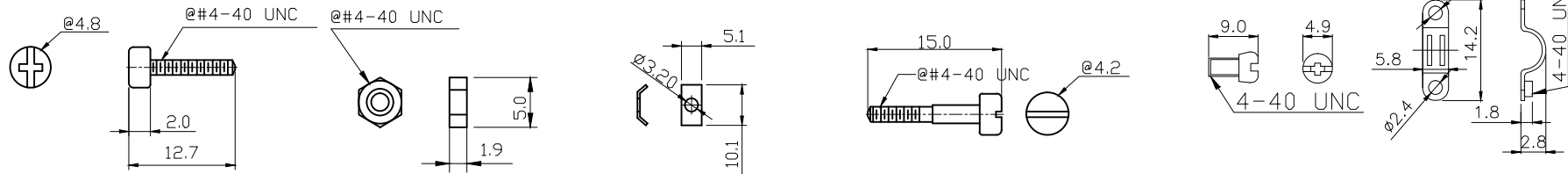
H



NOTE:


1. MATERIAL: zinc alloy
2. FINISHED: chromate plated
3. Contact No. : 09 Poles
4. CABLE ENTRY SIZE:
DIMENSION OF "X"=7.0mm
5. PARTS OPTION: SHORT SCREW

© AGP 09 G-METALL



⑤ Short screw and Clip

RoHS compliant

Scale	1:1	⑥	Correct PN	08.05.2019	Xavier		Date	Name	Customer-No.
TOLERANCE		⑤	Add dim. of Clip and short screw	12.12.2018	Xavier	Drawn	07.12.2007	Ken	ASSMANN WSW-No. © AGP xx G-METALL
X.	±0.5	④	Add the 50 poles	09.01.2015	Winnie	Approved	09.01.2015	Winnie	
X.X	±0.3	③	Modify dimension X	25.11.2009	Dean				
X.XX	±0.2	②	Update	03.11.2009	Dean				Drawing-No.
DIM	TOL	①	Drawn	07.12.2007	Ken				
Angle	±5°	Id.	Modification	Date	Name				ASS 0464 CO
									rev06
									Sheet 1/5

1

2

3

4

5

6

7

SV3762

1

2

3

4

5

6

7

A

B

C

D

E

F

G

H

A

B

C

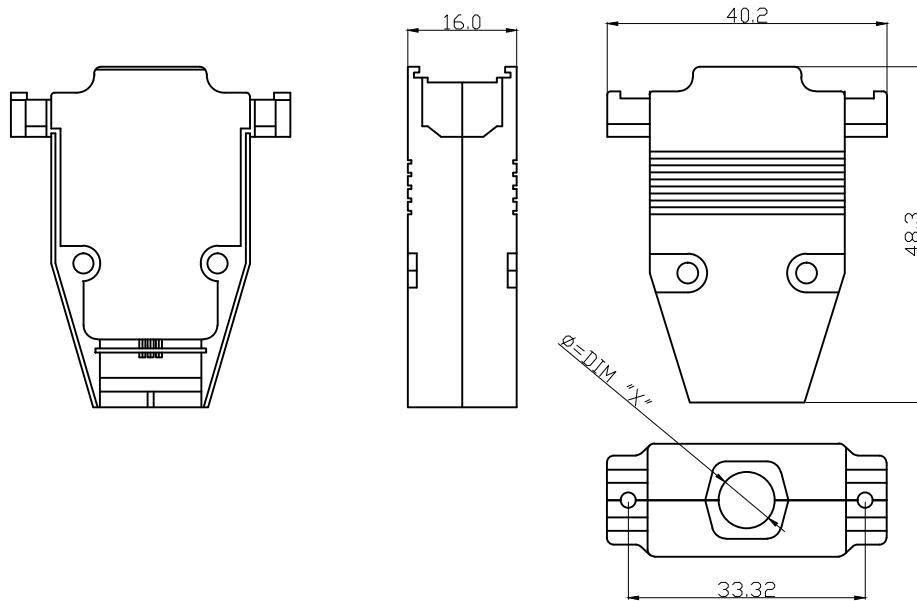
D

E

F

G

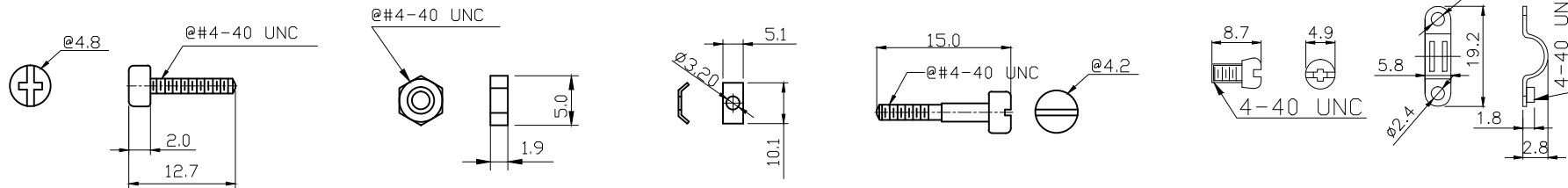
H



NOTE:

1. MATERIAL: zinc alloy
2. FINISHED: chromate plated
3. Contact No. : 15 Poles
4. CABLE ENTRY SIZE:
DIMENSION OF "X"=10.0mm
5. PARTS OPTION: SHORT SCREW

© AGP 15 G-METALL



⑤ Short screw and Clip

RoHS compliant

Scale	1:1	⑥	Correct PN	08.05.2019	Xavier		Date	Name	Customer-No.	
TOLERANCE		⑤	Add dim. of Clip and short screw	12.12.2018	Xavier	Drawn	07.12.2007	Ken	ASSMANN WSW-No. © AGP xx G-METALL	
X.	±0.5	④	Add the 50 poles	09.01.2015	Winnie	Approved	09.01.2015	Winnie		
X.X	±0.3	③	Modify dimension X	25.11.2009	Dean				Drawing-No.	
X.XX	±0.2	②	Update	03.11.2009	Dean				ASS 0464 CO	rev06
DIM	TOL	①	Drawn	07.12.2007	Ken				Replace	Sheet
Angle	±5°	Id.	Modification	Date	Name				2/5	

1

2

3

4

5

6

7

SV3762

	1	2	3	4	5	6	7																																																																	
A							<p>NOTE:</p> <p>1. MATERIAL: zinc alloy 2. FINISHED: chromate plated 3. Contact No. : 25 Poles 4. CABLE ENTRY SIZE: DIMENSION OF "X" =10.0mm 5. PARTS OPTION: SHORT SCREW</p>	A																																																																
B							<p>Ⓢ AGP 25 G-METALL</p>	B																																																																
C								C																																																																
D								D																																																																
E							<p>Ⓢ Short screw and Clip</p>	E																																																																
F								F																																																																
G	<p>RoHS compliant</p>		<table border="1"> <tr> <td>Scale</td> <td>1:1</td> <td>Ⓢ</td> <td>Correct PN</td> <td>08.05.2019</td> <td>Xavier</td> <td></td> <td>Date</td> <td>Name</td> <td>Customer-No.</td> </tr> <tr> <td colspan="2">TOLERANCE</td> <td>Ⓢ</td> <td>Add dim. of Clip and short screw</td> <td>12.12.2018</td> <td>Xavier</td> <td>Drawn</td> <td>07.12.2007</td> <td>Ken</td> <td rowspan="3">ASSMANN WSW-No. Ⓢ AGP xx G-METALL</td> </tr> <tr> <td>X.</td> <td>±0.5</td> <td>④</td> <td>Add the 50 poles</td> <td>09.01.2015</td> <td>Winnie</td> <td>Approved</td> <td>09.01.2015</td> <td>Winnie</td> </tr> <tr> <td>X.X</td> <td>±0.3</td> <td>③</td> <td>Modify dimension X</td> <td>25.11.2009</td> <td>Dean</td> <td></td> <td></td> <td></td> </tr> <tr> <td>X.XX</td> <td>±0.2</td> <td>②</td> <td>Update</td> <td>03.11.2009</td> <td>Dean</td> <td colspan="3" rowspan="3"> </td> <td>Drawing-No.</td> </tr> <tr> <td>DIM</td> <td>TOL</td> <td>①</td> <td>Drawn</td> <td>07.12.2007</td> <td>Ken</td> <td>ASS 0464 CO</td> <td>rev06</td> </tr> <tr> <td>Angle</td> <td>±5°</td> <td>Id.</td> <td>Modification</td> <td>Date</td> <td>Name</td> <td>Replace</td> <td>Sheet 3/5</td> </tr> </table>					Scale	1:1	Ⓢ	Correct PN	08.05.2019	Xavier		Date	Name	Customer-No.	TOLERANCE		Ⓢ	Add dim. of Clip and short screw	12.12.2018	Xavier	Drawn	07.12.2007	Ken	ASSMANN WSW-No. Ⓢ AGP xx G-METALL	X.	±0.5	④	Add the 50 poles	09.01.2015	Winnie	Approved	09.01.2015	Winnie	X.X	±0.3	③	Modify dimension X	25.11.2009	Dean				X.XX	±0.2	②	Update	03.11.2009	Dean				Drawing-No.	DIM	TOL	①	Drawn	07.12.2007	Ken	ASS 0464 CO	rev06	Angle	±5°	Id.	Modification	Date	Name	Replace	Sheet 3/5	G
Scale	1:1	Ⓢ	Correct PN	08.05.2019	Xavier		Date	Name	Customer-No.																																																															
TOLERANCE		Ⓢ	Add dim. of Clip and short screw	12.12.2018	Xavier	Drawn	07.12.2007	Ken	ASSMANN WSW-No. Ⓢ AGP xx G-METALL																																																															
X.	±0.5	④	Add the 50 poles	09.01.2015	Winnie	Approved	09.01.2015	Winnie																																																																
X.X	±0.3	③	Modify dimension X	25.11.2009	Dean																																																																			
X.XX	±0.2	②	Update	03.11.2009	Dean				Drawing-No.																																																															
DIM	TOL	①	Drawn	07.12.2007	Ken				ASS 0464 CO	rev06																																																														
Angle	±5°	Id.	Modification	Date	Name				Replace	Sheet 3/5																																																														
H									H																																																															
	1	2	3	4	5	6	7	SV3762																																																																

1

2

3

4

5

6

7

A

A

B

B

C

C

D

D

E

E

F

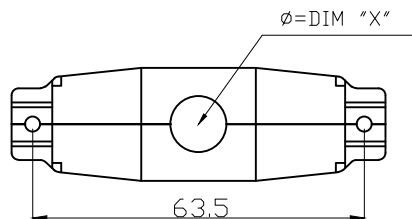
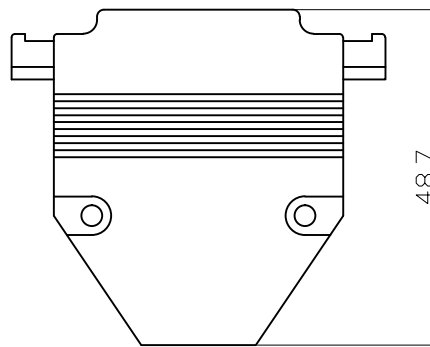
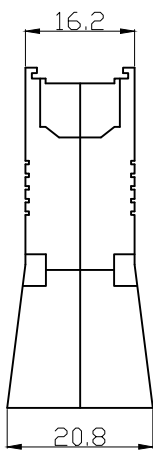
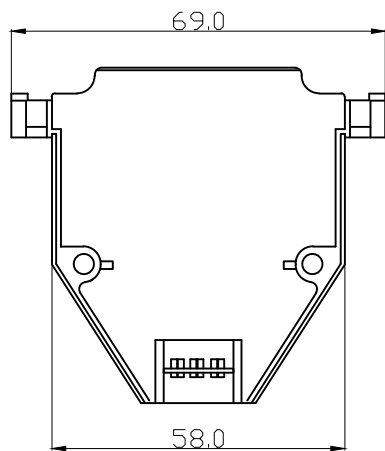
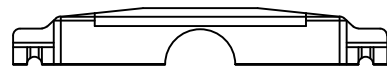
F

G

G

H

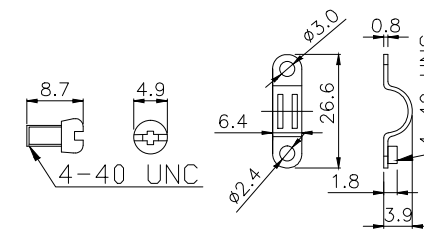
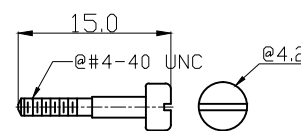
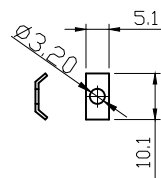
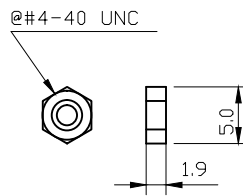
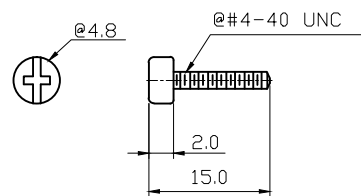
H



NOTE:

1. MATERIAL: zinc alloy
2. FINISHED: chromate plated
3. Contact No. : 37 Poles
4. CABLE ENTRY SIZE:
DIMENSION OF "X" =14.0mm

© AGP 37 G-METALL



⑤ Short screw and Clip

RoHS compliant

Scale	1:1	⑥	Correct PN	08.05.2019	Xavier		Date	Name	Customer-No.
TOLERANCE		⑤	Add dim. of Clip and short screw	12.12.2018	Xavier	Drawn	07.12.2007	Ken	ASSMANN WSW-No. © AGP xx G-METALL
X.	±0.5	④	Add the 50 poles	09.01.2015	Winnie	Approved	09.01.2015	Winnie	
X.X	±0.3	③	Modify dimension X	25.11.2009	Dean				Drawing-No. ASS 0464 CO
X.XX	±0.2	②	Update	03.11.2009	Dean				
DIM	TOL	①	Drawn	07.12.2007	Ken				rev06
Angle	±5°	Id.	Modification	Date	Name				

ASS 0464 CO

rev06

Replace

Sheet
4/5

1

2

3

4

5

6

7

SV3762

1

2

3

4

5

6

7

A

A

B

B

C

C

D

D

E

E

F

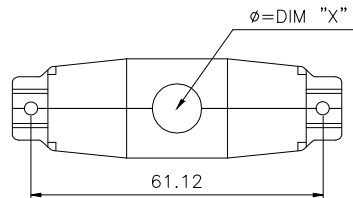
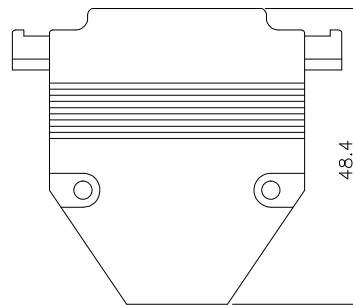
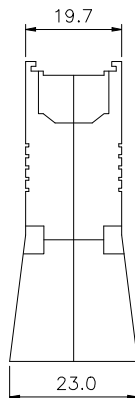
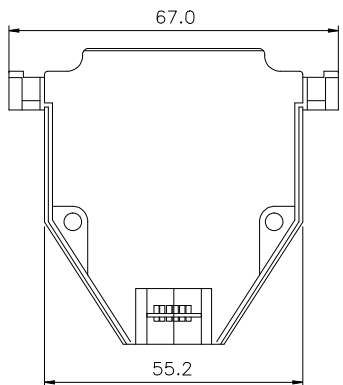
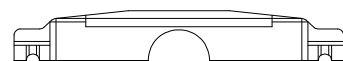
F

G

G

H

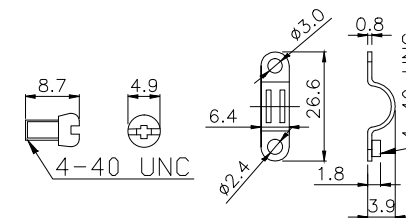
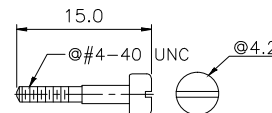
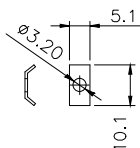
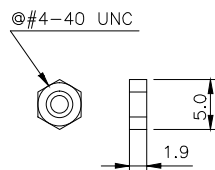
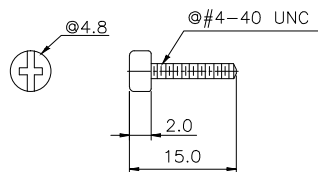
H



NOTE:

1. MATERIAL: zinc alloy
2. FINISHED: chromate plated
3. Contact No. : 50 Poles
4. CABLE ENTRY SIZE:
DIMENSION OF "X" =14.5mm

© AGP 50 G-METALL



⑤ Short screw and Clip

RoHS compliant

Scale	1:1	⑥	Correct PN	08.05.2019	Xavier		Date	Name	Customer-No.
TOLERANCE									
X.	±0.5	⑤	Add dim. of Clip and short screw	12.12.2018	Xavier	Drawn	07.12.2007	Ken	ASSMANN WSW-No. © AGP xx G-METALL
X.X	±0.3	④	Add the 50 poles	09.01.2015	Winnie	Approved	09.01.2015	Winnie	
X.XX	±0.2	③	Modify dimension X	25.11.2009	Dean				Drawing-No.
DIM	TOL	②	Update	03.11.2009	Dean				ASS 0464 CO
Angle	±5°	①	Drawn	07.12.2007	Ken				rev06
		Id.	Modification	Date	Name	Replace	Sheet	5/5	

1

2

3

4

5

6

7

SV3762