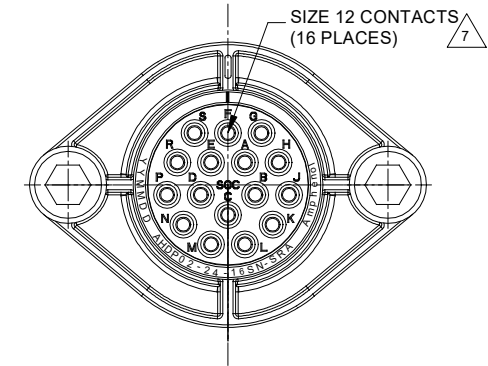
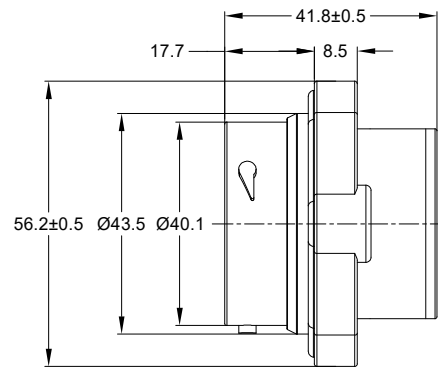
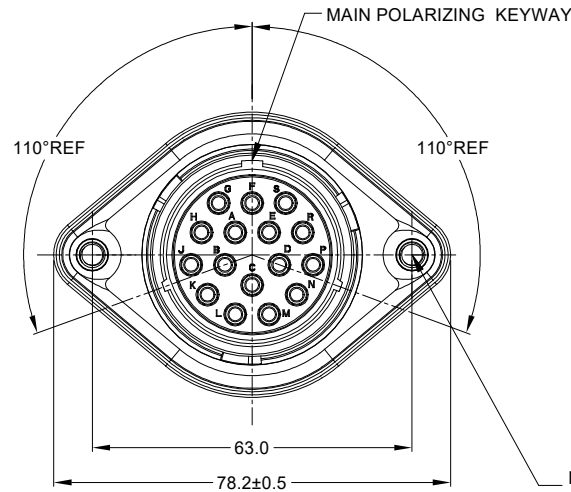


| REVISIONS |     |                     |           |       |       |
|-----------|-----|---------------------|-----------|-------|-------|
| REV       | ECO | DESCRIPTION         | DATE      | BY    | APPR  |
| A1        | -   | RELEASE NEW DRAWING | 07/JUL/20 | LOUIE | TOMMY |



M5X0.8-6H 8mm(2X) DEEP  
THREADED INSERT

NOTES: UNLESS OTHERWISE SPECIFIED

1. MATERIAL:

HOUSING: THERMOPLASTIC; BLACK  
SEAL: SILICONE RUBBER  
THREADED INSERT: STAINLESS STEEL

2. MODIFICATIONS: SMOOTH RING ADAPTOR (SRA);  
STANDARD DIA. WIRE SEAL  
SEALED PANEL MOUNT

3. SPECIFICATIONS:

- 3.1 OPERATING TEMPERATURE: -55°C TO +125°C.
- 3.2 DIELECTRIC WITHSTANDING VOLTAGE: LESS THAN 2 MILLIAMPS CURRENT LEAKAGE @ 1500 VOLTS AC.
- 3.3 INSULATION RESISTANCE: 1000 MEGOHM MIN @ 25°C.
- 3.4 MOISTURE RESISTANCE: IP67&IP69K ( MATED CONDITION ).
- 3.5 MATING CYCLE DURABILITY: 100 CYCLES
- 3.6 RoHS COMPLIANT

4. MATING PART: AHDP06-24-16P\* (\* = SEAL TYPE )

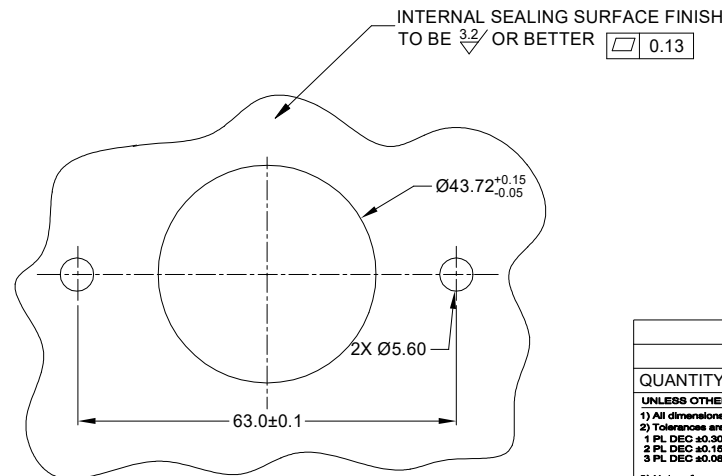
5. ALL DIMENSIONS ARE FOR REFERENCE USE ONLY.

6. RECEPTACLE IS SUPPLIED WITH DUST CAP (NOT SHOW)

CONTACT SIZE AND WIRE RANGE:

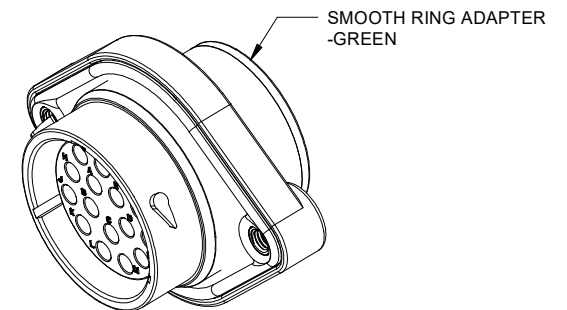
| CONTACT SIZE | MIN. INSUL O.D.   | MAX. INSUL O.D.   | TYPICAL WIRE RANGE                  | CURRENT RATING |
|--------------|-------------------|-------------------|-------------------------------------|----------------|
| 12           | 3.40 mm (.134 in) | 4.32 mm (.170 in) | 10-14 AWG (6.0-2.0mm <sup>2</sup> ) | 25 AMPS        |

RECOMMENDED TORQUE  
VALUES: 1.9-2.2 N.m



RECOMMENDED PANEL  
MOUNTING HOLE

RECOMMENDED PANEL  
THICKNESS: 1.6 TO 4.7MM



| AHPD02-24-16SN-SRA   |             | DESCRIPTION    |  | ITEM |
|--|-------------|----------------|--|------|
| QUANTITY   | PART NUMBER | MATERIALS LIST |  |      |
| UNLESS OTHERWISE SPECIFIED   |             |                |  |      |
| 1) All dimensions are in metric(mm).   |             |                |  |      |
| 2) Tolerances are as follows:  |             |                |  |      |
| 1 PL DEC ±0.30 Fractions ±1/64   |             |                |  |      |
| 2 PL DEC ±0.15 Angles ±1°  |             |                |  |      |
| 3) Note reference =  |             |                |  |      |
| SIGNATURES   |             | DATE           |  |      |
| DRAWN: LOUIE   |             | 07/JUL/20      |  |      |
| CHECKED: ORION   |             | 08/JUL/20      |  |      |
| ENGINEER:  |             |                |  |      |
| APPROVAL: TOMMY  |             | 10/JUL/20      |  |      |
| MATERIAL SPECIFICATIONS:   |             | CUSTOMER:      |  |      |
| THIS DRAWING IS SUPPLIED FOR INFORMATION ONLY. DESIGN FEATURES, SPECIFICATIONS AND PERFORMANCE DATA SHOWN HEREON ARE THE PROPERTY OF THE AMPHENOL CORPORATION. NO RIGHTS OF REPRODUCTION ARE IMPLIED. ALL DIMENSIONS ARE SUBJECT TO NORMAL MANUFACTURING VARIATIONS. |             |                |  |      |
| PROCESS SPECIFICATIONS:  |             | SCALE          |  |      |
| NEXT ASSY:   |             | SCALE          |  |      |
|  |             | SIZE           |  |      |
|  |             | TYPE           |  |      |
|  |             | DWG NO:        |  |      |
|  |             | REVISION       |  |      |
|  |             | A1             |  |      |
|  |             | NONE           |  |      |
|  |             | DURAMATE       |  |      |
|  |             | SHEET 1 OF 1   |  |      |

TITLE: 16 POS SOCKET, PIN PANELMATE AHDP SIZE 24, NORMAL SEAL, SRA  
DWG NO: AHDP02-24-16SN-SRA  
REV: A1  
SH: 1  
OF: 1

# A Series™ - Contact Size 12 Options (Works with: AHD-6, ATP, ATHD, DuraMate and PanelMate Series)

| Machined Contacts, Sockets & Pins |  |      |       |          |
|-----------------------------------|--|------|-------|----------|
| Part Number                       | Description                            | Size | AWG   | Type     |
| *AT60-204-12141-10                | Male Contact - Pin, Nickel-plated      | 12   | 10-12 | Machined |
| *AT62-203-12141-10                | Female Contact - Socket, Nickel-plated | 12   | 10-12 | Machined |
| AT60-220-1231                     | Male Contact - Pin, Gold-plated        | 12   | 12-14 | Machined |
| AT62-210-1231                     | Female Contact - Socket, Gold-plated   | 12   | 12-14 | Machined |
| AT60-204-12141                    | Male Contact - Pin, Nickel-plated      | 12   | 12-14 | Machined |
| AT62-203-12141                    | Female Contact - Socket, Nickel-plated | 12   | 12-14 | Machined |

\*Works with ATP Series only

| DiagnosticGrade™ Machined Contacts, Sockets & Pins   |  |      |     |          |
|--|--|------|-----|----------|
| • Smaller AWG for Diagnostic Applications • Gold-plated • Increased Mating Cycles • Cost-effective |  |      |     |          |
| Part Number  | Description  | Size | AWG | Type     |
| 65-54749   | Male Contact - DiagnosticGrade™, Pin, Gold-plated      | 12   | 20  | Machined |
| AT62-210-1231-1820   | Female Contact - DiagnosticGrade™, Socket, Gold-plated | 12   | 20  | Machined |

| Tooling - Machined Contacts |  |
|-----------------------------|--|
| Part Number                 | Description  |
| AUTK-12                     | Hand Crimp Tool, Size 12   |
| AUTK-100                    | Universal Heavy Duty Contact Crimping Tool Kit, Size 12/16/20      |
| CA-5D12                     | Universal Hand Crimp Tool, Size 12/16/20                           |
| CA-5E12                     | Pneumatic Crimp Tool, Size 12/16/20                                |
| M300-25A                    | Hand Crimp Tool used with Crimp Locator MFX-3966, Size 12, 10AWG   |
| MFX-3966                    | Contact Locator used with Hand Crimp Tool M300-25A, Size 12, 10AWG |

| Contact Removal Tools (For both Machined or Stamped & Formed Contacts) |  |
|--|--|
| Part Number  | Description                            |
| ATRT-100   | Contact and Wedgelock Extraction Tool  |
| AT11-337-1205  | Contact Removal Tool, Plastic, Size 12 |

| Sealing Plugs (For both Machined or Stamped & Formed Contacts) |                              |
|--|------------------------------|
| Part Number  | Description                  |
| A114017  | Sealing Plug, Size 12, White |

| Stamped & Formed Contacts, Sockets & Pins |  |      |       |                  |
|---|--|------|-------|------------------|
| Part Number                               | Description                            | Size | AWG   | Type             |
| AT60-12-0244                              | Male Contact - Pin, Gold-plated        | 12   | 10-12 | Stamped & Formed |
| AT62-12-0244                              | Female Contact - Socket, Gold-plated   | 12   | 10-12 | Stamped & Formed |
| AT60-12-0222                              | Male Contact - Pin, Nickel-plated      | 12   | 10-12 | Stamped & Formed |
| AT62-12-0222                              | Female Contact - Socket, Nickel-plated | 12   | 10-12 | Stamped & Formed |
| AT60-12-0144                              | Male Contact - Pin, Gold-plated        | 12   | 12-14 | Stamped & Formed |
| AT62-12-0144                              | Female Contact - Socket, Gold-plated   | 12   | 12-14 | Stamped & Formed |
| AT60-12-0166                              | Male Contact - Pin, Nickel-plated      | 12   | 12-14 | Stamped & Formed |
| AT62-12-0166                              | Female Contact - Socket, Nickel-plated | 12   | 12-14 | Stamped & Formed |

| Tooling - Stamped & Formed Contacts |   |
|-------------------------------------|---|
| Part Number                         | Description                                 |
| MFX-3973                            | Crimp Die - Size 12                         |
| MFX-3985                            | Crimp Die - Ssize 12, 10-12AWG -02XX Series |
| ATT-12-00                           | Hand Crimp Tool - Size 12, 12AWG            |
| ATT-12-01                           | Hand Crimp Tool - Size 12, 10AWG            |