

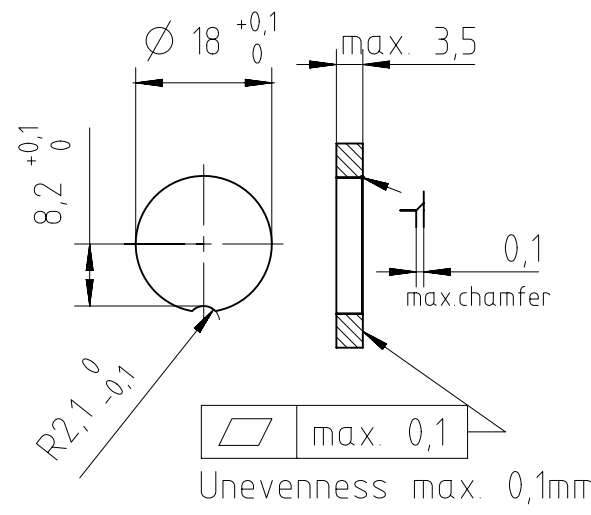
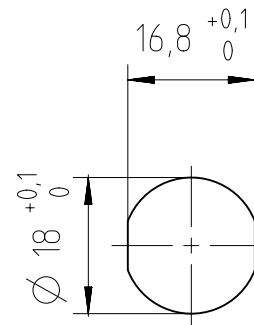
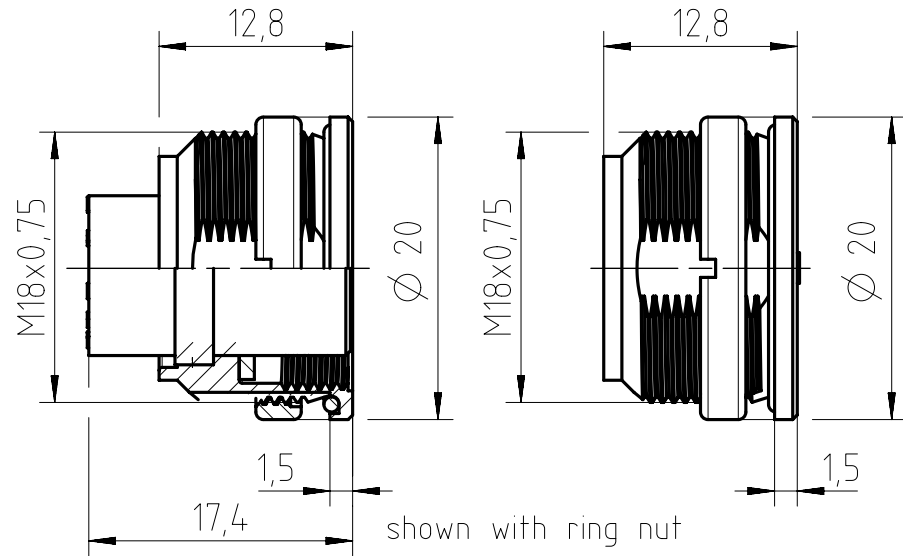
Panel Cutout M1:1

Valid for contact arrangement:  
05b, 07b, 08a, 12a, 14a

Valid for contact arrangement:  
03a, 04a, 05a, 06a, 07a

Alternative 1

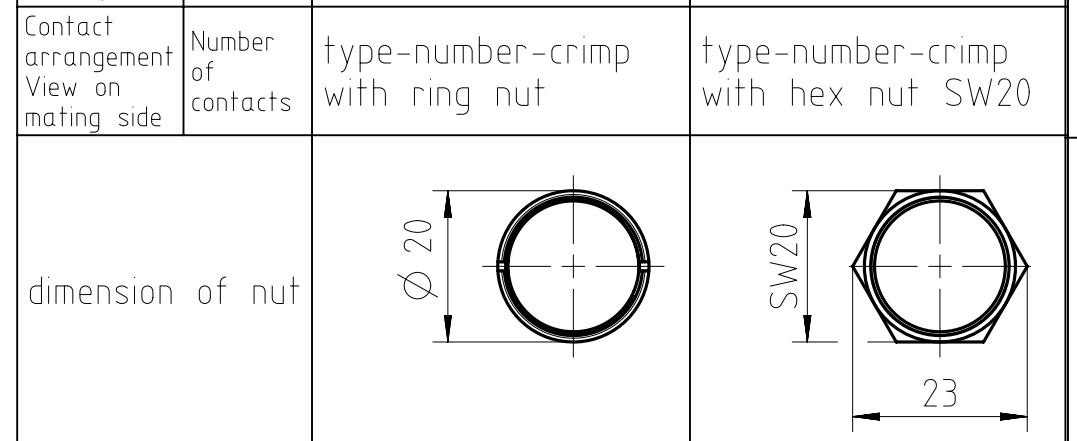
Alternative 2



Recommended roughness sealing surface Rz6,3 (Ra0,8)

Number of contacts	Standard	3	4	5	5S	6	7	7	8	12	14	
Contact arrangement	DIN EN 61076-2-106	03-a	04-a	05-a	05-b	06-a	07-a	07-b	08-a	12-a	14-a	
Contact arrangement	IEC 60130-9 <sup>1)</sup>											
Rated voltage <sup>2)</sup>	IEC 60664-1	300 V (100 V)	300 V (63 V)	100 V (32 V)	300 V (63 V)			100 V (32 V)		150 V (32 V)		
Rated voltage	UL 1977	250 V						60 V				
Rated impulse withstand voltage <sup>2)</sup>	IEC 60664-1	1500 V (840 V)		1200 V (500 V)	1500 V (840 V)		1200 V (500 V)					
Pollution degree <sup>2)</sup>	IEC 60664-1	1 (3 <sup>3)</sup> )										
Installation category	IEC 60664-1	I										
Insulation group	IEC 60664-1	II, 400 ≤ CTI < 600										
Current rating	IEC 60512-5-2 UL 1977	10A/+40°C		7A/+40°C/+104°F				3A/+40°C/+104°F				
Insulation resistance	IEC 60512-3-1	>10 <sup>10</sup> Ohm <sup>4)</sup>										
Contact resistance	IEC 60512-2-1	<5m Ohm										
Climatic category	IEC 60668-1	40 / 100 / 56										
Temperatur range	IEC 60668-1	-40°C...+100°C / -40°F...+212°F										
salt spray resistance	DIN IEC 60068-2-11	720h										
IP degree	IEC 60529	IP 69K / IP 67 / IP 65 (in mated condition)										
Insertion and withdrawal force	IEC 60512-13-2	25N	30N	35N	50N	55N	60N	50N				
Mechanical operation	IEC 60512-9-1	silver ≥500 mating cycles gold ≥1000 mating cycles										
Housing material		brass and / or zinc die cast, nickel plated										
Dielectric material		thermoplastic										
Contacts		silver or gold plated, please order contacts separately acc. to drawing M-N 02 015 00XX X (3-8pol) or M-N 02 010 0157 X U (12-14pol)										
Termination technique		crimp										
Wire gauge		2-6 pol (exclusive 5S): 0,09-1,0mm <sup>2</sup> / 28-18 AWG				0,09-0,25mm <sup>2</sup> / 28-24 AWG						
Flamability		UL 94 V0										
locking system	IEC 60130-9 DIN EN 61076-2-106	metal screw coupling; tightening torque 1,0-1,5Nm										

	14 (14-a)	C091 11N014 000 2 U	C091 11N014 009 2 U
	12 (12-a)	C091 11N012 000 2 U	C091 11N012 009 2 U
	8 (08-a)	C091 11N008 000 2 U	C091 11N008 009 2 U
	7 (07-b)	C091 11N107 000 2 U	C091 11N107 009 2 U
	7 (07-a)	C091 11N007 000 2 U	C091 11N007 009 2 U
	6 (06-a)	C091 11N006 000 2 U	C091 11N006 009 2 U
	5 (05-b)	C091 11N105 000 2 U	C091 11N105 009 2 U
	5 (05-a)	C091 11N005 000 2 U	C091 11N005 009 2 U
	4 (04-a)	C091 11N004 000 2 U	C091 11N004 009 2 U
	3 (03-a)	C091 11N003 000 2 U	C091 11N003 009 2 U
Contact arrangement View on mating side	Number of contacts	type-number-crimp with ring nut	type-number-crimp with hex nut SW20



Gewicht (errechnet) / Calc WT:	Zul. Abw./Tolerances:	Maßstab / Scale: 2:1;1:1	A3
Prüfmaß / Testdimension	ISO 2768-c	CUSTOMER DRAWING	
Teileindex / Partindexnumber:	DIN / ISO 13715	Gerätedose	
Bagatelle change:	Gez. Drawn: 12.03.2020	female receptacle	
	Status: Released		
	Gepr. Checked: 30.04.2020		
	MGRIMM		
	<b>Amphenol Tuchel Industrial GmbH</b>	M C091 11NXXX 00X 2 U	Blatt / Sheet 1
01	202000001	30.04.2020	1 Bl.
Index	Änderung / Description	Datum / Date	Name
			Ers. f. / Replacement for: M-C091 11NXXX 000 2 U Rev.01

Copying of this document and giving it to others and the use or communication of the contents thereof, are forbidden without express authority. Offenders are liable to the payment of damages. All rights are reserved in the event of the grant of a patent or the registration of the utility model or design.

<sup>1)</sup> Edition 2000-05  
<sup>2)</sup> values in brackets are according to DIN EN 61076-2-106  
<sup>3)</sup> designed acc. pollution degree 2; can be used under pollution degree 3 when the rules of IEC 60644-1 are fulfilled  
<sup>4)</sup> under operating conditions >10<sup>8</sup> Ohm  
 All technical data have been measured in a laboratory environment and can be different during practical usage of the product. Any product information is for descriptive usage only and not legally binding; particularly the information does not constitute or provide any legal guaranties. Do not connect or disconnect under load. Metal housing parts shall be securely incorporated to protected ground. Parts according to directive 2002/95/EG (RoHS).

FAI2020-000921  
NXM-V01