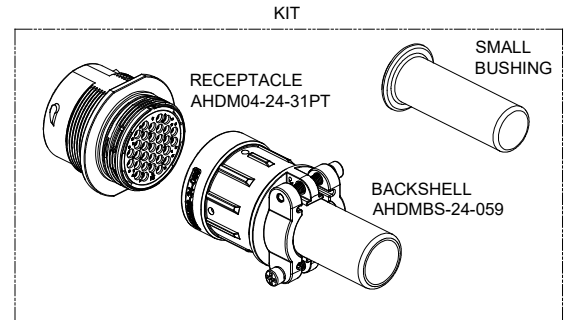
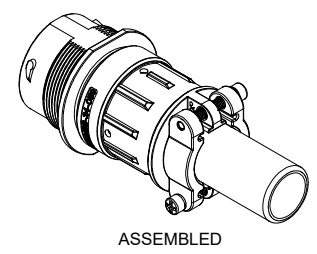


| REVISIONS |     |             |           |         |      |
|-----------|-----|-------------|-----------|---------|------|
| REV       | ECO | DESCRIPTION | DATE      | BY      | APPR |
| A1        | --  | RELEASED    | 16MAR2020 | J. HEAD | DH   |

NOTES: UNLESS OTHERWISE SPECIFIED

- RECEPTACLE MATERIAL:  
SHELL: ZINC ALLOY, NICKEL PLATED  
INSERT AND RETAINING RING: THERMOPLASTIC  
SEAL: SILICONE RUBBER
- BACKSHELL MATERIAL:  
SHELL: ALUMINIUM ALLOY, NICKEL PLATED;  
LATCH SEGMENT: ALUMINIUM ALLOY, NICKEL PLATED;  
SCREW AND LOCK WASHER: STAINLESS STEEL;  
BUSHING: EPDM.
- SPECIFICATIONS:  
3.1 OPERATING TEMPERATURE: -55°C TO +125°C.  
3.2 DIELECTRIC WITHSTANDING VOLTAGE: LESS THAN 2 MILLIAMPS CURRENT LEAKAGE @ 1500 VOLTS AC.  
3.3 INSULATION RESISTANCE: 1000 MEGOHM MIN @ 25°C.  
3.4 MOISTURE RESISTANCE: IP67 & IP69K (MATED CONDITION).  
3.5 MATING CYCLE DURABILITY: 100 CYCLES  
3.6 RoHS COMPLIANT
- APPLY TO CABLE OD SIZE: Ø11.20-Ø24.08 . CAN BE USED:  
4.1. WITH LARGE AND SMALL BUSHINGS IN PLACE.  
4.2. WITH ONLY LARGE BUSHING IN PLACE.  
4.3. WITH BOTH BUSHINGS REMOVED.
- ALL DIMENSIONS ARE FOR REFERENCE USE ONLY.
- SEE SPECIFIC RECEPTACLE DRAWING FOR:  
6.1 CONTACT SIZE AND WIRE RANGE.  
6.2 RETAINING RING COLOR.  
6.3 MATING PART(S).  
6.4 CONTACT LAYOUT AND ALL OTHER SPECIFICATIONS.



|                                       |  |  |  |
|---------------------------------------|--|--|--|
| AHDMS-24-059                          |  | HDM-24-31PT-059  |  |
| PART NUMBER                           |  | DESCRIPTION  |  |
| QUANTITY                              |  | ITEM   |  |
| <b>MATERIALS LIST</b>                 |  |  |  |
| UNLESS OTHERWISE SPECIFIED            |  |  |  |
| 1) All dimensions are in metric (mm). |  |  |  |
| 2) Tolerances are as follows:         |  |  |  |
| 1 PL DEC ±0.30                        |  | Fractions ±1/64  |  |
| 2 PL DEC ±0.15                        |  | Angles ±1°   |  |
| 3 PL DEC ±0.08                        |  |  |  |
| 3) Note reference =                   |  |  |  |
| SIGNATURES                            |  | DATE   |  |
| DRAWN: J. HEAD                        |  | 16MAR2020  |  |
| CHECKED:                              |  |  |  |
| ENGINEER:                             |  |  |  |
| APPROVAL:                             |  |  |  |
| MATERIAL SPECIFICATIONS:              |  | CUSTOMER:  |  |
| PROCESS SPECIFICATIONS:               |  | THIS DRAWING IS SUPPLIED FOR INFORMATION ONLY. DESIGN FEATURES, SPECIFICATIONS AND PERFORMANCE DATA SHOWN HEREON ARE THE PROPERTY OF THE AMPHENOL CORPORATION. NO RIGHTS OF REPRODUCTION ARE IMPLIED. ALL DIMENSIONS ARE SUBJECT TO NORMAL MANUFACTURING VARIATIONS. |  |
| NEXT ASSY:                            |  | SCALE: NONE  |  |
|                                       |  | SHEET 1 OF 1   |  |

**Amphenol**  
Sine Systems - www.amphenol-sine.com  
44724 Morley Drive  
Clinton Township, MI 48036

**DURAMATE AHDM RECEPT, SIZE 24, WD THD, KIT W/ CABLE CLAMP BACKSHELL**

SIZE: **B** TYPE: **C-** DWG NO: **AHDM04-24-31PT-059** REVISION: **A1**

TITLE: KIT RECEPT AND BACKSHELL SZ 24  
DWG NO: AHDMS-24-31PT-059  
REV: A1  
SH: 1  
OF: 1

# A Series™ - Contact Size 16 Options (Works with: AT, ATV, AHD-9, ARC, DuraMate and PanelMate Series)

| Machined Contacts, Sockets & Pins |  |      |       |          |
|-----------------------------------|--|------|-------|----------|
| Part Number                       | Description                            | Size | AWG   | Type     |
| AT60-215-1631                     | Male Contact - Pin, Gold-plated        | 16   | 14    | Machined |
| AT62-209-1631                     | Female Contact - Socket, Gold-plated   | 16   | 14    | Machined |
| AT60-215-16141                    | Male Contact - Pin, Nickel-plated      | 16   | 14    | Machined |
| AT62-209-16141                    | Female Contact - Socket, Nickel-plated | 16   | 14    | Machined |
| AT60-202-1631                     | Male Contact - Pin, Gold-plated        | 16   | 16-20 | Machined |
| AT62-201-1631                     | Female Contact - Socket, Gold-plated   | 16   | 16-20 | Machined |
| AT60-202-16141                    | Male Contact - Pin, Nickel-plated      | 16   | 16-20 | Machined |
| AT62-201-16141                    | Female Contact - Socket, Nickel-plated | 16   | 16-20 | Machined |
| AT60-202-1631-22                  | Male Contact - Pin, Gold-plated        | 16   | 22-24 | Machined |
| AT62-201-1631-22                  | Female Contact - Socket, Gold-plated   | 16   | 22-24 | Machined |
| AT60-202-16141-22                 | Male Contact - Pin, Nickel-plated      | 16   | 22-24 | Machined |
| AT62-201-16141-22                 | Female Contact - Socket, Nickel-plated | 16   | 22-24 | Machined |

| Tooling - Machined Contacts |   |
|-----------------------------|---|
| Part Number                 | Description   |
| AUTK-16                     | Hand Crimp Tool, Size 16                                      |
| AUTK-100                    | Universal Heavy Duty Contact Crimping Tool Kit, Size 12/16/20 |
| CA-5D12                     | Universal Hand Crimp Tool, Size 12/16/20                      |
| CA-5E12                     | Pneumatic Crimp Tool, Size 12/16/20                           |

| Contact Removal Tools (For both Machined or Stamped & Formed Contacts) |  |
|--|--|
| Part Number  | Description                            |
| ATRT-100   | Contact and Wedgelock Extraction Tool  |
| AT11-310-1605  | Contact Removal Tool, Plastic, Size 16 |

| Sealing Plugs (For both Machined or Stamped & Formed Contacts) |   |
|--|---|
| Part Number  | Description                                     |
| A114017  | Sealing Plug, Size 16, White                    |
| A114017-SR   | Sealing Plug, Size 16, SR01 Series, Black       |
| AT13-217-1605  | Locking Sealing Plug, Size 16, Grey             |
| AT13-217-1605-SR   | Locking Sealing Plug, Size 16, SR01 Series, Red |

| Stamped & Formed Contacts, Sockets & Pins |  |      |       |                  |
|---|--|------|-------|------------------|
| Part Number                               | Description                            | Size | AWG   | Type             |
| AT60-14-0122                              | Male Contact - Pin, Nickel-plated      | 16   | 14-18 | Stamped & Formed |
| AT62-14-0122                              | Female Contact - Socket, Nickel-plated | 16   | 14-18 | Stamped & Formed |
| AT60-14-0144                              | Male Contact - Pin, Gold-plated        | 16   | 14-18 | Stamped & Formed |
| AT62-14-0144                              | Female Contact - Socket, Gold-plated   | 16   | 14-18 | Stamped & Formed |
| AT60-16-0122                              | Male Contact - Pin, Nickel-plated      | 16   | 16-18 | Stamped & Formed |
| AT62-16-0122                              | Female Contact - Socket, Nickel-plated | 16   | 16-18 | Stamped & Formed |
| AT60-16-0144                              | Male Contact - Pin, Gold-plated        | 16   | 16-18 | Stamped & Formed |
| AT62-16-0144                              | Female Contact - Socket, Gold-plated   | 16   | 16-18 | Stamped & Formed |
| AT60-16-0622                              | Male Contact - Pin, Nickel-plated      | 16   | 16-20 | Stamped & Formed |
| AT62-16-0622                              | Female Contact - Socket, Nickel-plated | 16   | 16-20 | Stamped & Formed |
| AT60-16-0644                              | Male Contact - Pin, Gold-plated        | 16   | 16-20 | Stamped & Formed |
| AT62-16-0644                              | Female Contact - Socket, Gold-plated   | 16   | 16-20 | Stamped & Formed |
| AT60-16-0677                              | Male Contact - Pin, Tin-plated         | 16   | 16-20 | Stamped & Formed |
| AT62-16-0677                              | Female Contact - Socket, Tin-plated    | 16   | 16-20 | Stamped & Formed |
| AT60-16-0822                              | Male Contact - Pin, Nickel-plated      | 16   | 20-22 | Stamped & Formed |
| AT62-16-0822                              | Female Contact - Socket, Nickel-plated | 16   | 20-22 | Stamped & Formed |
| AT60-16-0844                              | Male Contact - Pin, Gold-plated        | 16   | 20-22 | Stamped & Formed |
| AT62-16-0844                              | Female Contact - Socket, Gold-plated   | 16   | 20-22 | Stamped & Formed |

| Tooling - Stamped & Formed Contacts |                                     |
|-------------------------------------|-------------------------------------|
| MFX-3950                            | Crimp Die - Size 16, 18-20AWG       |
| MFX-3953                            | Crimp Die - Size 16, 16-18AWG       |
| MFX-3975                            | Crimp Die - Size 16, 14-16AWG       |
| MFX-3990                            | Crimp Die - Size 16, 20-22AWG       |
| ATT-16-00                           | Hand Crimp Tool - Size 16, 14-16AWG |
| ATT-16-01                           | Hand Crimp Tool - Size 16, 18-20AWG |
| ATT-1612-03                         | Hand Crimp Tool - Size 16, 20-22AWG |