



MPQ8112/MPQ8112A

60V, High-Side Current-Sense Amplifier, AEC-Q100 Qualified

DESCRIPTION

The MPQ8112 and MPQ8112A are low-cost, unipolar, high-side current-sense amplifiers. The devices operate from a 2.7V to 60V supply and typically consume a 300 μ A current. They are ideal for today's automotive systems, industrial supplies, and systems where battery/DC current monitoring is critical.

High-side current monitoring is especially useful in battery-powered systems, since it does not interfere with the ground path of the battery charger. The common mode input ranges between 0V and 60V with a 700kHz high bandwidth. That makes these devices suitable for use in inside control and short-circuit protection loops.

The MPQ8112 directly converts a differential input voltage to a voltage output with built-in internal common input resistors and a load resistor. The MPQ8112 has a 50V/V gain.

The MPQ8112A converts the differential input voltage to a current output. This current is converted back to a voltage with an external load resistor. The MPQ8112A has an adjustable gain based on the external common input resistors and load resistor.

Both the MPQ8112 and MPQ8112A are available in TSOT23-6L packages.

MPQ8112 FAMILY VERSIONS

| Part Number | Output Gain |
|-------------|-------------|
| MPQ8112 | 50V/V |
| MPQ8112A | Adjustable |

FEATURES

- Low-Cost, Compact Current-Sense Solution
- 700kHz Bandwidth
- 300 μ A Typical Supply Current
- 2.7V to 60V Operating Supply Voltage
- 0V to 60V Common Mode Input Range
- 0.2 μ A Typical Shutdown Current
- 300 μ V Input Offset Voltage
- Available with Fixed 50V/V Gain (MPQ8112), or Adjustable Gain (MPQ8112A)
- \pm 1% Current-Sense Gain Accuracy
- High-Current Sensing Capabilities
- Available in a 6-Lead TSOT23 Package
- Available in AEC-Q100 Grade 1

APPLICATIONS

- Advanced Driver Assistance Systems (ADAS)
- Sensor Fusion Systems
- Electric Power Steering (EPS) Systems
- Electronic Stability Control (ESC) Systems
- Brake Systems
- Battery-Operated Systems
- Energy Management Systems

All MPS parts are lead-free, halogen-free, and adhere to the RoHS directive. For MPS green status, please visit the MPS website under Quality Assurance. "MPS", the MPS logo, and "Simple, Easy Solutions" are trademarks of Monolithic Power Systems, Inc. or its subsidiaries.

TYPICAL APPLICATIONS

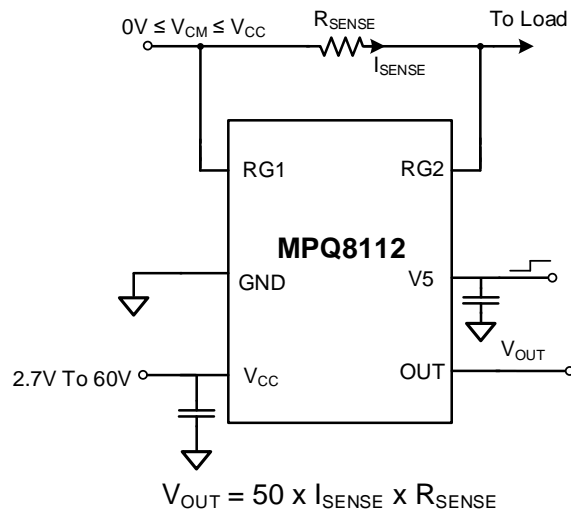


Figure 1: MPQ8112 (Voltage Output)

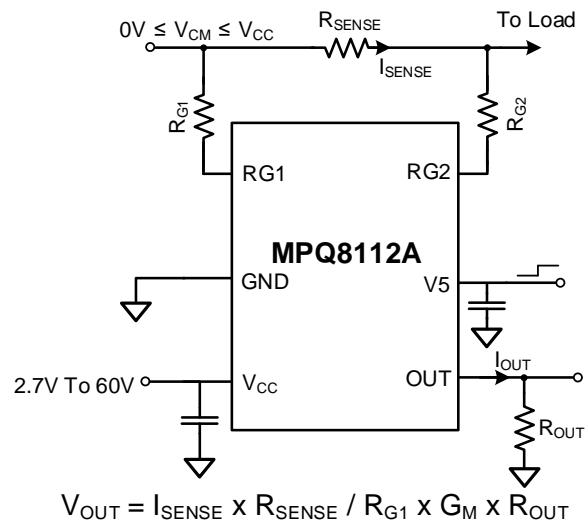


Figure 2: MPQ8112A (Current Output)

ORDERING INFORMATION

| Part Number* | Package | Top/Bottom Markings | MSL Rating** |
|-----------------|-----------|---------------------|--------------|
| MPQ8112GJ-AEC1 | TSOT23-6L | See Below | 1 |
| MPQ8112AGJ-AEC1 | TSOT23-6L | See Below | |

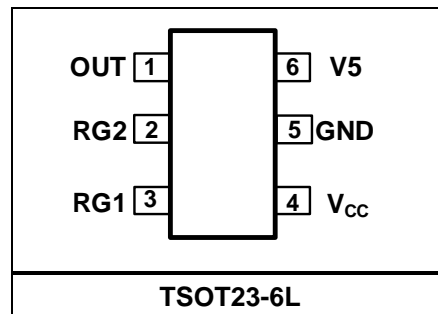
* For Tape & Reel, add suffix -Z (e.g. MPQ8112GJ-AEC1-Z).

** Moisture Sensitivity Level Rating

TOP MARKING

| Part Number | Top Marking | Bottom Marking | Definitions |
|-----------------|-------------|----------------|---|
| MPQ8112GJ-AEC1 | AXDY | CLLL | AXD: Product code Y: Year code C: Suffix LLL: Lot number |
| MPQ8112AGJ-AEC1 | BMLY | LLLL | BML: Product code Y: Year code LLLL: Lot number |

PACKAGE REFERENCE



PIN FUNCTIONS

| Pin # | Name | Description |
|-------|-----------------|--|
| 1 | OUT | Output. The MPQ8112 does not require an external resistor, so the OUT pin can be left floating. For the MPQ8112A, connect an external resistor to OUT to set the gain. |
| 2 | RG2 | Negative gain resistor. For the MPQ8112, connect RG2 directly to the load side of the current-sense resistor, as closely as possible. For the MPQ8112A, connect RG2 to the load side of the current-sense resistor through a gain resistor (R_{G2}). R_{G2} should be below 4k Ω to obtain high current-sense accuracy. It is recommended for R_{G2} and R_{G1} to equal 1k Ω . |
| 3 | RG1 | Positive gain resistor. For the MPQ8112, connect RG1 directly to the power side of the current-sense resistor, as closely as possible. For the MPQ8112A, connect RG1 to the power side of the current-sense resistor through a gain resistor (R_{G1}). R_{G1} should be below 4k Ω to obtain the high current-sense accuracy. It is recommended for R_{G1} to equal 1k Ω . |
| 4 | V _{CC} | Power input. Place a bypass capacitor between V _{CC} and GND, as close as possible. A 0.1 μ F to 1 μ F low-ESR ceramic capacitor is recommended. |
| 5 | GND | Ground. |
| 6 | V5 | Power supply for internal trim and control block. Pull V5 above its 2V upper threshold to enable the part. Pull V5 below its 1.9V lower threshold to disable the part. The power source connected to V5 must be able to output a current above 1mA. Place a bypass capacitor between V5 and GND. A 10nF to 100nF low-ESR ceramic capacitor is recommended. |

ABSOLUTE MAXIMUM RATINGS ⁽¹⁾

| | |
|---|-------------------------------------|
| V _{CC} to GND | -0.3V to +62V |
| RG1, RG2 to GND | -0.3V to V _{CC} |
| V _{CC} to RG1, RG2 | -0.3V to +62V |
| OUT to GND | -0.3V to +22V (MPQ8112) |
| OUT to GND | -0.3V to V _{CC} (MPQ8112A) |
| Differential input voltage (V _{RG1} - V _{RG2}) | ±400mV |
| V5 to GND | -0.3V to +6V |
| Max junction temperature | 150°C |
| Storage temperature | -65°C to +150°C |
| Continuous power dissipation (T _A = 25°C) ⁽²⁾ | |
| TSOT23-6L | 0.57W |

ESD Ratings ⁽³⁾

| | |
|----------------------------|-------|
| Human body model (HBM) | ±2kV |
| Charged device model (CDM) | ±750V |

Recommended Operating Conditions

| | |
|---|---|
| V _{CC} to GND | 2.7V to 60V |
| RG1, RG2 to GND | 0V to V _{CC} |
| V _{CC} to RG1, RG2 | 0V to 60V |
| OUT to GND | 0V to 20V (MPQ8112) |
| OUT to GND | 0V to V _{CC} - 0.7V (MPQ8112A) |
| Operating junction temp (T _J) | |
| | -40°C to +125°C ⁽⁴⁾ |

Thermal Resistance ⁽⁵⁾ θ_{JA} θ_{JC}

| | |
|-----------|-------------------|
| TSOT23-6L | 220 .. 110.. °C/W |
|-----------|-------------------|

Notes:

- Exceeding these ratings may damage the device.
- The maximum allowable power dissipation is a function of the maximum junction temperature, T_J (MAX), the junction-to-ambient thermal resistance, θ_{JA} , and the ambient temperature, T_A. The maximum allowable continuous power dissipation at any ambient temperature is calculated by P_D (MAX) = (T_J (MAX) - T_A) / θ_{JA} . Exceeding the maximum allowable power dissipation will cause excessive die temperature, and the regulator will go into thermal shutdown. Internal thermal shutdown circuitry protects the device from permanent damage.
- These devices are ESD-sensitive. It is recommended to handle them with precaution.
- It is possible to operate the devices at junction temperatures above 125°C. Contact an MPS FAE for details.
- The value of θ_{JA} given in this table is only valid for comparison with other packages and cannot be used for design purposes. These values were calculated in accordance with JESD51-7, and simulated on a specified JEDEC board. They do not represent the performance obtained in an actual application.

ELECTRICAL CHARACTERISTICS

$V_{CC} = 12V$, $V_{RG1} = 12V$, $T_A = -40^{\circ}C$ to $+125^{\circ}C$, typical values at $T_J = 25^{\circ}C$. $R_{G1} = R_{G2} = 0\Omega$, and R_{OUT} not used for the MPQ8112. $R_{G1} = R_{G2} = 1k\Omega$, and $R_{OUT} = 10k\Omega$ for the MPQ8112A. All unless otherwise noted.

| Parameter | Symbol | Conditions | Min | Typ | Max | Units |
|---|-----------------------|---|------|------|----------|---------|
| Supply voltage | V_{CC} | | 2.7 | | 60 | V |
| Common mode input voltage | V_{CM} | | 0 | | V_{CC} | V |
| V5 supply voltage | V_5 | | 2.7 | | 5.5 | V |
| Supply current | $I_{CC} + I_{V5}$ | $V_{SENSE} = 0$, $V_{CC} = 60V$, $V_5 = 5V$ | | 300 | 360 | μA |
| Common mode input rejection ⁽⁶⁾ | CMR | $V_{SENSE} = 100mV$, $V_{CC} = 60V$, $V_{CM1} = 60V$, $V_{CM2} = 22V$ | 65 | 90 | | dB |
| Full-scale sense voltage | V_{SENSE} | $V_{SENSE} = V_{RG1} - V_{RG2}$ | | | 200 | mV |
| Input offset voltage ⁽⁷⁾ | V_{OS} | $V_{CM} = 12V$, $V_{SENSE1} = 100mV$, $V_{SENSE2} = 20mV$ | | 0.3 | 1 | mV |
| Input bias current | I_{RG1} , I_{RG2} | $V_{CM} = 12V$ | | 0.25 | 1 | μA |
| Current-sense gain | G_M | $T_J = 25^{\circ}C$ | 4.95 | 5 | 5.05 | A/A |
| | | $T_J = -40^{\circ}C$ to $+125^{\circ}C$ | 4.9 | 5 | 5.1 | |
| Output voltage gain | A_V | MPQ8112, $V_{SENSE} = 100mV$, $V_{CM} = 12V$, $T_J = 25^{\circ}C$ | 49.5 | 50 | 50.5 | V/V |
| | | MPQ8112, $V_{SENSE} = 100mV$, $V_{CM} = 12V$, $T_J = -40^{\circ}C$ to $+125^{\circ}C$ | 49 | 50 | 51 | |
| Bandwidth ⁽⁸⁾ | BW | $C_{OUT} = 5pF$ | | 700 | | kHz |
| Power supply rejection ratio ⁽⁹⁾ | PSRR | $V_{CC1} = 60V$, $V_{CC2} = 2.7V$, $V_{SENSE} = 24mV$ | 70 | 80 | | dB |
| V5 upper threshold voltage | V_{TH_UPPER} | | 1.3 | 2 | 2.5 | V |
| V5 lower threshold voltage | V_{TH_LOWER} | | 1.2 | 1.9 | 2.4 | V |
| V5 shutdown supply current | $I_{CC(SHDN)}$ | $V_5 = 1V$ | | 0.2 | 2 | μA |
| Output respond time ⁽⁸⁾ | | $R_{G1} = R_{G2} = 1k\Omega$, $R_{OUT} = 10k\Omega$, $V_{SENSE} = 5mV$ to $100mV$, V_{OUT} from 10% to 90% | | 500 | | ns |
| | | $R_{G1} = R_{G2} = 1k\Omega$, $R_{OUT} = 10k\Omega$, $V_{SENSE} = 100mV$ to $5mV$, V_{OUT} from 10% to 90% | | 500 | | |

Notes:

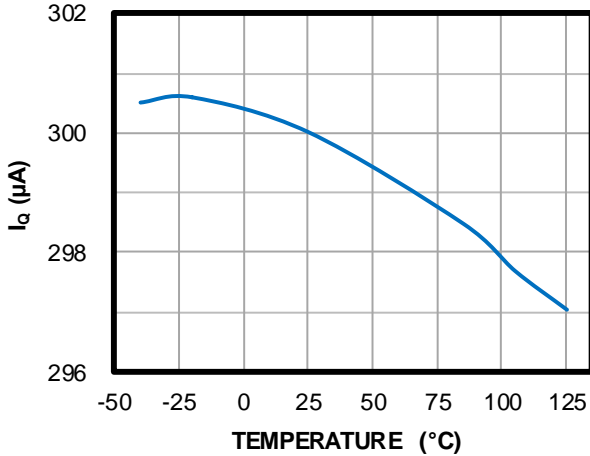
- 6) $CMR = 20 \times \log[(V_{CM1} - V_{CM2}) / (V_{OUT1} - V_{OUT2})]$. V_{OUT1} is the output voltage at V_{CM1} , and V_{OUT2} is the output voltage at V_{CM2} .
- 7) $V_{OS} = V_{SENSE1} - V_{OUT1} / [(V_{OUT1} - V_{OUT2}) / (V_{SENSE1} - V_{SENSE2})]$. V_{OUT1} is the output voltage at V_{SENSE1} , and V_{OUT2} is the output voltage at V_{SENSE2} .
- 8) Not tested in production. Guaranteed by design and characterization.
- 9) $PSRR = 20 \times \log[(V_{CC1} - V_{CC2}) / (V_{OUT1} - V_{OUT2})]$. V_{OUT1} is the output voltage at V_{CC1} , and V_{OUT2} is the output voltage at V_{CC2} .

TYPICAL CHARACTERISTICS

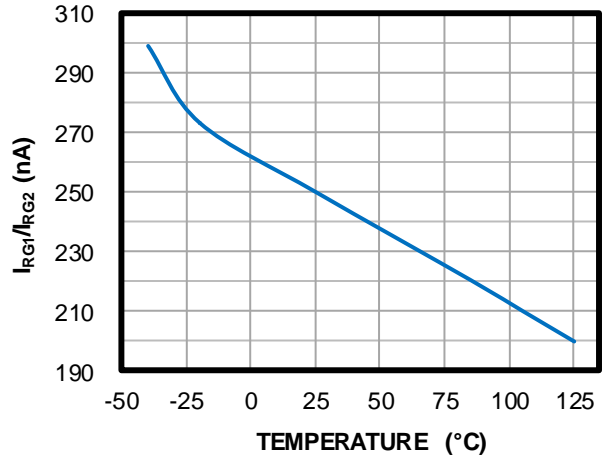
$V_{CC} = V_{RG1} = 12V$, $V_5 = 5V$, $T_J = -40^{\circ}C$ to $+125^{\circ}C$, unless otherwise noted.

Supply Current vs. Temperature

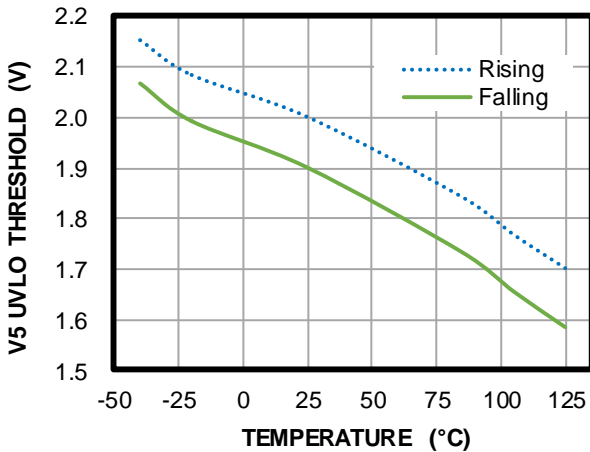
$I_Q = I_{CC} + I_{V5}$



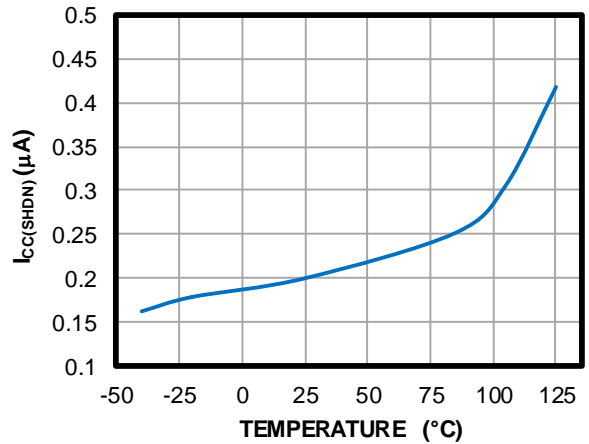
Input Bias Current vs. Temperature



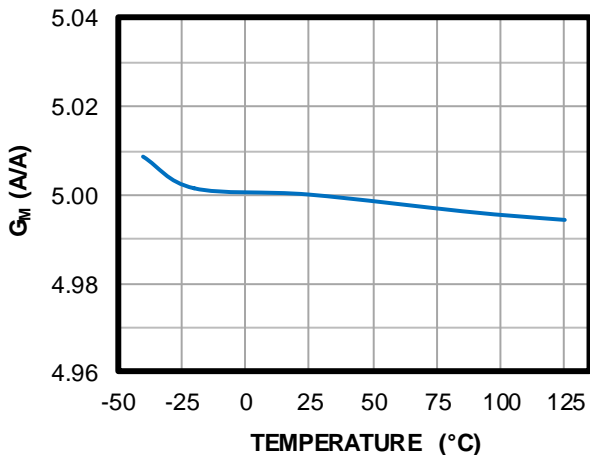
V5 UVLO Threshold vs. Temperature



V5 Shutdown Supply Current vs. Temperature

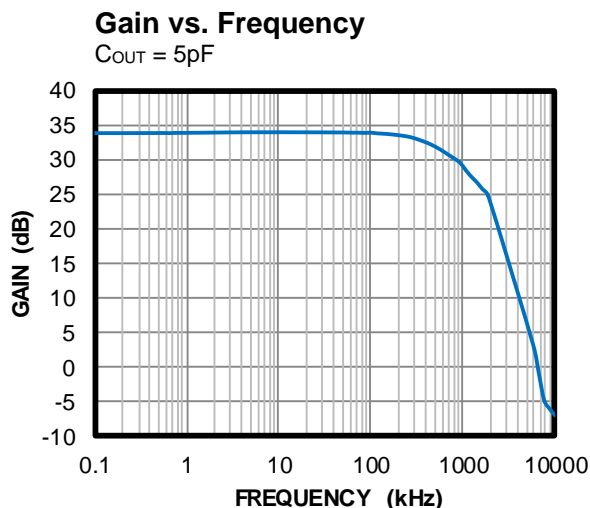
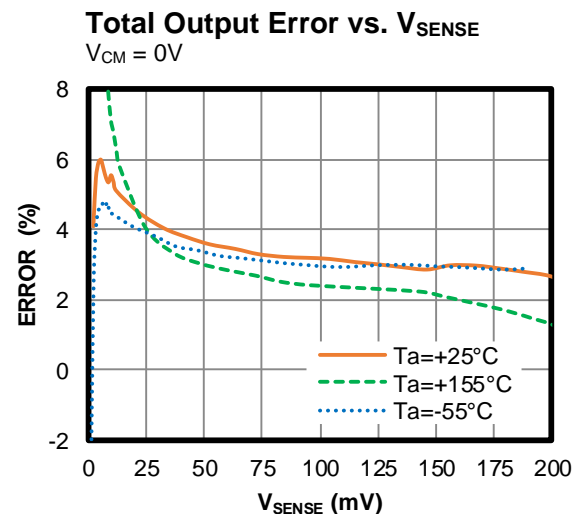
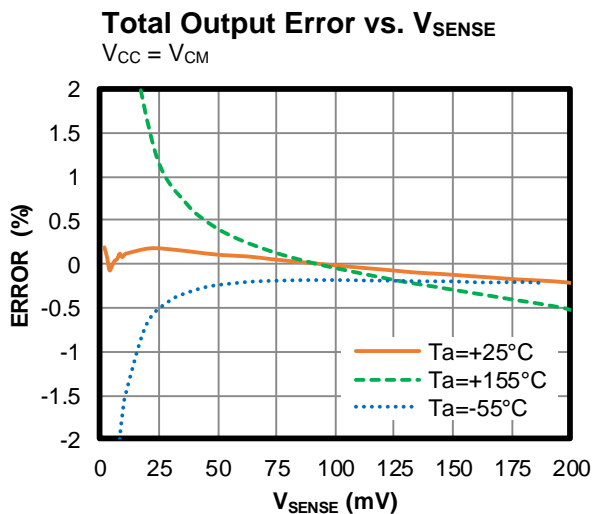
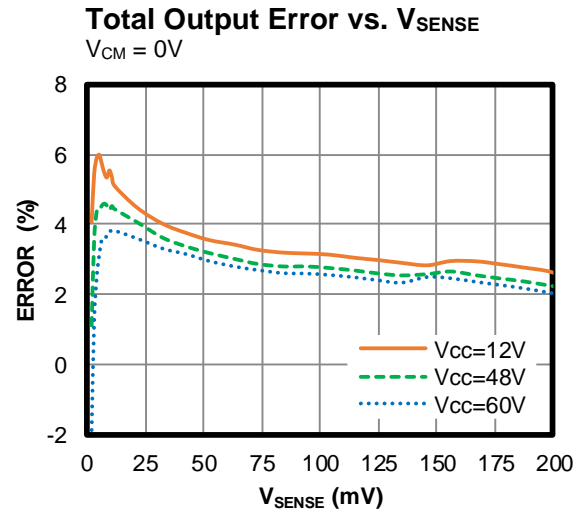
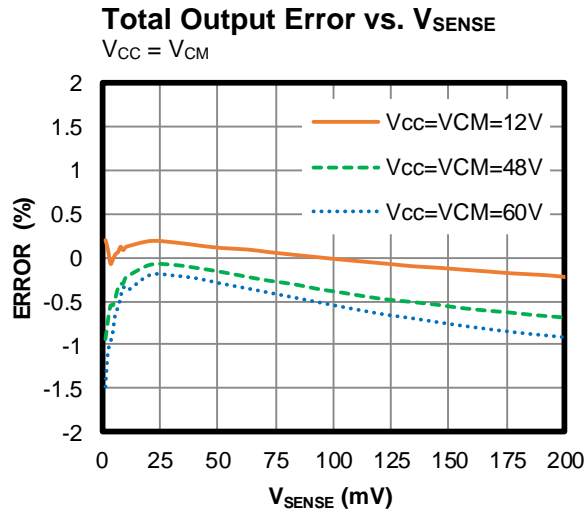


Current-Sense Gain vs. Temperature



TYPICAL PERFORMANCE CHARACTERISTIC (continued)

$V_{CC} = 12V$, $V_{RG1} = 12V$, $V_5 = 5V$, $T_A = 25^\circ C$. $R_{G1} = R_{G2} = 0\Omega$, and R_{OUT} not used for the MPQ8112.
 $R_{G1} = R_{G2} = 1k\Omega$, and $R_{OUT} = 10k\Omega$ for the MPQ8112A. All unless otherwise noted.

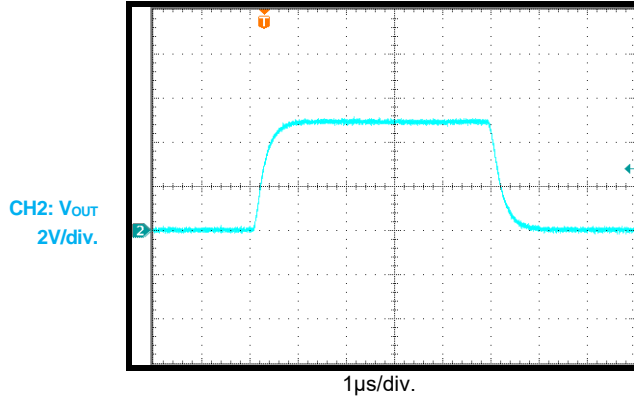


TYPICAL PERFORMANCE CHARACTERISTICS

$V_{CC} = 12V$, $V_{RG1} = 12V$, $V_5 = 5V$, $T_A = 25^\circ C$. $R_{G1} = R_{G2} = 0\Omega$, and R_{OUT} not used for the MPQ8112. $R_{G1} = R_{G2} = 1k\Omega$, and $R_{OUT} = 10k\Omega$ for the MPQ8112A. All unless otherwise noted.

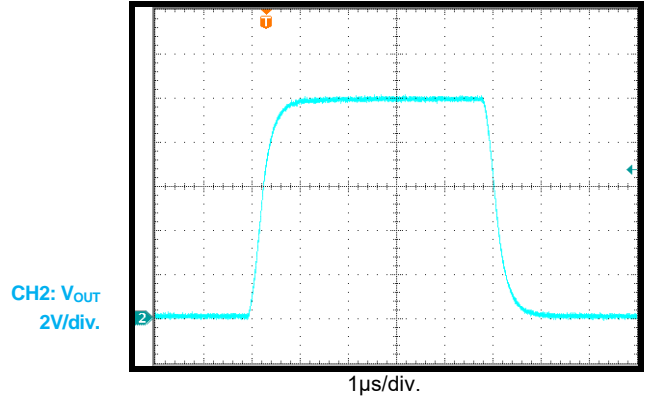
Transient Response

$V_{SENSE} = 0mV$ to $100mV$



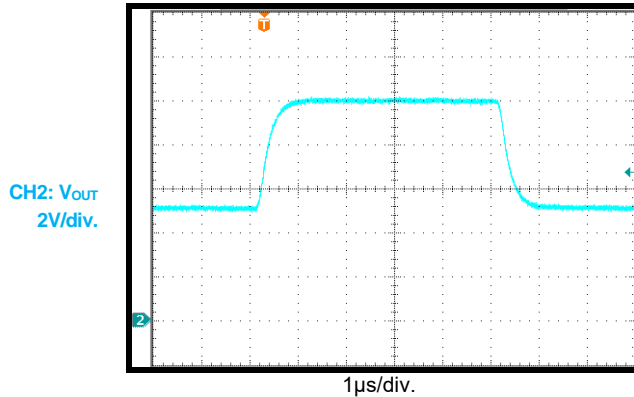
Transient Response

$V_{SENSE} = 0mV$ to $200mV$



Transient Response

$V_{SENSE} = 100mV$ to $200mV$



FUNCTIONAL BLOCK DIAGRAMS

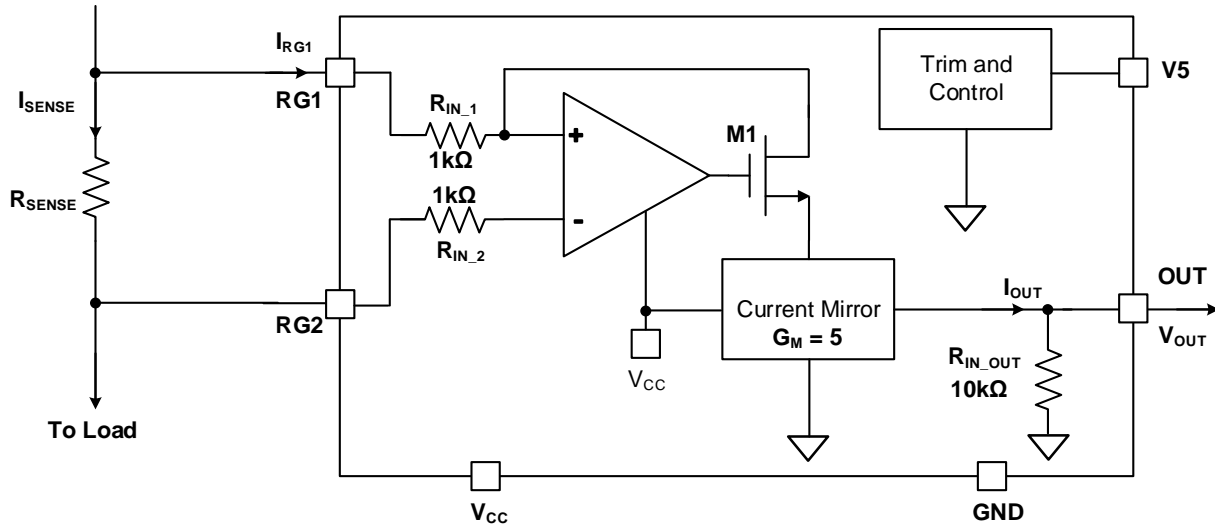


Figure 3: MPQ8112 Functional Block Diagram

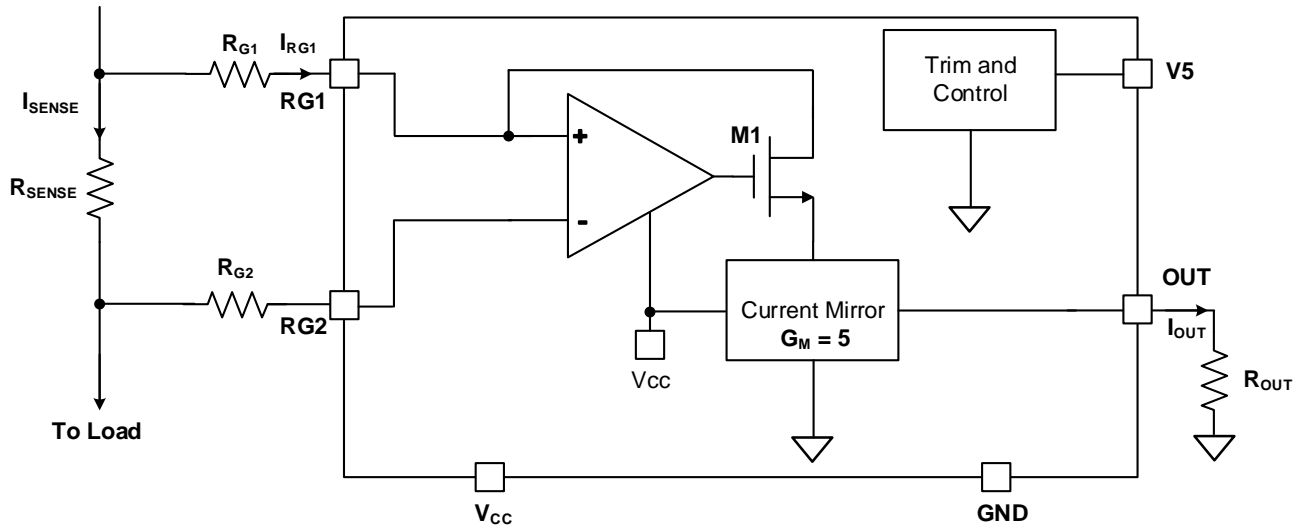


Figure 4: MPQ8112A Functional Block Diagram

OPERATION

The MPQ8112 and MPQ8112A are high-side current-sense amplifiers with a wide 2.7V to 60V operating input voltage (V_{CC}) range. Their common mode input voltage (V_{CM}) is based on V_{CC} , with an operating range of $0 \leq V_{CM} \leq V_{CC} \leq 60V$.

The MPQ8112 directly converts a differential input voltage to a voltage output with built-in internal common input resistors and a load resistor. The MPQ8112 has a 50V/V gain.

The MPQ8112A converts the differential input voltage to a current output. This current is converted back to a voltage with an external load resistor. The MPQ8112A has an adjustable gain based on the external common input resistors and load resistor.

Gain Setting

The sense current (I_{SENSE}) flows through the sense resistor (R_{SENSE}), which generates a sense voltage (V_{SENSE}). The high-precision sense amplifier built into the MPQ8112/MPQ8112A monitors the differential voltage (V_{SENSE}) and dynamically adjusts the gate voltage of the internal N-channel MOSFET (M1) to maintain an equal passing current (I_{RG1}). I_{RG1} is then multiplied by a gain factor (G_M) in the output stage current mirror, and finally flows through R_{OUT} to generate V_{OUT} .

The MPQ8112/MPQ8112A's output (V_{OUT}) can be estimated with Equation (1):

$$V_{OUT} = I_{SENSE} \times R_{SENSE} / R_{G1} \times G_M \times R_{OUT} \quad (1)$$

Where G_M is 5A/A, and R_{G1} and R_{OUT} are external resistors for the MPQ8112A. For the MPQ8112, R_{G1} is instead R_{IN_1} , and R_{OUT} is instead R_{IN_OUT} . These values are 1k Ω and 10k Ω , respectively.

The total gain (A_V) can be calculated with Equation (2):

$$A_V = V_{OUT} / V_{SENSE} = R_{OUT} / R_{G1} \times G_M \quad (2)$$

The MPQ8112A's gain is adjustable by selecting different combinations of R_{OUT} / R_{G1} . The MPQ8112's gain is fixed to 50V/V, and set by the internal resistors (R_{IN_1} and R_{IN_OUT}).

V_{CC} Supply

The V_{CC} supply is the power source for the internal input stage amplifier and output stage current mirror circuitry. Use a bypass capacitor to ensure stability. Apply a 0.1 μ F to 1 μ F low-ESR ceramic capacitor between V_{CC} and GND, as close as possible. If the V_{CC} power source is noisy, additional capacitance may be required.

Common Input Voltage

The MPQ8112/MPQ8112A's common input ranges between 0V and V_{CC} .

The minimum common input voltage is 0V. If the common input voltage is below 1.2V, an internal, dedicated compensation circuit is activated and drives the M1 drain voltage high enough to make the shunt current (I_{RG1}) pass into the current mirror. The compensation circuit can cause the output error to rise when V_{CM} is below 1.2V (for more information, see the Output Error vs. V_{SENSE} curves in the Typical Performance Characteristics section on page 7).

It is recommended to ensure that the common input voltage (V_{RG1}) does not exceed V_{CC} since V_{RG1} is the positive input of the amplifier, which is powered by V_{CC} .

V5 Supply

V5 supplies the internal control block. It also supplies the compensation circuit when the common input voltage (V_{RG1} / V_{RG2}) is low.

V5 can act like a digital control pin that turns the current-sense amplifier on and off. If V5 is pulled below its 1.9V lower threshold voltage, the chip shuts down. If V5 is pulled above its 2V upper threshold voltage, the part turns on.

In addition, if the common input voltage drops below 1.2V, the compensation circuit is activated and drives the M1 drain voltage high enough to make the shunt current (I_{RG1}) pass into the current mirror. The compensation circuit consumes 0.1mA to 1mA of current when it starts to work. Therefore, V5 requires a low-impedance power source and a 10nF to 100nF ceramic bypass capacitor.

APPLICATION INFORMATION

Setting the Output Voltage

The output voltage and gain of the MPQ8112A can be calculated with Equation (1) and Equation (2) on page 10.

The maximum output voltage (V_{OUT_MAX}) is limited by the power supply (V_{CC}) and the maximum output current (I_{OUT_MAX}). Calculate V_{OUT_MAX} with Equation (3) and Equation (4), using the lower value as the threshold:

$$V_{OUT_MAX} = V_{CC} - 0.7V \quad (3)$$

$$V_{OUT_MAX} = R_{OUT} \times I_{OUT_MAX} \quad (4)$$

Where I_{OUT_MAX} is 2mA when $V_5 = 5V$.

I_{OUT_MAX} decreases as V_5 ramps down. When V_5 equals 2.7V, I_{OUT_MAX} is approximately 1mA. It is strongly recommended to connect V_5 to a 5V voltage source to achieve the widest V_{OUT} range.

For the MPQ8112, the V_{OUT_MAX} has an additional limitation, in that the maximum voltage on the built-in output resistor (R_{IN_OUT}) is 20V. Compare to the values obtained by Equation (3) and Equation (4) to 20V, then use the lowest value as the MPQ8112 V_{OUT_MAX} threshold.

Selecting the Sensing Resistor

Given a full-scale sense current, select R_{SENSE} so that V_{SENSE} does not exceed 200mV, which is the maximum voltage for accuracy measurements. To measure lower currents more accurately, use a high R_{SENSE} value. A higher value develops a higher sense voltage, which overcomes offset voltage errors on the internal current amplifier. However, high R_{SENSE} values also introduce high losses. Ultimately, the R_{SENSE} selection is a tradeoff of accuracy and losses. In most applications, choose an R_{SENSE} value that provides a full-scale V_{SENSE} voltage range between 50mV and 200mV.

In applications that monitor very high current, ensure R_{SENSE} is able to dissipate its own I^2R losses. If the resistor's power rating is exceeded, its value may drift or it may fail altogether, causing a differential voltage across the terminals in excess of the absolute maximum range (0.4V).

The MPQ8112 gives a fixed gain of 50V/V; care must be taken so that V_{SENSE} does not exceed 400mV so that V_{OUT} is out of its 20V limitation.

Selecting Common Input Resistors and Output Resistors

The MPQ8112 has built-in common input and output resistors and a fixed 50V/V gain. It does not require external resistors.

Choose the MPQ8112A's R_{G1}/R_{G2} and R_{OUT} to provide V_{OUT} with the appropriate full-scale voltage range. Select R_{G2}/R_{G2} first, and ensure that they are below 4k Ω for a high current-sense accuracy. $R_{G1} = R_{G2} = 1k\Omega$ is recommended. Then R_{OUT} can be calculated with Equation (5):

$$R_{OUT} = V_{OUT} / (I_{SENSE} \times R_{SENSE} / R_{G1} \times G_M) \quad (5)$$

V_{SENSE} Over Maximum Rating Voltage Protection

Figure 5 shows that the MPQ8112/MPQ8112A has built-in back-to-back diodes between R_{G1} and R_{G2} . These diodes have a typical clamping voltage of $\pm 400mV$ and a 100mA sink current capacity. In fault conditions where V_{SENSE} exceeds 400mV or drops below -400mV, the MPQ8112A avoids damage by designing the external resistors (R_{G1} and R_{G2}) to limit the back-to-back diodes' sink current below 100mA.

The MPQ8112 also avoids damage with external resistors (R_{G1} and R_{G2}), but its output gain and accuracy are affected by the different performance between the external and internal resistors.

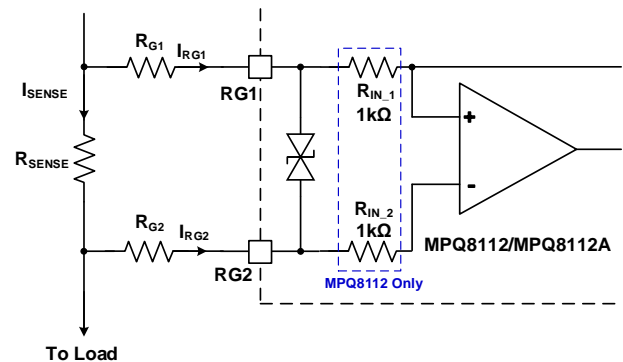


Figure 5: Back-to-Back Diodes

PCB Layout Guidelines ⁽¹⁰⁾

Efficient PCB layout, especially for the sensing resistor and output resistor placement, affects measurement accuracy. For the best results, refer to Figure 6 and follow the guidelines below:

1. To minimize any resistance in series with sensing resistor trace, connect the RG1 and RG2 pins as close as possible to the sensing resistor.
2. Connect the bypass capacitors close to the device pins to decouple the power supply noise.

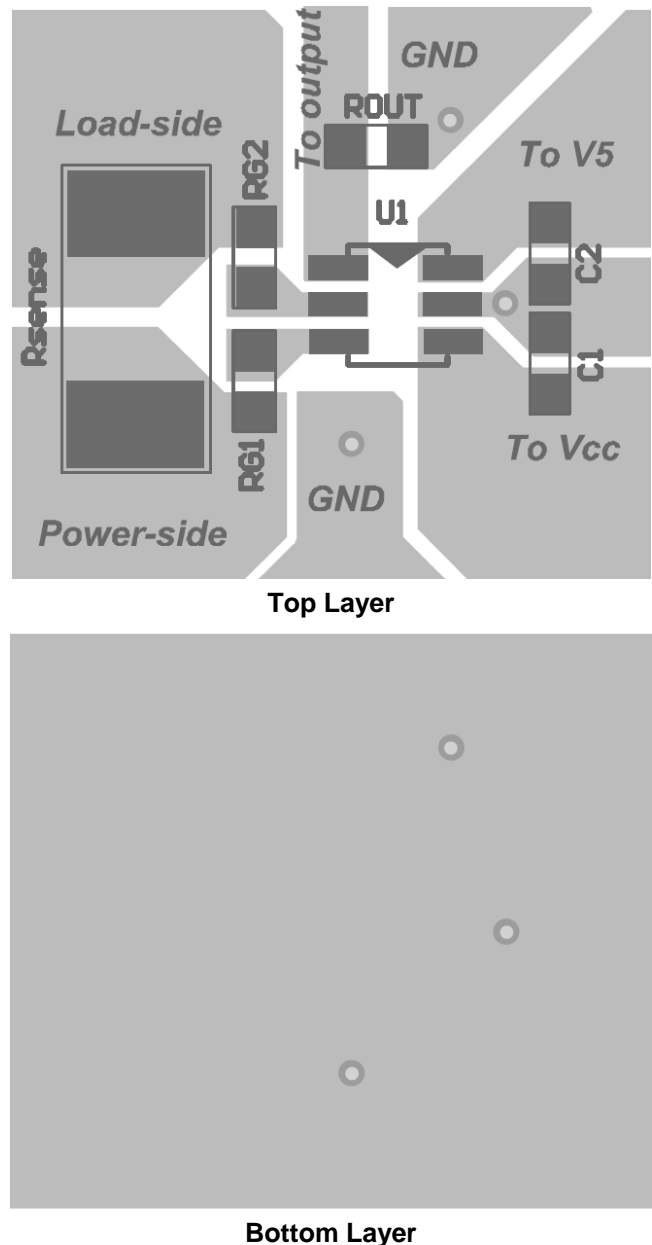
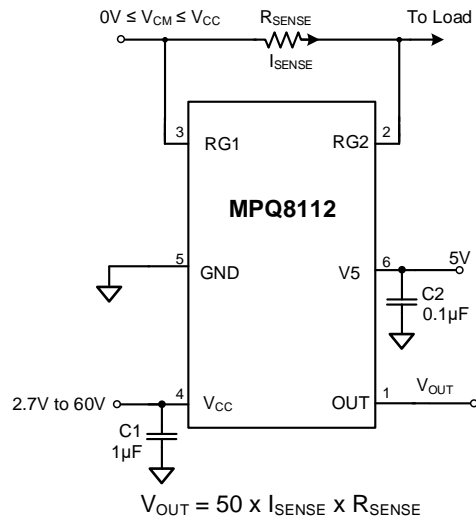
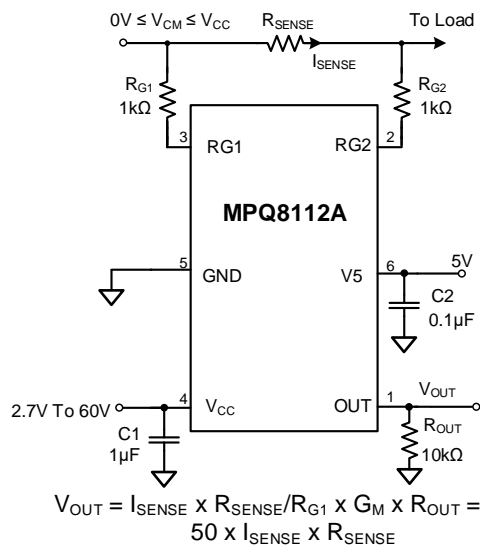


Figure 6: Recommended PCB Layout

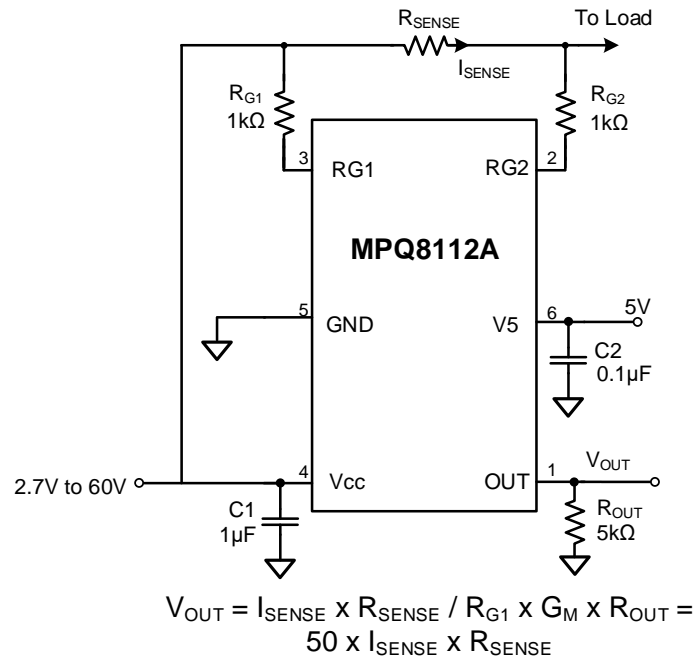
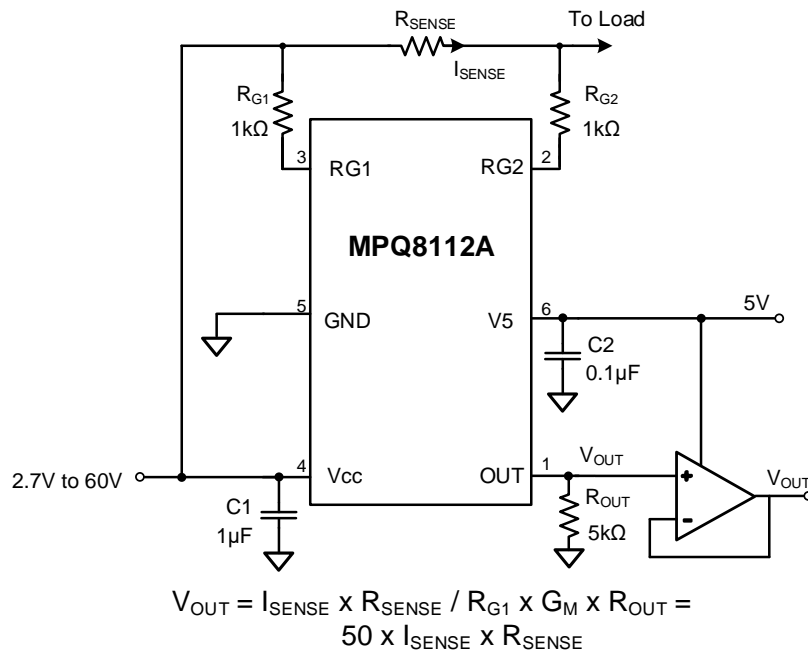
Note:

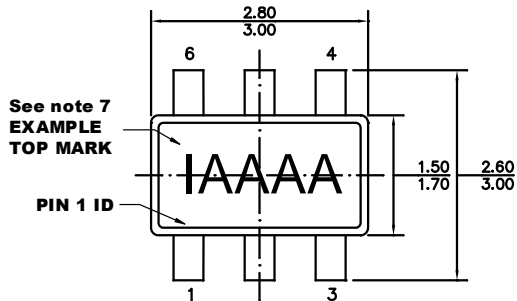
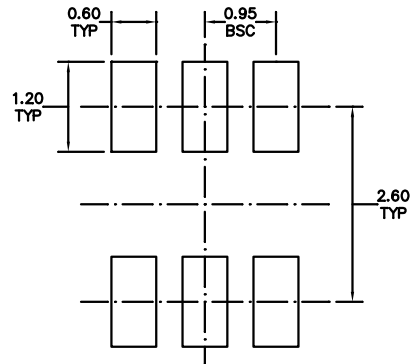
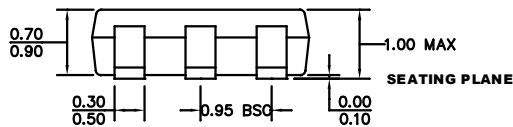
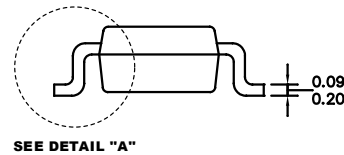
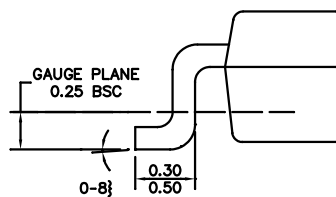
10) The recommended PCB layout is based on Figure 7.

TYPICAL APPLICATION CIRCUITS

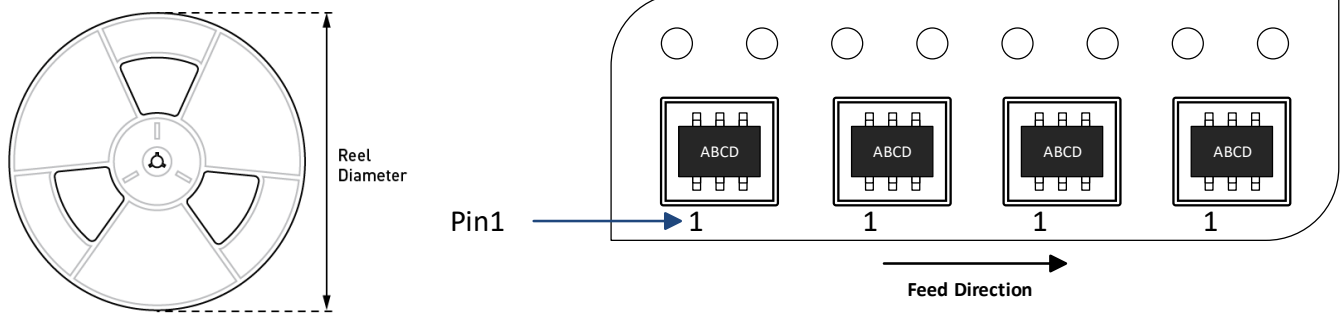

 Figure 7: MPQ8112 ($V_{CM} \leq V_{CC}$)

 Figure 8: MPQ8112A ($A_V = 50V/V$ with $V_{CM} \leq V_{CC}$)

TYPICAL APPLICATION CIRCUITS (continued)


 Figure 9: MPQ8112A ($A_v = 25V/V$ with $V_{CM} = V_{CC}$)

 Figure 10: MPQ8112A ($A_v = 25V/V$ with Buffer to Limit $V_{OUT_MAX} < V5$)

PACKAGE INFORMATION
TSOT23-6L

TOP VIEW

RECOMMENDED LAND PATTERN

FRONT VIEW

SIDE VIEW

DETAIL "A"
NOTE:

- 1) ALL DIMENSIONS ARE IN MILLIMETERS.
- 2) PACKAGE LENGTH DOES NOT INCLUDE MOLD FLASH, PROTRUSION, OR GATE BURR.
- 3) PACKAGE WIDTH DOES NOT INCLUDE INTERLEAD FLASH OR PROTRUSION.
- 4) LEAD COPLANARITY (BOTTOM OF LEADS AFTER FORMING) SHALL BE 0.10 MILLIMETERS MAX.
- 5) DRAWING CONFORMS TO JEDEC MO-193, VARIATION AB.
- 6) DRAWING IS NOT TO SCALE.
- 7) PIN 1 IS THE LOWER-LEFT PIN WHEN READING THE TOP MARK FROM LEFT TO RIGHT (SEE EXAMPLE TOP MARK).

CARRIER INFORMATION


| Part Number | Package Description | Quantity/ Reel | Quantity/ Tube | Quantity/ Tray | Reel Diameter | Carrier Tape Width | Carrier Tape Pitch |
|-------------------|---------------------|----------------|----------------|----------------|---------------|--------------------|--------------------|
| MPQ8112GJ-AEC1-Z | TSOT23-6L | 3000 | N/A | N/A | 7in | 8mm | 4mm |
| MPQ8112AGJ-AEC1-Z | | | | | | | |

Revision History

| Revision # | Revision Date | Description | Pages Updated |
|------------|---------------|-----------------|---------------|
| 1.0 | 7/7/2020 | Initial Release | - |

Notice: The information in this document is subject to change without notice. Users should warrant and guarantee that third-party Intellectual Property rights are not infringed upon when integrating MPS products into any application. MPS will not assume any legal responsibility for any said applications.