

National Semiconductor is now part of
Texas Instruments.

Search <http://www.ti.com/> for the latest technical
information and details on our current products and services.

LMV716

5 MHz, Low Noise, RRO, Dual Operational Amplifier with CMOS Input

General Description

The LMV716 is a dual operational amplifier with both low supply voltage and low supply current, making it ideal for portable applications. The LMV716 CMOS input stage drives the I_{BIAS} current down to 0.6 pA; this coupled with the low noise voltage of $12.8 \text{ nV}/\sqrt{\text{Hz}}$ makes the LMV716 perfect for applications requiring active filters, transimpedance amplifiers, and HDD vibration cancellation circuitry.

Along with great noise sensitivity, small signal applications will benefit from the large gain bandwidth of 5 MHz coupled with the minimal supply current of 1.6 mA and a slew rate of $5.8 \text{ V}/\mu\text{s}$.

The LMV716 provides rail-to-rail output swing into heavy loads. The input common-mode voltage range includes ground, which is ideal for ground sensing applications.

The LMV716 has a supply voltage spanning 2.7V to 5V and is offered in an 8-pin MSOP package that functions across the wide temperature range of -40°C to 85°C . This small package makes it possible to place the LMV716 next to sensors, thus reducing external noise pickup.

Features

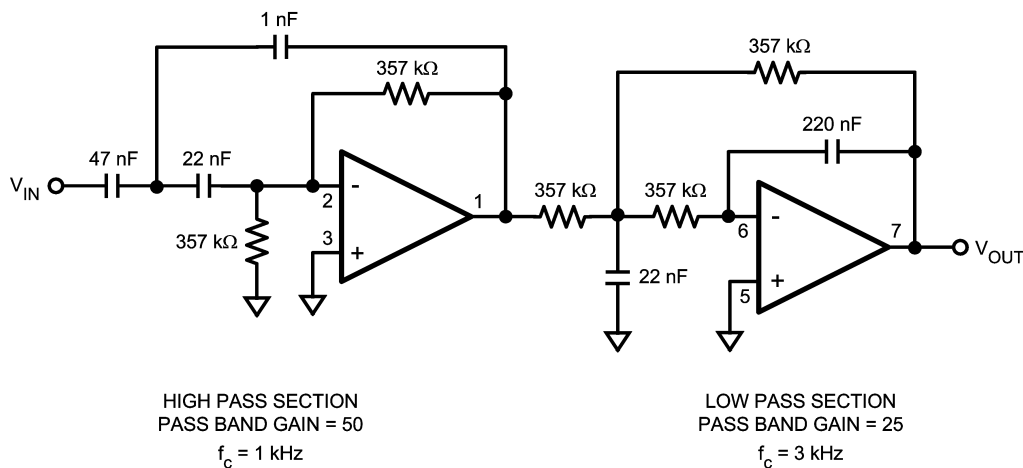
(Typical values, $V^+ = 3.3\text{V}$, $T_A = 25^\circ\text{C}$, unless otherwise specified)

■ Input noise voltage	12.8 nV/√Hz
■ Input bias current	0.6 pA
■ Offset voltage	1.6 mV
■ CMRR	80 dB
■ Open loop gain	122 dB
■ Rail-to-rail output	
■ GBW	5 MHz
■ Slew rate	5.8 V/μs
■ Supply current	1.6 mA
■ Supply voltage range	2.7V to 5V
■ Operating temperature	-40°C to 85°C
■ 8-pin MSOP package	

Applications

- Active filters
- Transimpedance amplifiers
- Audio preamp
- HDD vibration cancellation circuitry

Typical Application Circuit



High Gain Band Pass Filter

20179539

Absolute Maximum Ratings (Note 1)

If Military/Aerospace specified devices are required, please contact the National Semiconductor Sales Office/Distributors for availability and specifications.

ESD Tolerance (Note 2)	
Human Body Model	2000V
Machine Model	200V
Supply Voltage ($V^+ - V^-$)	5.5V
Storage Temperature Range	-65°C to 150°C
Junction Temperature (Note 3)	150°C max

Mounting Temperature

Infrared or Convection (20 sec)

260°C

Operating Ratings (Note 1)

Supply Voltage	2.7V to 5V
Temperature Range	-40°C to 85°C
Thermal Resistance (θ_{JA})	
8-Pin MSOP	195°C/W

3.3V Electrical Characteristics (Note 4)

Unless otherwise specified, all limits are guaranteed for $T_J = 25^\circ\text{C}$, $V^+ = 3.3\text{V}$, $V^- = 0\text{V}$. $V_{CM} = V^+/2$. **Boldface** limits apply at the temperature extremes (Note 5).

Symbol	Parameter	Condition	Min (Note 6)	Typ (Note 7)	Max (Note 6)	Units
V_{OS}	Input Offset Voltage	$V_{CM} = 1\text{V}$		1.6	5 6	mV
I_B	Input Bias Current	(Note 8)		0.6	115 130	pA
I_{OS}	Input Offset Current			1		pA
CMRR	Common Mode Rejection Ratio	$0 \leq V_{CM} \leq 2.1\text{V}$	60 50	80		dB
PSRR	Power Supply Rejection Ratio	$2.7\text{V} \leq V^+ \leq 5\text{V}$, $V_{CM} = 1\text{V}$	70 60	82		dB
CMVR	Common Mode Voltage Range	For CMRR ≥ 50 dB	-0.2		2.2	V
A_{VOL}	Open Loop Voltage Gain	Sourcing $R_L = 10\text{ k}\Omega$ to $V^+/2$, $V_O = 1.65\text{V}$ to 2.9V	80 76	122		dB
		Sinking $R_L = 10\text{ k}\Omega$ to $V^+/2$, $V_O = 0.4\text{V}$ to 1.65V	80 76	122		
		Sourcing $R_L = 600\Omega$ to $V^+/2$, $V_O = 1.65\text{V}$ to 2.8V	80 76	105		
		Sinking $R_L = 600\Omega$ to $V^+/2$, $V_O = 0.5\text{V}$ to 1.65V	80 76	112		
V_O	Output Swing High	$R_L = 10\text{ k}\Omega$ to $V^+/2$	3.22 3.17	3.29		V
		$R_L = 600\Omega$ to $V^+/2$	3.12 3.07	3.22		
	Output Swing Low	$R_L = 10\text{ k}\Omega$ to $V^+/2$		0.03	0.12 0.16	
		$R_L = 600\Omega$ to $V^+/2$		0.07	0.23 0.27	
I_{OUT}	Output Current	Sourcing, $V_O = 0\text{V}$	20 15	31		mA
		Sinking, $V_O = 3.3\text{V}$	30 25	41		
I_S	Supply Current	$V_{CM} = 1\text{V}$		1.6	2.0 3	mA
SR	Slew Rate	(Note 9)		5.8		V/ μs
GBW	Gain Bandwidth			5		MHz

3.3V Electrical Characteristics

(Note 4) Unless otherwise specified, all limits are guaranteed for $T_J = 25^\circ\text{C}$, $V^+ = 3.3\text{V}$, $V^- = 0\text{V}$. $V_{CM} = V^+/2$. **Boldface** limits apply at the temperature extremes (Note 5). (Continued)

Symbol	Parameter	Condition	Min (Note 6)	Typ (Note 7)	Max (Note 6)	Units
e_n	Input-Referred Voltage Noise	$f = 1\text{ kHz}$		12.8		$\text{nV}/\sqrt{\text{Hz}}$
i_n	Input-Referred Current Noise	$f = 1\text{ kHz}$		0.01		$\text{pA}/\sqrt{\text{Hz}}$

Note 1: Absolute Maximum Ratings indicate limits beyond which damage to the device may occur. Operating Ratings indicate conditions for which the device is intended to be functional, but specific performance is not guaranteed. For guaranteed specifications and the test conditions, see the Electrical Characteristics.

Note 2: Human Body Model is 1.5 k Ω in series with 100 pF. Machine Model is 0 Ω in series with 100 pF.

Note 3: The maximum power dissipation is a function of $T_{J(\text{MAX})}$, θ_{JA} and T_A . The maximum allowable power dissipation at any ambient temperature is $P_D = (T_{J(\text{MAX})} - T_A) / \theta_{JA}$. All numbers apply for packages soldered directly into a PC board.

Note 4: Electrical Table values apply only for factory testing conditions at the temperature indicated. Factor testing conditions result in very limited self-heating of the device such that $T_J = T_A$. No guarantee of parametric performance is indicated in the electrical tables under conditions of internal self-heating where $T_J > T_A$. Absolute Maximum Ratings indicate junction temperature limits beyond which the device maybe permanently degraded, either mechanically or electrically.

Note 5: Boldface limits apply to temperature range of -40°C to 85°C .

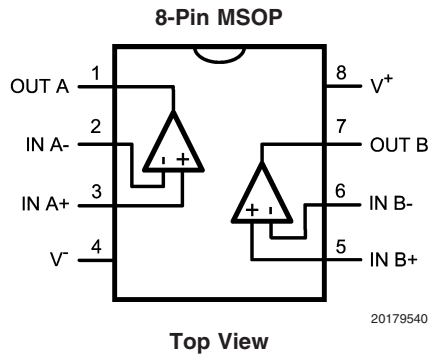
Note 6: All limits are guaranteed by testing or statistical analysis.

Note 7: Typical values represent the most likely parametric norm.

Note 8: Input bias current is guaranteed by design.

Note 9: Number specified is the lower of the positive and negative slew rates.

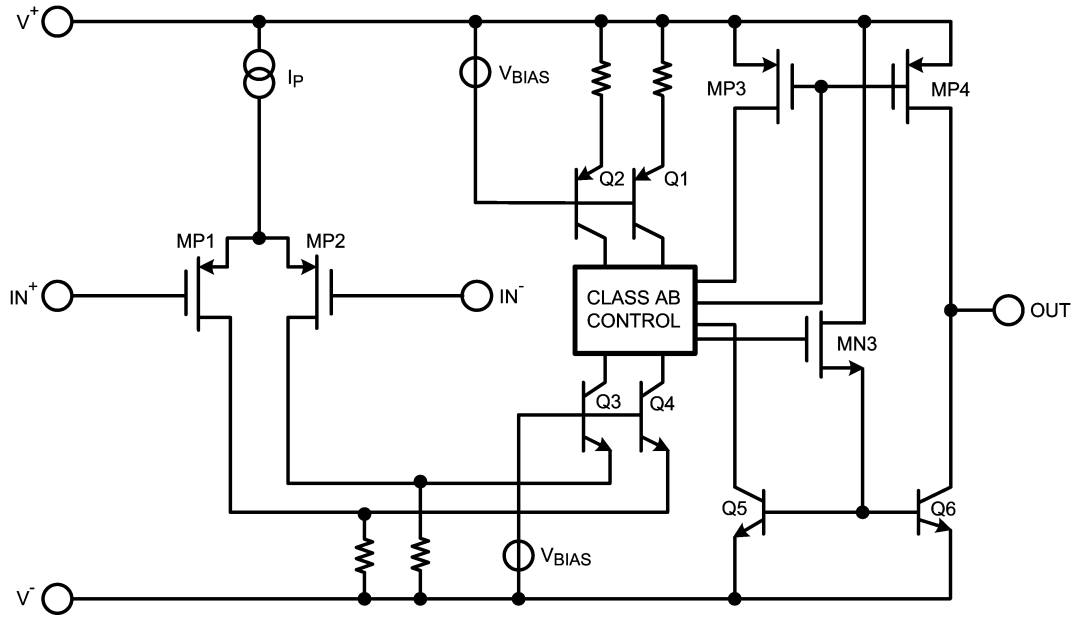
Connection Diagram



Ordering Information

Package	Part Number	Package Marking	Transport Media	NSC Drawing
8-Pin MSOP	LMV716MM	AR3A	1k Units Tape and Reel	MUA08A
	LMV716MMX		3.5k Units Tape and Reel	

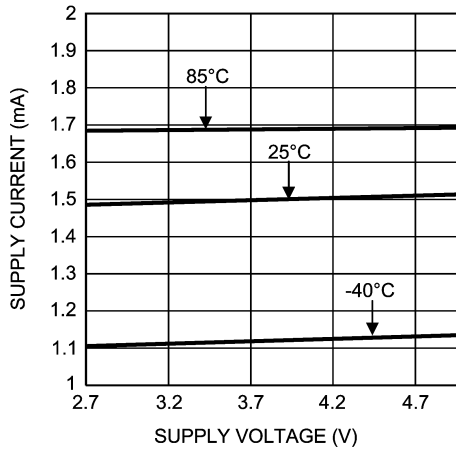
Simplified Schematic



20179529

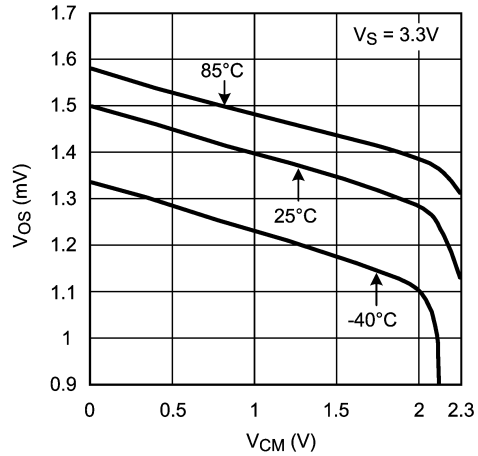
Typical Performance Characteristics Unless otherwise specified, $V^+ = 3.3V$, $T_J = 25^\circ C$.

Supply Current vs. Supply Voltage



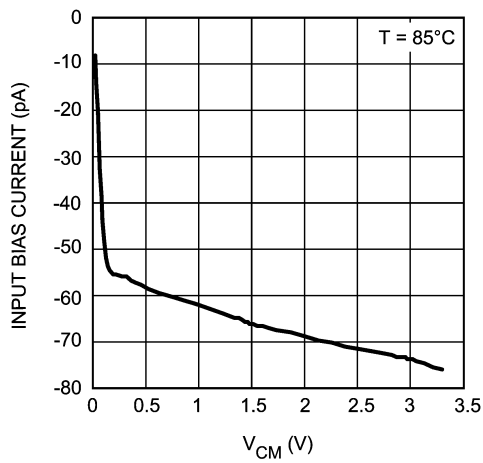
20179506

Offset Voltage vs. Common Mode



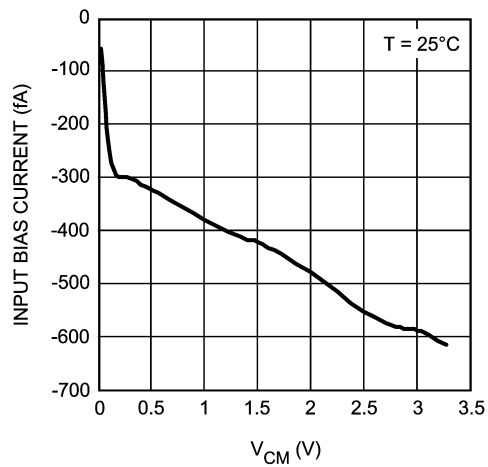
20179505

Input Bias Current vs. Common Mode



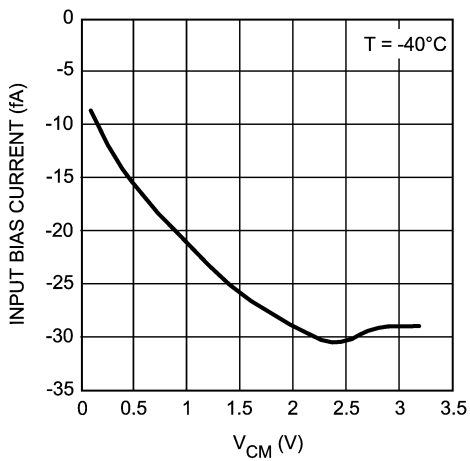
20179527

Input Bias Current vs. Common Mode



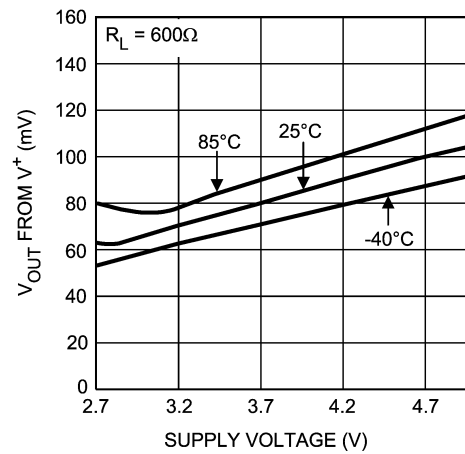
20179526

Input Bias Current vs. Common Mode



20179525

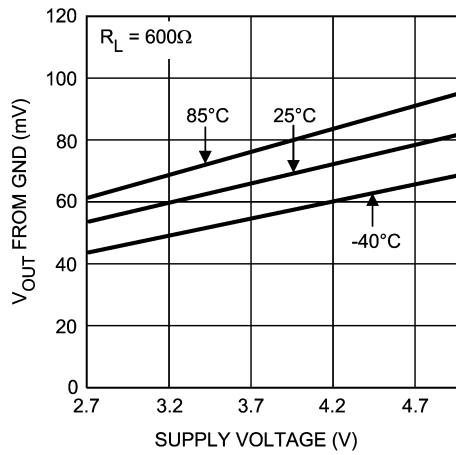
Output Positive Swing vs. Supply Voltage



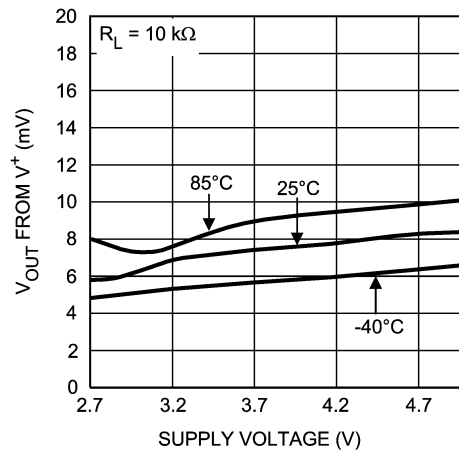
20179585

Typical Performance Characteristics Unless otherwise specified, $V^+ = 3.3V$, $T_J = 25^\circ C$. (Continued)

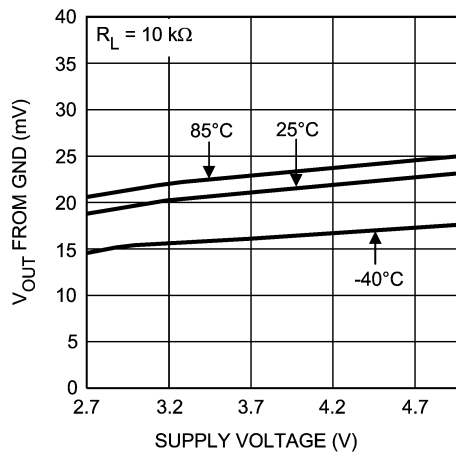
Output Negative Swing vs. Supply Voltage



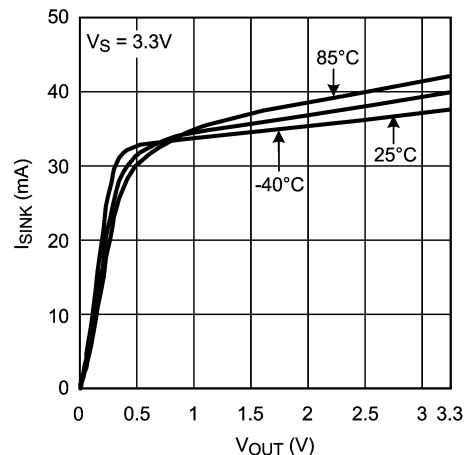
Output Positive Swing vs. Supply Voltage



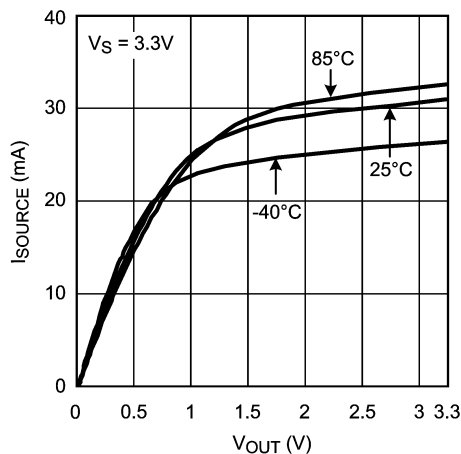
Output Negative Swing vs. Supply Voltage



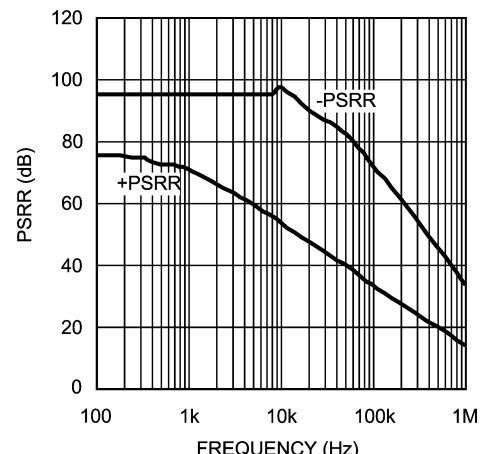
Sinking Current vs. V_{OUT}



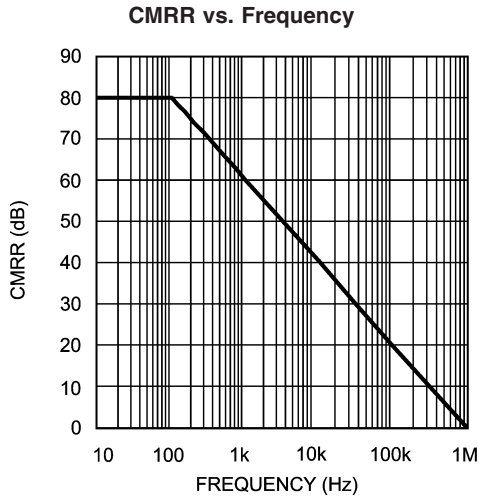
Sourcing Current vs. V_{OUT}



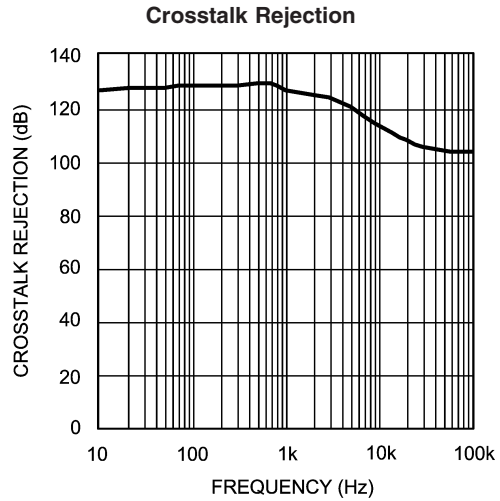
PSRR vs. Frequency



Typical Performance Characteristics Unless otherwise specified, $V^+ = 3.3V$, $T_J = 25^\circ C$. (Continued)

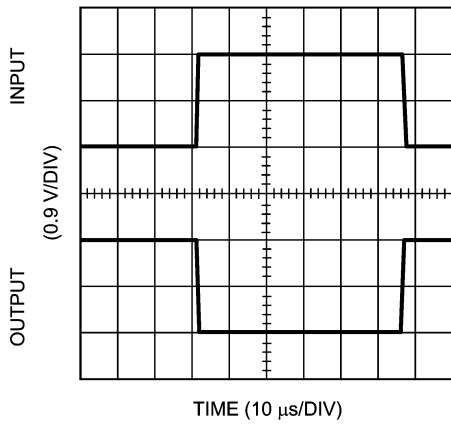


20179536



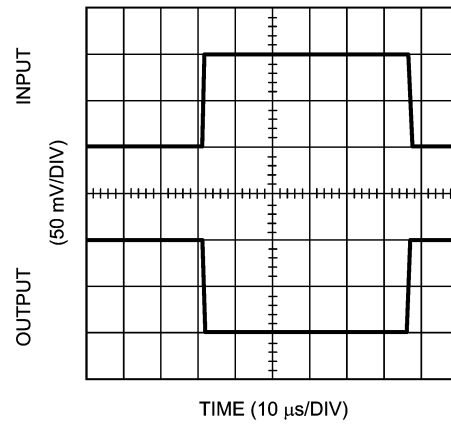
20179537

Inverting Large Signal Pulse Response



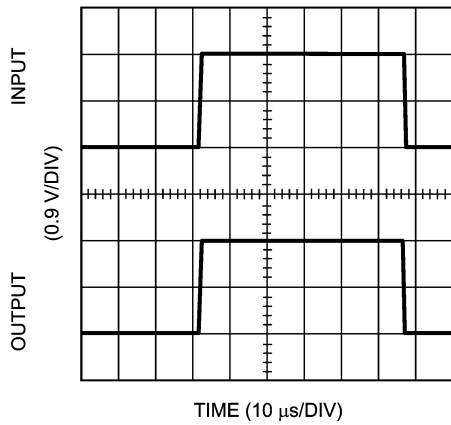
20179535

Inverting Small Signal Pulse Response



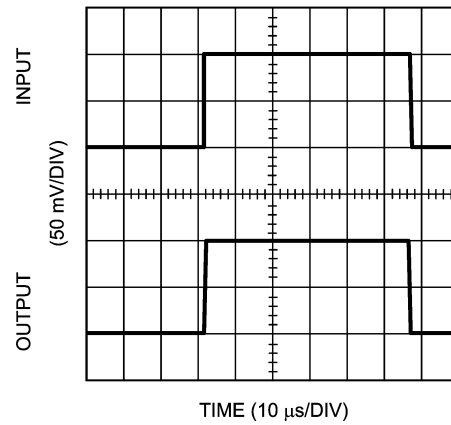
20179533

Non-Inverting Large Signal Pulse Response



20179534

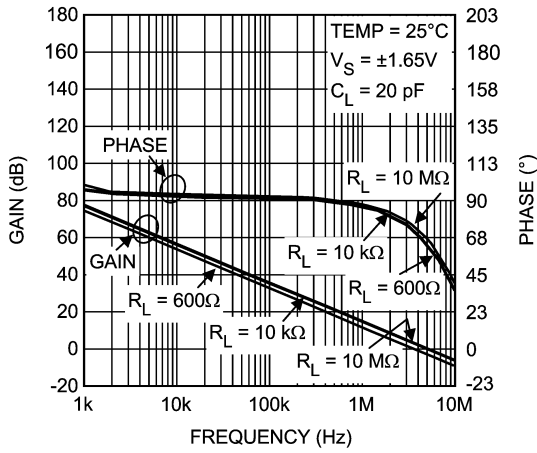
Non-Inverting Small Signal Pulse Response



20179532

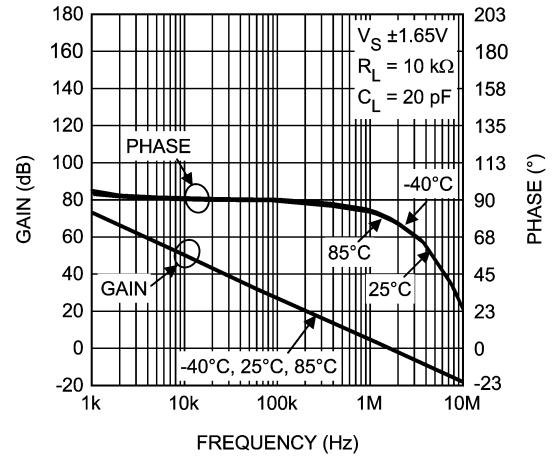
Typical Performance Characteristics Unless otherwise specified, $V^+ = 3.3V$, $T_J = 25^\circ C$. (Continued)

Open Loop Frequency vs. R_L



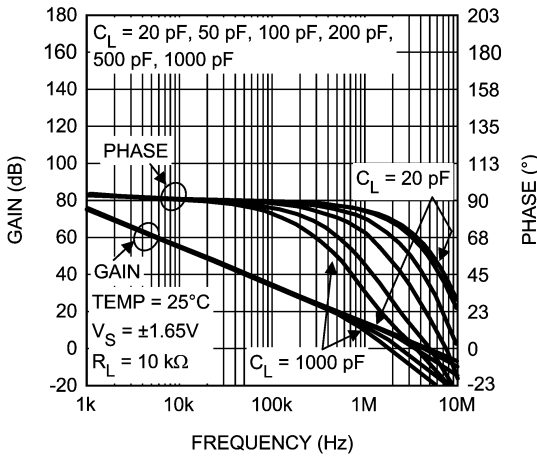
20179521

Open Loop Frequency Response over Temperature



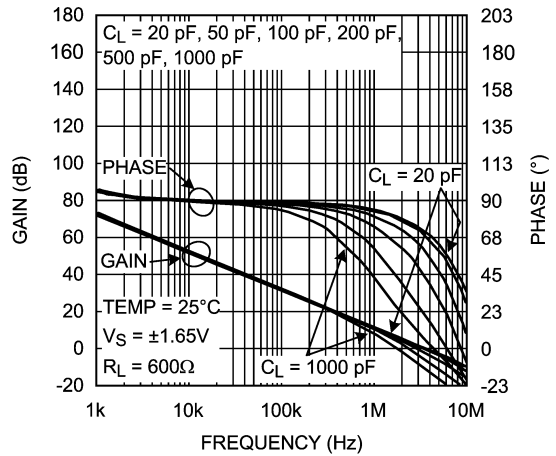
20179522

Open Loop Frequency Response vs. C_L



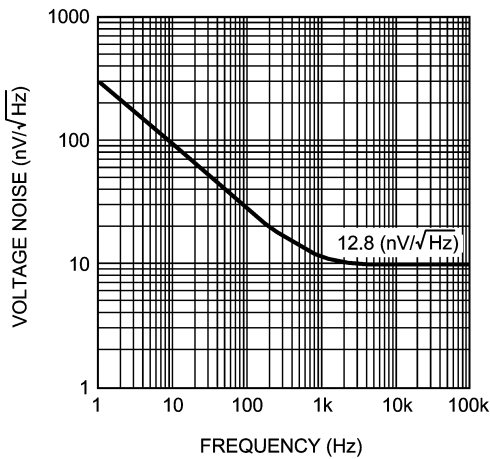
20179523

Open Loop Frequency Response vs. C_L



20179528

Voltage Noise vs. Frequency



20179524

Application Information

With the low supply current of only 1.6 mA, the LMV716 offers users the ability to maximize battery life. This makes the LMV716 ideal for battery powered systems. The LMV716's rail-to-rail output swing provides the maximum possible dynamic range at the output. This is particularly important when operating on low supply voltages.

CAPACITIVE LOAD TOLERANCE

The LMV716, when in a unity-gain configuration, can directly drive large capacitive loads in unity-gain without oscillation. The unity-gain follower is the most sensitive configuration to capacitive loading; direct capacitive loading reduces the phase margin of amplifiers. The combination of the amplifier's output impedance and the capacitive load induces phase lag. This results in either an underdamped pulse response or oscillation. To drive a heavier capacitive load, the circuit in *Figure 1* can be used.

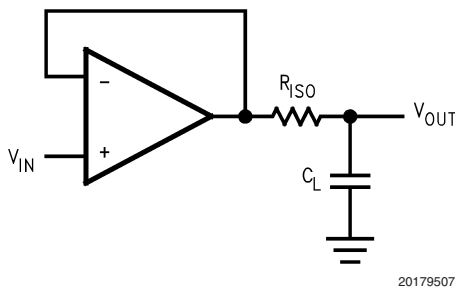


FIGURE 1. Indirectly Driving a Capacitive Load using Resistive Isolation

In *Figure 1*, the isolation resistor R_{ISO} and the load capacitor C_L form a pole to increase stability by adding more phase margin to the overall system. The desired performance depends on the value of R_{ISO} . The bigger the R_{ISO} resistor value, the more stable V_{OUT} will be.

The circuit in *Figure 2* is an improvement to the one in *Figure 1* because it provides DC accuracy as well as AC stability. If there were a load resistor in *Figure 1*, the output would be voltage divided by R_{ISO} and the load resistor. Instead, in *Figure 2*, R_F provides the DC accuracy by using feed-forward techniques to connect V_{IN} to R_L . Due to the input bias current of the LMV716, the designer must be cautious when choosing the value of R_F . C_F and R_{ISO} serve to counteract the loss of phase margin by feeding the high frequency component of the output signal back to the amplifier's inverting input, thereby preserving phase margin in the overall feedback loop. Increased capacitive drive is possible by increasing the value of C_F . This in turn will slow down the pulse response.

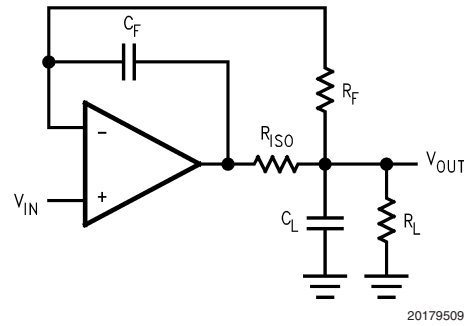
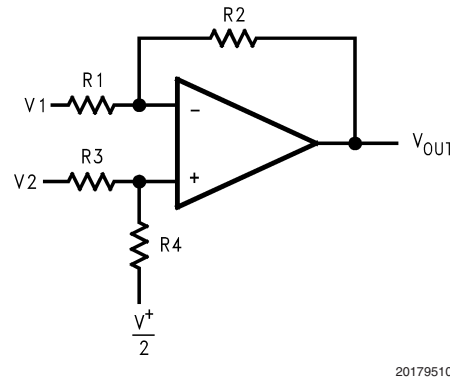


FIGURE 2. Indirectly Driving a Capacitive Load with DC Accuracy

DIFFERENCE AMPLIFIER

The difference amplifier allows the subtraction of two voltages or, as a special case, the cancellation of a signal common to two inputs. It is useful as a computational amplifier in making a differential to single-ended conversion or in rejecting a common mode signal.



$$V_{OUT} = \left(\frac{R1 + R2}{R3 + R4} \right) \frac{R4}{R1} V_2 - \frac{R2}{R1} V_1 + \left(\frac{R1 + R2}{R3 + R4} \right) \frac{R3}{R1} \cdot \frac{V^+}{2}$$

for $R1 = R3$ and $R2 = R4$

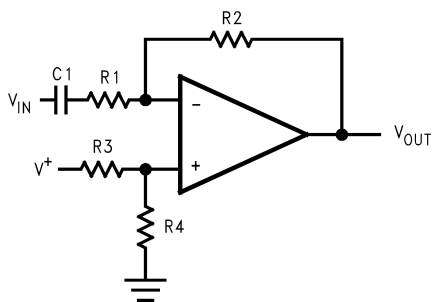
$$V_{OUT} = \frac{R2}{R1} (V_2 - V_1) + \frac{V^+}{2}$$

FIGURE 3. Difference Amplifier

Application Information (Continued)

SINGLE-SUPPLY INVERTING AMPLIFIER

There may be cases where the input signal going into the amplifier is negative. Because the amplifier is operating in single supply voltage, a voltage divider using R_3 and R_4 is implemented to bias the amplifier so the inverting input signal is within the input common voltage range of the amplifier. The capacitor C_1 is placed between the inverting input and resistor R_1 to block the DC signal going into the AC signal source, V_{IN} . The values of R_1 and C_1 affect the cutoff frequency, $f_c = 1/2\pi R_1 C_1$. As a result, the output signal is centered around mid-supply (if the voltage divider provides $V^+/2$ at the non-inverting input). The output can swing to both rails, maximizing the signal-to-noise ratio in a low voltage system.



20179515

$$V_{OUT} = -\frac{R_2}{R_1} V_{IN}$$

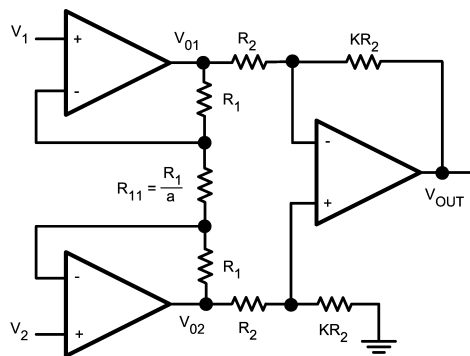
FIGURE 4. Single-supply Inverting Amplifier

INSTRUMENTATION AMPLIFIER

Measurement of very small signals with an amplifier requires close attention to the input impedance of the amplifier, the overall signal gain from both inputs to the output, as well as, the gain from each input to the output. This is because we are only interested in the difference of the two inputs and the common signal is considered noise. A classic solution is an instrumentation amplifier. Instrumentation amplifiers have a finite, accurate, and stable gain. Also they have extremely high input impedances and very low output impedances. Finally they have an extremely high CMRR so that the amplifier can only respond to the differential signal.

Three-Op-Amp Instrumentation Amplifier

A typical instrumentation amplifier is shown in Figure 5.



20179542

FIGURE 5. Three-Op-Amp Instrumentation Amplifier

There are two stages in this configuration. The last stage, the output stage, is a differential amplifier. In an ideal case the two amplifiers of the first stage, the input stage, would be set up as buffers to isolate the inputs. However they cannot be connected as followers due to the mismatch of real amplifiers. The circuit in Figure 5 utilizes a balancing resistor between the two amplifiers to compensate for this mismatch. The product of the two stages of gain will be the gain of the instrumentation amplifier circuit. Ideally, the CMRR should be infinite. However the output stage has a small non-zero common mode gain which results from resistor mismatch.

In the input stage of the circuit, current is the same across all resistors. This is due to the high input impedance and low input bias current of the LMV716. With the node equations we have:

$$\text{GIVEN: } I_{R_1} = I_{R_{11}} \quad (1)$$

By Ohm's Law:

$$\begin{aligned} V_{O1} - V_{O2} &= (2R_1 + R_{11}) I_{R_{11}} \\ &= (2a + 1) R_{11} \cdot I_{R_{11}} \\ &= (2a + 1) V_{R_{11}} \end{aligned} \quad (2)$$

However:

$$V_{R_{11}} = V_1 - V_2 \quad (3)$$

So we have:

$$V_{O1} - V_{O2} = (2a + 1) (V_1 - V_2) \quad (4)$$

Application Information (Continued)

Now looking at the output of the instrumentation amplifier:

$$\begin{aligned} V_O &= \frac{KR_2}{R_2} (V_{O2} - V_{O1}) \\ &= -K(V_{O1} - V_{O2}) \end{aligned} \quad (5)$$

Substituting from Equation (4):

$$V_O = -K(2a + 1)(V_1 - V_2) \quad (6)$$

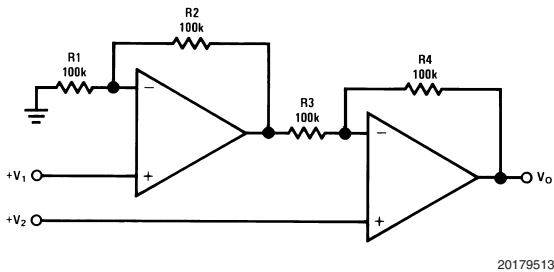
This shows the gain of the instrumentation amplifier to be: $-K(2a+1)$

Typical values for this circuit can be obtained by setting: $a = 12$ and $K = 4$. This results in an overall gain of -100 .

Three LMV716 amplifiers are used along with 1% resistors to minimize resistor mismatch. Resistors used to build the circuit are: $R_1 = 21.6 \text{ k}\Omega$, $R_{11} = 1.8 \text{ k}\Omega$, $R_2 = 2.5 \text{ k}\Omega$ with $K = 40$ and $a = 12$. This results in an overall gain of $-K(2a+1) = -1000$.

Two-Op-Amp Instrumentation Amplifier

A two-op-amp instrumentation amplifier can also be used to make a high-input impedance DC differential amplifier *Figure 6*. As in the three op amp circuit, this instrumentation amplifier requires precise resistor matching for good CMRR. R_4 should be equal to R_1 , and R_3 should equal R_2 .



20179513

$$V_O = \left(1 + \frac{R_4}{R_3}\right)(V_2 - V_1), \text{ where } R_1 = R_4 \text{ and } R_2 = R_3$$

$$\text{As shown: } V_O = 2(V_2 - V_1)$$

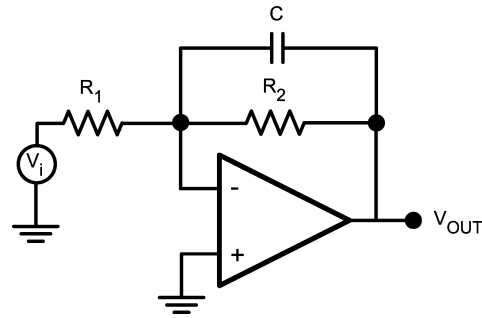
FIGURE 6. Two-Op-Amp Instrumentation Amplifier

ACTIVE FILTERS

Active filters are circuits with amplifiers, resistors, and capacitors. The use of amplifiers instead of inductors, which are used in passive filters, enhances the circuit performance while reducing the size and complexity of the filter. The simplest active filters are designed using an inverting op amp configuration where at least one reactive element has been added to the configuration. This means that the op amp will provide "frequency-dependent" amplification, since reactive elements are frequency dependent devices.

Low Pass Filter

The following shows a very simple low pass filter.



20179553

FIGURE 7. Low Pass Filter

The transfer function can be expressed as follows:

By KCL:

$$\frac{-V_i}{R_1} - \left[\frac{1}{j\omega C}\right] \frac{V_O}{R_2} = 0 \quad (7)$$

Simplifying this further results in:

$$V_O = \frac{-R_2}{R_1} \left[\frac{1}{j\omega C R_2 + 1} \right] V_i \quad (8)$$

or

$$\frac{V_O}{V_i} = \frac{-R_2}{R_1} \left[\frac{1}{j\omega C R_2 + 1} \right] \quad (9)$$

Now, substituting $\omega = 2\pi f$, so that the calculations are in $f(\text{Hz})$ rather than in $\omega(\text{rad/s})$, and setting the DC gain $\left[\frac{-R_2}{R_1} = H_O \right]$ and $H = \frac{V_O}{V_i}$

$$H = H_O \left[\frac{1}{j2\pi f C R_2 + 1} \right] \quad (10)$$

$$\text{set: } f_O = \frac{1}{2\pi R_1 C}$$

$$H = H_O \left[\frac{1}{1 + j(f/f_O)} \right] \quad (11)$$

Low pass filters are known as lossy integrators because they only behave as integrators at higher frequencies. The general form of the bode plot can be predicted just by looking at the transfer function. When the f/f_O ratio is small, the capacitor is, in effect, an open circuit and the amplifier behaves at a set DC gain. Starting at f_O , which is the -3 dB corner, the capacitor will have the dominant impedance and hence the circuit will behave as an integrator and the signal will be attenuated and eventually cut. The bode plot for this filter is shown in *Figure 8*.

Application Information (Continued)

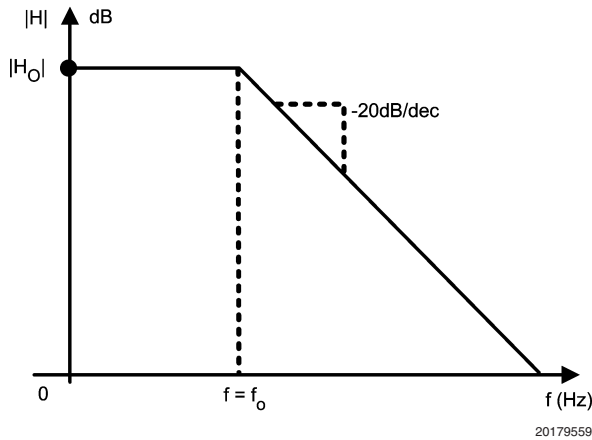


FIGURE 8. Low Pass Filter Transfer Function

High Pass Filter

The transfer function of a high pass filter can be derived in much the same way as the previous example. A typical first order high pass filter is shown below:

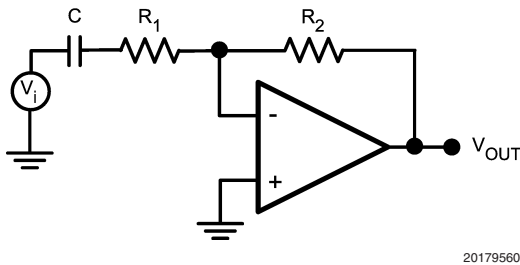


FIGURE 9. High Pass Filter

Writing the KCL for this circuit :
(V_1 denotes the voltage between C and R_1)

$$\frac{V_1 - V_i}{\frac{1}{j\omega C}} = \frac{V_1 - V^-}{R_1} \tag{12}$$

$$\frac{V^- + V_1}{R_1} = \frac{V^- + V_O}{R_2} \tag{13}$$

Solving these two equations to find the transfer function and using:

$$f_0 = \frac{1}{2\pi R_1 C}$$

(high frequency gain) $H_0 = \frac{-R_2}{R_1}$ and $H = \frac{V_O}{V_i}$
Which gives:

$$H = H_0 \frac{j(f/f_0)}{1 + j(f/f_0)} \tag{14}$$

Looking at the transfer function, it is clear that when f/f_0 is small, the capacitor is open and therefore, no signal is getting to the amplifier. As the frequency increases the amplifier starts operating. At $f = f_0$ the capacitor behaves like a short circuit and the amplifier will have a constant, high frequency gain of H_0 . *Figure 10* shows the transfer function of this high pass filter.

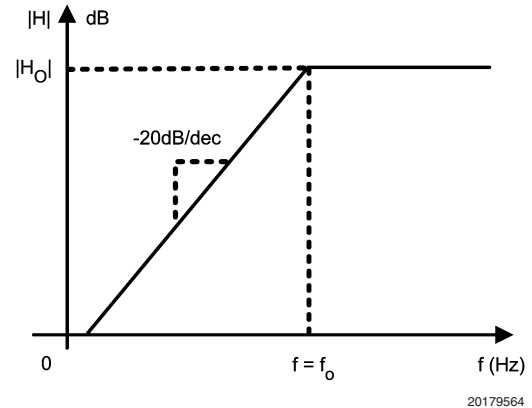


FIGURE 10. High Pass Filter Transfer Function

Band Pass Filter

Combining a low pass filter and a high pass filter will generate a band pass filter. *Figure 11* offers an example of this type of circuit.

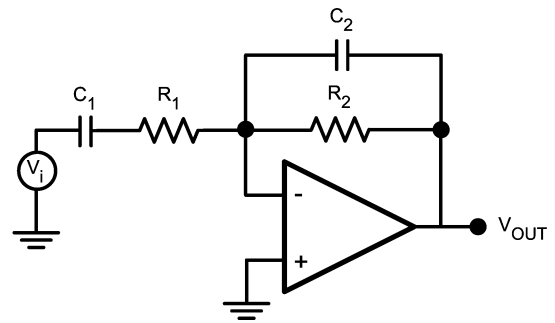


FIGURE 11. Band Pass Filter

In this network the input impedance forms the high pass filter while the feedback impedance forms the low pass filter. If the designer chooses the corner frequencies so that $f_1 < f_2$, then all the frequencies between, $f_1 \leq f \leq f_2$, will pass through the filter while frequencies below f_1 and above f_2 will be cut off. The transfer function can be easily calculated using the same methodology as before and is shown in *Figure 12*.

$$H = H_0 \frac{j(f/f_1)}{[1 + j(f/f_1)][1 + j(f/f_2)]} \tag{15}$$

Application Information (Continued)

Where

$$f_1 = \frac{1}{2\pi R_1 C_1}$$

$$f_2 = \frac{1}{2\pi R_2 C_2}$$

$$H_0 = \frac{-R_2}{R_1} \tag{16}$$

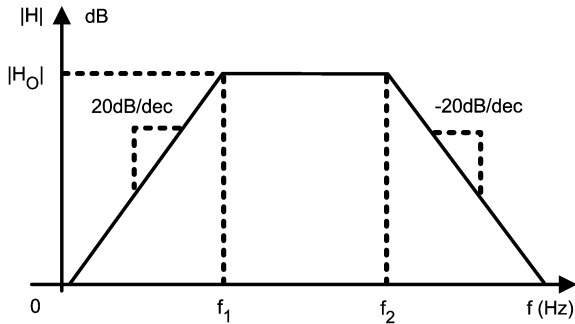


FIGURE 12. Band Pass Filter Transfer Function

STATE VARIABLE ACTIVE FILTER

State variable active filters are circuits that can simultaneously represent high pass, band pass, and low pass filters. The state variable active filter uses three separate amplifiers to achieve this task. A typical state variable active filter is shown in Figure 13. The first amplifier in the circuit is connected as a gain stage. The second and third amplifiers are connected as integrators, which means they behave as low pass filters. The feedback path from the output of the third amplifier to the first amplifier enables this low frequency signal to be fed back with a finite and fairly low closed loop gain. This is while the high frequency signal on the input is still gained up by the open loop gain of the first amplifier. This makes the first amplifier a high pass filter. The high pass signal is then fed into a low pass filter. The outcome is a band pass signal, meaning the second amplifier is a band pass filter. This signal is then fed into the third amplifiers input and so, the third amplifier behaves as a simple low pass filter.

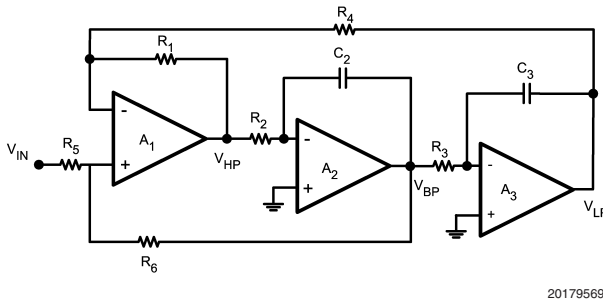
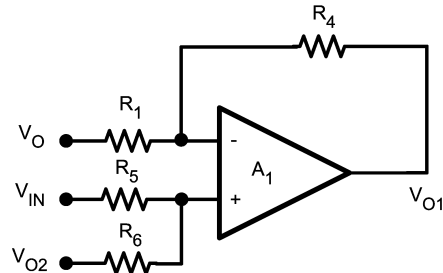


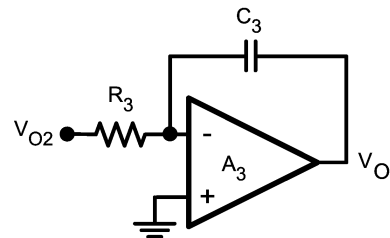
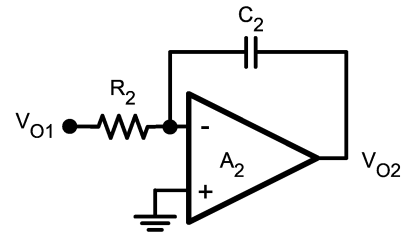
FIGURE 13. State Variable Active Filter

The transfer function of each filter needs to be calculated. The derivations will be more trivial if each stage of the filter is shown on its own.

The three components are:



20179570



20179571

For A₁ the relationship between input and output is:

$$V_{O1} = \frac{-R_4}{R_1} V_0 + \left[\frac{R_6}{R_5 + R_6} \right] \left[\frac{R_1 + R_4}{R_1} \right] V_{IN} + \left[\frac{R_5}{R_5 + R_6} \right] \left[\frac{R_1 + R_4}{R_1} \right] V_{O2} \tag{17}$$

This relationship depends on the output of all the filters. The input-output relationship for A₂ can be expressed as:

$$V_{O2} = \frac{-1}{s C_2 R_2} V_{O1} \tag{18}$$

And finally this relationship for A₃ is as follows:

$$V_0 = \frac{-1}{s C_3 R_3} V_{O2} \tag{19}$$

Re-arranging these equations, one can find the relationship between V₀ and V_{IN} (transfer function of the low pass filter), V_{O1} and V_{IN} (transfer function of the high pass filter), and V_{O2} and V_{IN} (transfer function of the band pass filter) These relationships are as follows:

Application Information (Continued)

Low Pass Filter

$$\frac{V_O}{V_{IN}} = \frac{\left[\frac{R_1 + R_4}{R_1} \right] \left[\frac{R_6}{R_5 + R_6} \right] \left[\frac{1}{C_2 C_3 R_2 R_3} \right]}{s^2 + s \left[\frac{1}{C_2 R_2} \right] \left[\frac{R_5}{R_5 + R_6} \right] \left[\frac{R_1 + R_4}{R_1} \right] + \left[\frac{1}{C_2 C_3 R_2 R_3} \right]} \quad (20)$$

High Pass Filter

$$\frac{V_{O1}}{V_{IN}} = \frac{s^2 \left[\frac{R_1 + R_4}{R_1} \right] \left[\frac{R_6}{R_5 + R_6} \right]}{s^2 + s \left[\frac{1}{C_2 R_2} \right] \left[\frac{R_5}{R_5 + R_6} \right] \left[\frac{R_1 + R_4}{R_1} \right] + \left[\frac{1}{C_2 C_3 R_2 R_3} \right]} \quad (21)$$

Band Pass Filter

$$\frac{V_{O2}}{V_{IN}} = \frac{s \left[\frac{1}{C_2 R_2} \right] \left[\frac{R_1 + R_4}{R_1} \right] \left[\frac{R_6}{R_5 + R_6} \right]}{s^2 + s \left[\frac{1}{C_2 R_2} \right] \left[\frac{R_5}{R_5 + R_6} \right] \left[\frac{R_1 + R_4}{R_1} \right] + \left[\frac{1}{C_2 C_3 R_2 R_3} \right]} \quad (22)$$

The center frequency and Quality Factor for all of these filters is the same. The values can be calculated in the following manner:

$$\omega_c = \sqrt{\frac{1}{C_2 C_3 R_2 R_3}}$$

and

$$Q = \sqrt{\frac{C_2 R_2}{C_3 R_3} \left[\frac{R_5 + R_6}{R_6} \right] \left[\frac{R_1}{R_1 + R_4} \right]} \quad (23)$$

Designing a band pass filter with a center frequency of 10 kHz and Quality Factor of 5.5

To do this, first consider the Quality Factor. It is best to pick convenient values for the capacitors. $C_2 = C_3 = 1000$ pF. Also, choose $R_1 = R_4 = 30$ k Ω . Now values of R_5 and R_6 need to be calculated. With the chosen values for the capacitors and resistors, Q reduces to:

$$Q = \frac{11}{2} = \frac{1}{2} \left[\frac{R_5 + R_6}{R_6} \right] \quad (24)$$

or

$$\begin{aligned} R_5 &= 10R_6 \\ R_6 &= 1.5 \text{ k}\Omega \\ R_5 &= 15 \text{ k}\Omega \end{aligned} \quad (25)$$

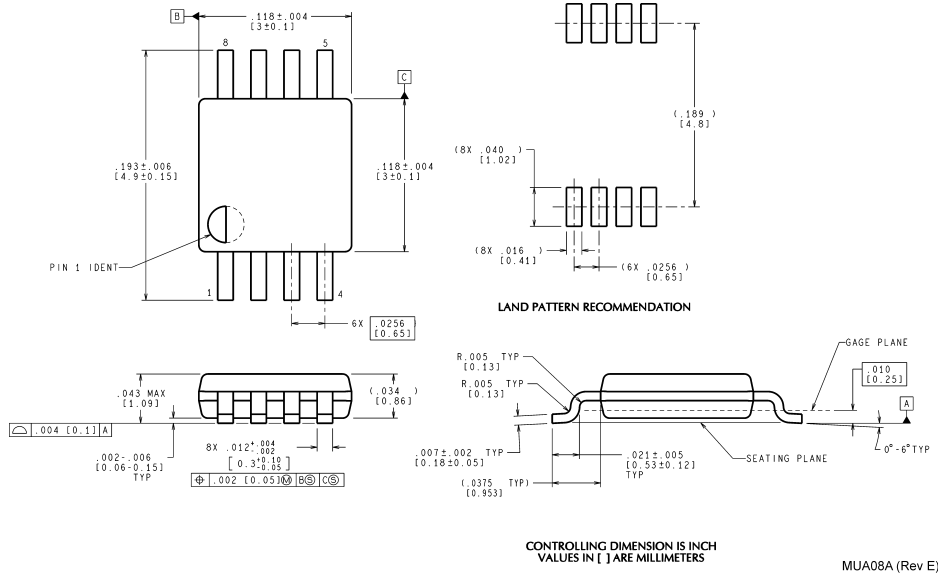
Also, for $f = 10$ kHz, the center frequency is $\omega_c = 2\pi f = 62.8$ kHz.

Using the expressions above, the appropriate resistor values will be $R_2 = R_3 = 16$ k Ω .

The DC gain of this circuit is:

$$\text{DC GAIN} = \left[\frac{R_1 + R_4}{R_1} \right] \left[\frac{R_6}{R_5 + R_6} \right] = -14.8 \text{ dB} \quad (26)$$

Physical Dimensions inches (millimeters) unless otherwise noted



8-Pin MSOP
NS Package Number MUA08A

National does not assume any responsibility for use of any circuitry described, no circuit patent licenses are implied and National reserves the right at any time without notice to change said circuitry and specifications.
For the most current product information visit us at www.national.com.

LIFE SUPPORT POLICY

NATIONAL'S PRODUCTS ARE NOT AUTHORIZED FOR USE AS CRITICAL COMPONENTS IN LIFE SUPPORT DEVICES OR SYSTEMS WITHOUT THE EXPRESS WRITTEN APPROVAL OF THE PRESIDENT AND GENERAL COUNSEL OF NATIONAL SEMICONDUCTOR CORPORATION. As used herein:

1. Life support devices or systems are devices or systems which, (a) are intended for surgical implant into the body, or (b) support or sustain life, and whose failure to perform when properly used in accordance with instructions for use provided in the labeling, can be reasonably expected to result in a significant injury to the user.
2. A critical component is any component of a life support device or system whose failure to perform can be reasonably expected to cause the failure of the life support device or system, or to affect its safety or effectiveness.

BANNED SUBSTANCE COMPLIANCE

National Semiconductor follows the provisions of the Product Stewardship Guide for Customers (CSP-9-111C2) and Banned Substances and Materials of Interest Specification (CSP-9-111S2) for regulatory environmental compliance. Details may be found at: www.national.com/quality/green.
Lead free products are RoHS compliant.



National Semiconductor
Americas Customer
Support Center
Email: new.feedback@nsc.com
Tel: 1-800-272-9959

National Semiconductor
Europe Customer Support Center
Fax: +49 (0) 180-530 85 86
Email: europe.support@nsc.com
Deutsch Tel: +49 (0) 69 9508 6208
English Tel: +44 (0) 870 24 0 2171
Français Tel: +33 (0) 1 41 91 8790

National Semiconductor
Asia Pacific Customer
Support Center
Email: ap.support@nsc.com

National Semiconductor
Japan Customer Support Center
Fax: 81-3-5639-7507
Email: jpn.feedback@nsc.com
Tel: 81-3-5639-7560