

LM4250 Programmable Operational Amplifier

GENERAL DESCRIPTION

The 4250 is an extremely versatile programmable monolithic operational amplifier. A single external master bias current setting resistor programs the input bias current, input offset current, quiescent power consumption, slew rate, input noise, and the gain-bandwidth product.

The 4250C is guaranteed over a 0°C to 70°C temperature range.

RESISTOR BIASING

Set Current Setting Resistor to V⁻

V _S	I _{SET}				
	0.1 μA	0.5 μA	1.0 μA	5 μA	10 μA
± 1.5V	25.6 MΩ	5.04 MΩ	2.5 MΩ	492 kΩ	244 kΩ
± 3.0V	55.6 MΩ	11.0 MΩ	5.5 MΩ	1.09 MΩ	544 kΩ
± 6.0V	116 MΩ	23.0 MΩ	11.5 MΩ	2.29 MΩ	1.14 MΩ
± 9.0V	176 MΩ	35.0 MΩ	17.5 MΩ	3.49 MΩ	1.74 MΩ
± 12.0V	236 MΩ	47.0 MΩ	23.5 MΩ	4.69 MΩ	2.34 MΩ
± 15.0V	296 MΩ	59.0 MΩ	29.5 MΩ	5.89 MΩ	2.94 MΩ

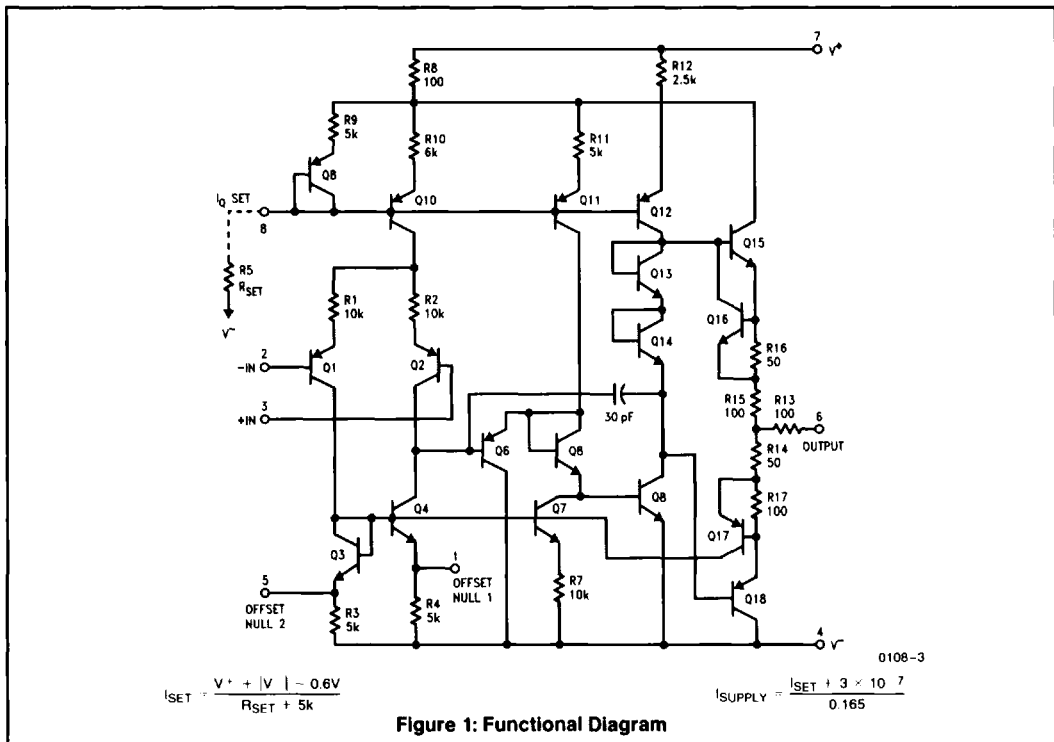
FEATURES

- ± 1V to ± 18V Power Supply Operation
- 3 nA Input Offset Current
- Standby Power Consumption as Low as 500 nW
- No Frequency Compensation Required
- Programmable Electrical Characteristics
- Offset Voltage Nulling Capability
- Can be Powered by Two Flashlight Batteries
- Short Circuit Protection

ORDERING INFORMATION

Part Number	Temperature Range	Package
LM4250 CN	0°C to +70°C	8 Lead MINIDIP
LM4250 CJ	0°C to +70°C	8 Lead CERDIP
LM4250 CH	0°C to +70°C	TO-99 CAN
LM4250 J	-55°C to +125°C	8 Lead CERDIP
LM4250 H	-55°C to +125°C	TO-99 CAN

3
OPERATIONAL
AMPLIFIERS



HARRIS SEMICONDUCTOR, 2450 Walsh Avenue, Santa Clara, Ca. 95051
Printed in U.S.A. © Copyright 1990, Harris Corporation, All Rights Reserved

HARRIS SEMICONDUCTOR'S SOLE AND EXCLUSIVE WARRANTY OBLIGATION WITH RESPECT TO THIS PRODUCT SHALL BE THAT STATED IN THE WARRANTY ARTICLE OF THE CONDITION OF SALE. THE WARRANTY SHALL BE EXCLUSIVE AND SHALL BE IN LIEU OF ALL OTHER WARRANTIES, EXPRESS, IMPLIED OR STATUTORY, INCLUDING THE IMPLIED WARRANTIES OF MERCHANTABILITY AND FITNESS FOR A PARTICULAR USE.

NOTE: All typical values have been characterized but are not tested.

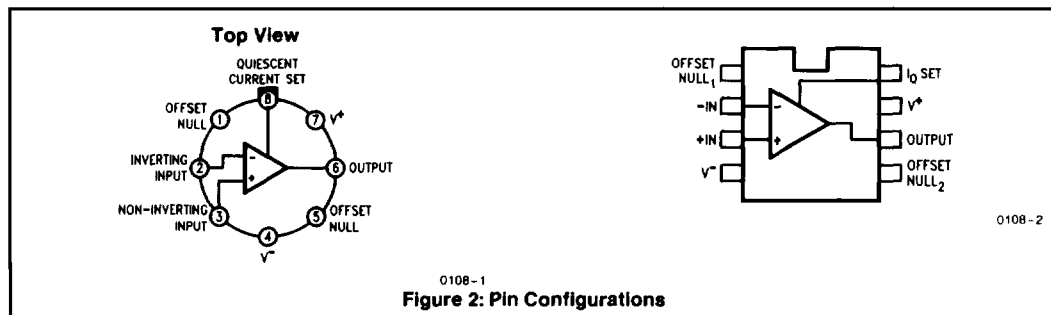
LM4250

ABSOLUTE MAXIMUM RATINGS

Supply Voltage	± 18V
Power Dissipation (Note 1)	500 mW
Differential Input Voltage	± 30V
Input Voltage (Note 2)	± 15V
I _{SET} Current	150 μA
Operating Temperature Range	
LM4250C	0°C to + 70°C
LM4250	- 55°C to + 125°C

Output Short Circuit Duration	Indefinite
Storage Temperature Range	- 65°C to + 150°C
Lead Temperature (Soldering, 10 sec.)	+ 300°C

NOTE: Stresses above those listed under "Absolute Maximum Ratings" may cause permanent damage to the device. These are stress ratings only and functional operation of the device at these or any other conditions above those indicated in the operational sections of the specifications is not implied. Exposure to absolute maximum rating conditions for extended periods may affect device reliability.



ELECTRICAL CHARACTERISTICS (0°C ≤ T_A ≤ + 70°C unless otherwise specified)

Parameters	Conditions	V _S = ± 1.5V			
		I _{SET} = 1 μA		I _{SET} = 10 μA	
		Min	Max	Min	Max
V _{OS}	T _A = 25°C, R _S ≤ 100 kΩ		5 mV		6 mV
I _{OS}	T _A = 25°C		6 nA		20 nA
I _{bias}	T _A = 25°C		10 nA		75 nA
Large Signal Voltage Gain	T _A = 25°C, R _L = 100 kΩ V _O = ± 0.6V, R _L = 10 kΩ	25k		25k	
Supply Current	T _A = 25°C		8 μA		90 μA
Power Consumption	T _A = 25°C		24 μW		270 μW
V _{OS}	R _S ≤ 10 kΩ		6.5 mV		7.5 mV
I _{OS}			8 nA		25 nA
I _{bias}			10 nA		80 nA
Input Voltage Range		± 0.6V		+ 0.6V	
Large Signal Voltage Gain	V _O = ± 0.6V, R _L = 100 kΩ R _L = 10 kΩ	25k		25k	
Output Voltage Swing	R _L = 100 kΩ R _L = 10 kΩ	± 0.6V		± 0.6V	
Common Mode Rejection Ratio	R _S < 10 kΩ	70 dB		70 dB	
Supply Voltage Rejection Ratio	R _S < 10 kΩ	65 dB		65 dB	
Supply Current			8 μA		90 μA
Power Consumption			24 μW		270 μW

NOTE: All typical values have been characterized but are not tested

LM4250

ELECTRICAL CHARACTERISTICS (0°C ≤ T_A ≤ +70°C unless otherwise specified) (Continued)

Parameters	Conditions	V _S = ±15V			
		I _{SET} = 1 μA		I _{SET} = 10 μA	
		Min	Max	Min	Max
V _{OS}	T _A = 25°C, R _S ≤ 100 kΩ		5 mV		6 mV
I _{OS}	T _A = 25°C		6 nA		20 nA
I _{bias}	T _A = 25°C		10 nA		75 nA
Large Signal Voltage Gain	T _A = 25°C, R _L = 100 kΩ V _O = ±10V, R _L = 10 kΩ	60k		60k	
Supply Current	T _A = 25°C		11 μA		100 μA
Power Consumption	T _A = 25°C		330 μW		3 mW
V _{OS}	R _S ≤ 10 kΩ		6.5 mV		7.5 mV
I _{OS}			8 nA		25 nA
I _{bias}			10 nA		80 nA
Input Voltage Range		±13.5V		±13.5V	
Large Signal Voltage Gain	V _O = ±10V, R _L = 100 kΩ R _L = 10 kΩ	50k		50k	
Output Voltage Swing	R _L = 100 kΩ R _L = 10 kΩ	±12V		±12V	
Common Mode Rejection Ratio	R _S ≤ 10 kΩ	70 dB		70 dB	
Supply Voltage Rejection Ratio	R _S ≤ 10 kΩ	74 dB		74 dB	
Supply Current			11 μA		100 μA
Power Consumption			300 μW		3 mW

NOTE 1: Derate linearly at -6.7 mW/°C for ambient temperatures above +95°C for the military temperature range. Derate linearly at -6.3 mW/°C for ambient temperatures above +45°C for the commercial temperature range.

2: For supply voltages less than ±15V, the absolute maximum input voltage is equal to the supply voltage.

3

OPERATIONAL
AMPLIFIERS

NOTE: All typical values have been characterized but are not tested.

LM4250

ELECTRICAL CHARACTERISTICS ($-55^{\circ}\text{C} \leq T_A \leq +125^{\circ}\text{C}$ unless otherwise specified)

Parameters	Conditions	$V_S = \pm 1.5\text{V}$			
		$I_{\text{SET}} = 1\ \mu\text{A}$		$I_{\text{SET}} = 10\ \mu\text{A}$	
		Min	Max	Min	Max
V_{OS}	$T_A = 25^{\circ}\text{C}, R_S \leq 100\ \text{k}\Omega$		6 mV		6 mV
I_{OS}	$T_A = 25^{\circ}\text{C}$		6 nA		20 nA
I_{bias}	$T_A = 25^{\circ}\text{C}$		10 nA		75 nA
Large Signal Voltage Gain	$T_A = 25^{\circ}\text{C}, R_L = 100\ \text{k}\Omega$ $V_O = \pm 0.6\text{V}, R_L = 10\ \text{k}\Omega$	25k		25k	
Supply Current	$T_A = 25^{\circ}\text{C}$		8 μA		90 μA
Power Consumption	$T_A = 25^{\circ}\text{C}$		24 μW		270 mW
V_{OS}	$R_S \leq 10\ \text{k}\Omega$		7.5 mV		7.5 mV
I_{OS}			8 nA		25 nA
I_{bias}			10 nA		80 nA
Input Voltage Range		$\pm 0.6\text{V}$		$\pm 0.6\text{V}$	
Large Signal Voltage Gain	$V_O = \pm 0.5\text{V}, R_L = 100\ \text{k}\Omega$ $R_L = 10\ \text{k}\Omega$	25k		25k	
Output Voltage Swing	$R_L = 100\ \text{k}\Omega$ $R_L = 10\ \text{k}\Omega$	$\pm 0.6\text{V}$		$\pm 0.6\text{V}$	
Common Mode Rejection Ratio	$R_S \leq 10\ \text{k}\Omega$	70 dB		70 dB	
Supply Voltage Rejection Ratio	$R_S \leq 10\ \text{k}\Omega$	65 dB		65 dB	
Supply Current			8 μA		90 μA
Power Consumption			24 μW		270 μW

NOTE: All typical values have been characterized but are not tested.

LM4250

ELECTRICAL CHARACTERISTICS ($-55^{\circ}\text{C} \leq T_A \leq +125^{\circ}\text{C}$ unless otherwise specified) (Continued)

Parameters	Conditions	$V_S = \pm 15\text{V}$			
		$I_{SET} = 1\ \mu\text{A}$		$I_{SET} = 10\ \mu\text{A}$	
		Min	Max	Min	Max
V_{OS}	$T_A = 25^{\circ}\text{C}, R_S \leq 100\ \text{k}\Omega$		6 mV		6 mV
I_{OS}	$T_A = 25^{\circ}\text{C}$		6 nA		20 nA
I_{bias}	$T_A = 25^{\circ}\text{C}$		10 nA		75 nA
Large Signal Voltage Gain	$T_A = 25^{\circ}\text{C}, R_L = 100\ \text{k}\Omega$ $V_O = \pm 10\text{V}, R_L = 10\ \text{k}\Omega$	60k		60k	
Supply Current	$T_A = 25^{\circ}\text{C}$		11 μA		100 μA
Power Consumption	$T_A = 25^{\circ}\text{C}$		330 μW		3 mW
V_{OS}	$R_S \leq 10\ \text{k}\Omega$		7.5 mV		7.5 mV
I_{OS}			8 nA		25 nA
I_{bias}			10 nA		80 nA
Input Voltage Range		$\pm 13.5\text{V}$		$\pm 13.5\text{V}$	
Large Signal Voltage Gain	$V_O = \pm 10\text{V}, R_L = 100\ \text{k}\Omega$ $R_L = 10\ \text{k}\Omega$	50k		50k	
Output Voltage Swing	$R_L = 100\ \text{k}\Omega$ $R_L = 10\ \text{k}\Omega$	$\pm 12\text{V}$		$\pm 12\text{V}$	
Common Mode Rejection Ratio	$R_S \leq 10\ \text{k}\Omega$	70 dB		70 dB	
Supply Voltage Rejection Ratio	$R_S \leq 10\ \text{k}\Omega$	74 dB		74 dB	
Supply Current			11 μA		100 μA
Power Consumption			300 μW		3 mW

NOTE: All typical values have been characterized but are not tested.