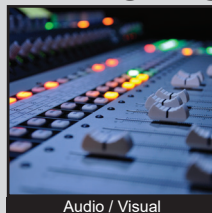


TL1220 SERIES TACT SWITCH

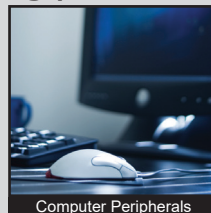
ANTI-VANDAL SWITCHES
 DETECTOR SWITCHES
 DIP SWITCHES
 KEYLOCK SWITCHES
 NAVIGATION SWITCHES
 PUSHBUTTON SWITCHES
 ROCKER SWITCHES
 ROTARY SWITCHES
 SLIDE SWITCHES
 SNAP ACTION SWITCHES
TACTILE SWITCHES
 TOGGLE SWITCHES
 CAP OPTIONS



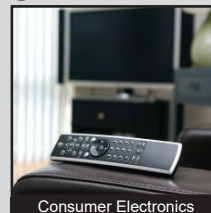
APPLICATIONS / MARKETS



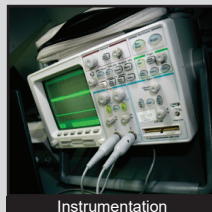
Audio / Visual



Computer Peripherals



Consumer Electronics



Instrumentation



Telecommunication



Medical Equipment

RoHS

SPECIFICATIONS

Electrical Rating: 50mA @ 12VDC
Life Expectancy: 500,000 cycles
Contact Resistance: 100mΩ @ 1.5 VDC Max. Initial
Insulation Resistance: 100 MΩ Min. at 500VAC
Dielectric Strength: 500VAC for 1 min.
Operating Temperature: -40°C to 85°C
Operating Force: 180 gf ± 50gf
Travel: 0.20mm ± 0.1mm
Contact Arrangement: SPST

FEATURES & BENEFITS

- Multiple illuminated cap options
- Single color and bi-color LED options
- Sharp tactile response

PART NUMBER CONFIGURATOR

Series	Button	Bezel	Bezel Color	Button Color	LED Color	Graphic
<input type="checkbox"/> <input type="checkbox"/> <input type="checkbox"/> <input type="checkbox"/> <input type="checkbox"/> <input type="checkbox"/> TL1220	<input type="checkbox"/> <input type="checkbox"/> N - No Button S1 - 7.5mm sq. short S2 - 7.5mm sq. tall S3 - 10x14 rect.* S4 - 10x19 rect.* S5 - 12mm sq. * (W-tran. white only) S6 - 9.6x13.7 rect.* (T-tran. green only) R1 - 7.0mm dia. R2 - 8.0mm dia. R3 - 10.0mm dia. R4 - 13.0mm dia. w/ I/O* R5 - 8.0mm dia. (W-tran. white only)****	<input type="checkbox"/> N - No Bezel B - With Bezel	<input type="checkbox"/> N - No Bezel B - Black G - Gray	<input type="checkbox"/> N - No Button B - Black G - Gray R - Red S - Silver W - Translucent White** T - Translucent Green***	<input type="checkbox"/> N - No LED R - Red G - Green Y - Yellow B - Blue W - White RG - Red-Green RY - Red-Yellow RB - Red-Blue YG - Yellow-Green YB - Yellow-Blue GB - Green-Blue	<input type="checkbox"/> N - No Graphic

* The S3, S4, S5, S6 and R4 buttons are not available with bezel options.

** W-Translucent white is only available with R5 and S5 buttons

*** T-Translucent green is only available with S6 button

**** R5 is only available with bezel option

Specifications subject to change without notice 10.9.2018



E-SWITCH®

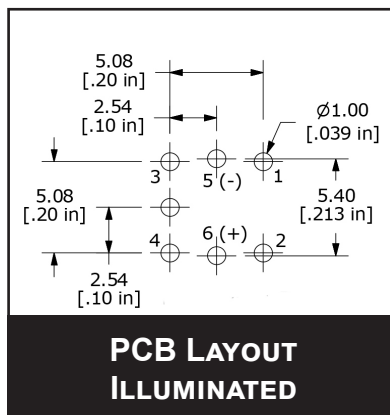
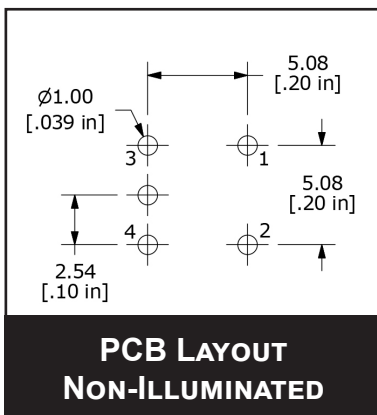
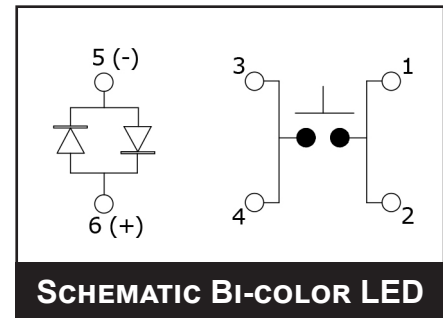
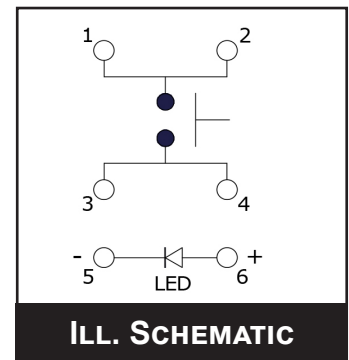
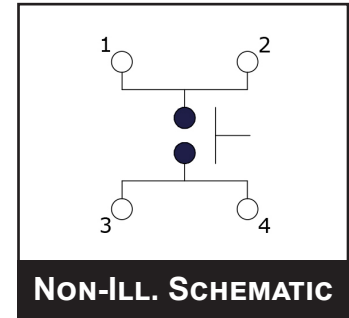
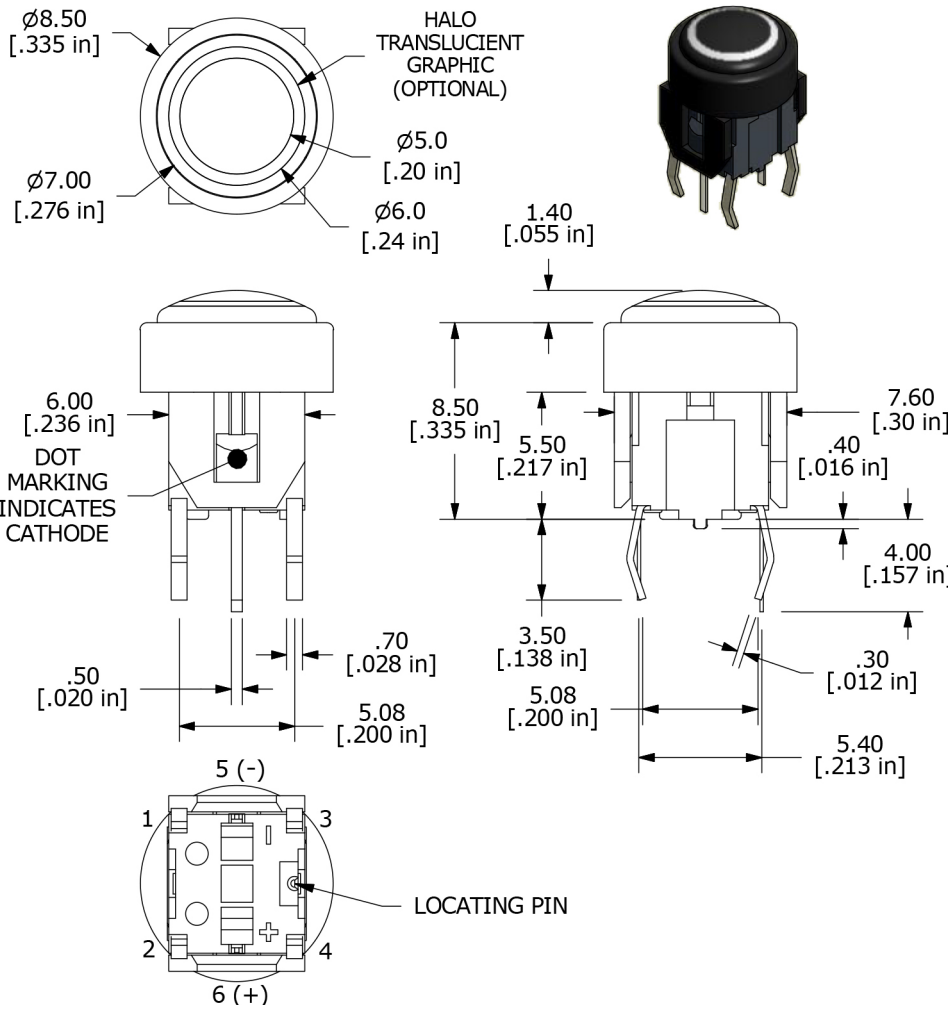
www.e-switch.com

800.867.2717

1

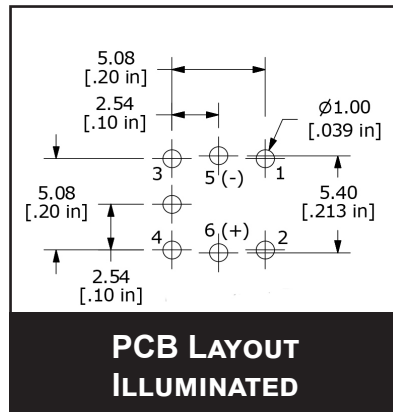
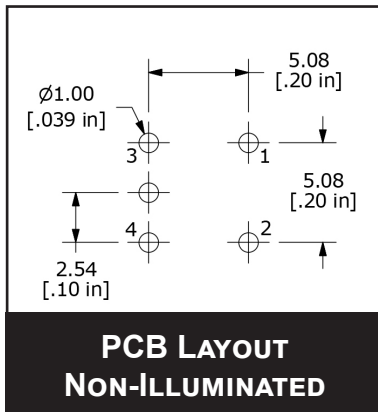
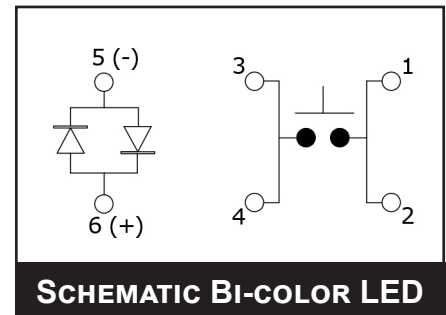
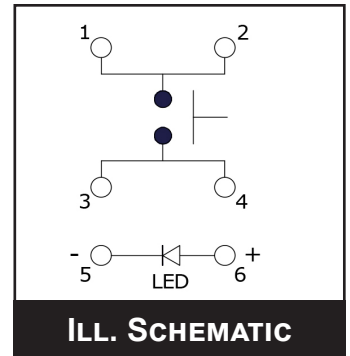
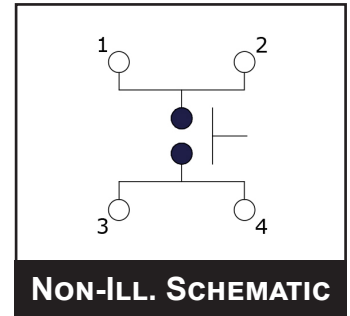
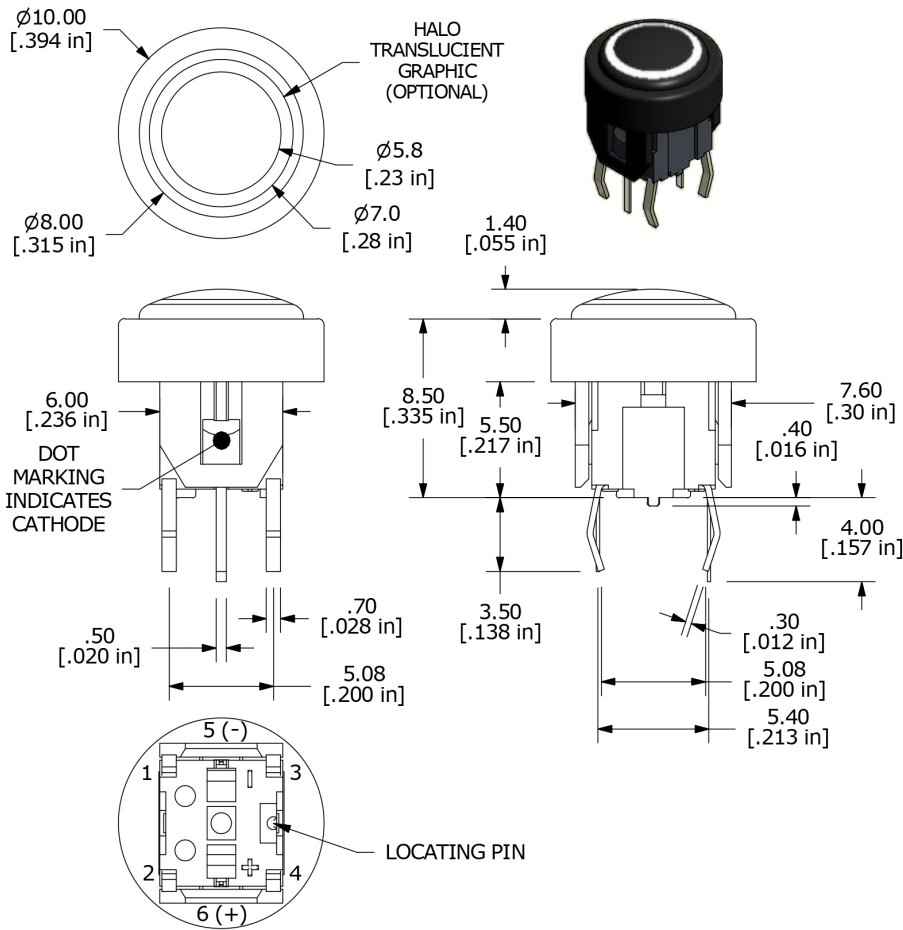
TL1220 SERIES TACT SWITCH

R1 BUTTON - 7MM DIA.

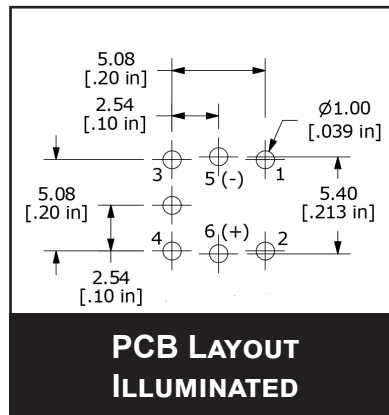
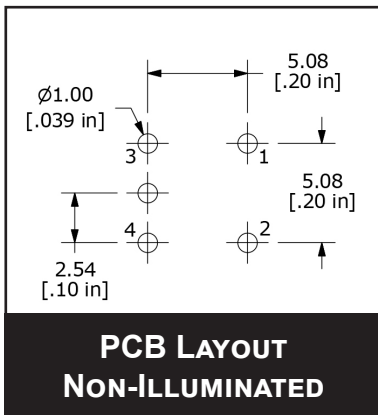
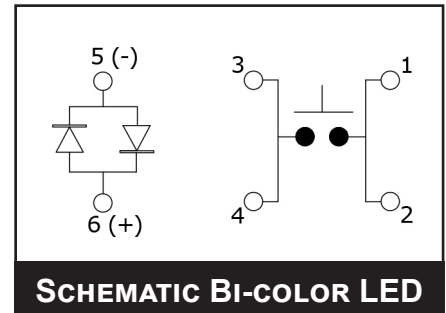
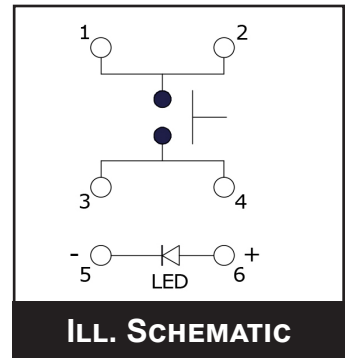
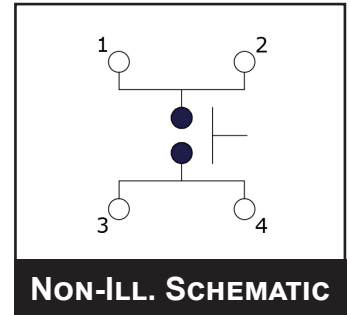
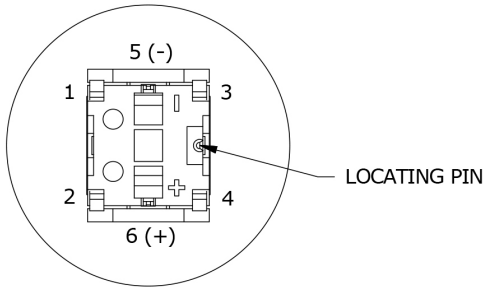
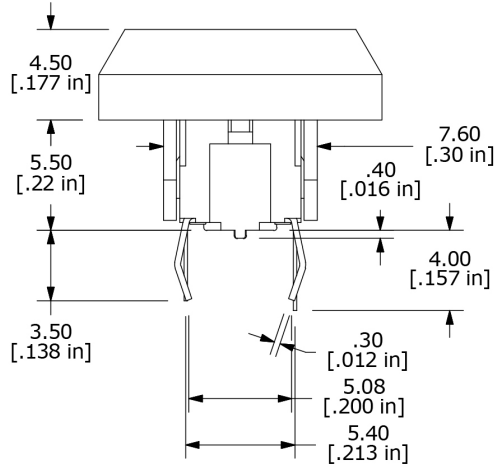
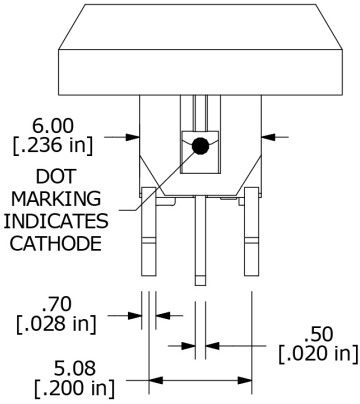
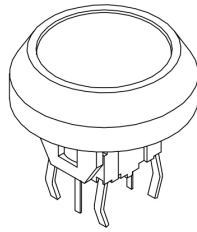
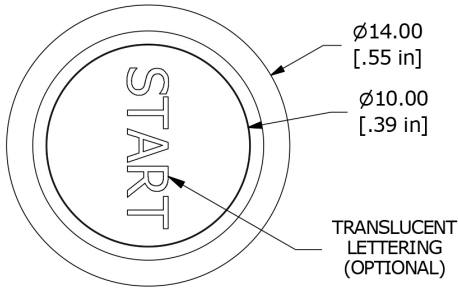


ANTI-VANDAL SWITCHES
 DETECTOR SWITCHES
 DIP SWITCHES
 KEYLOCK SWITCHES
 NAVIGATION SWITCHES
 PUSHBUTTON SWITCHES
 ROTARY SWITCHES
 SLIDE SWITCHES
 SNAP ACTION SWITCHES
 TACTILE SWITCHES
 TOGGLE SWITCHES
 CAP OPTIONS

R2 BUTTON - 8MM DIA.

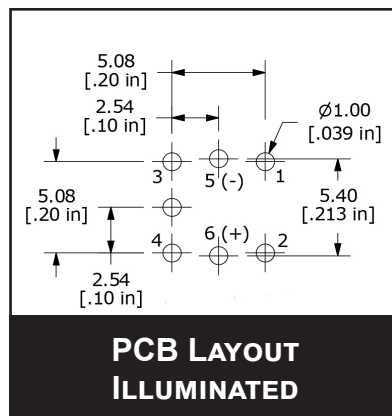
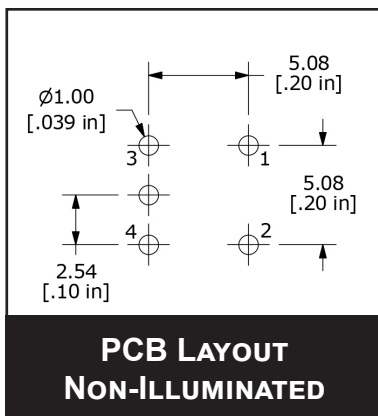
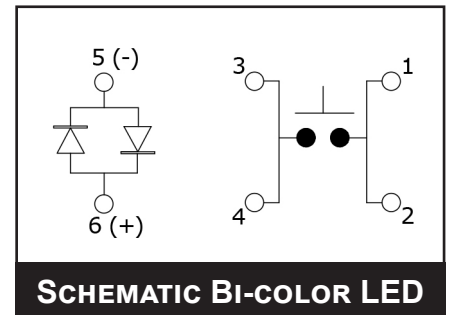
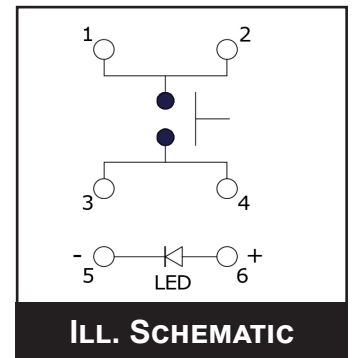
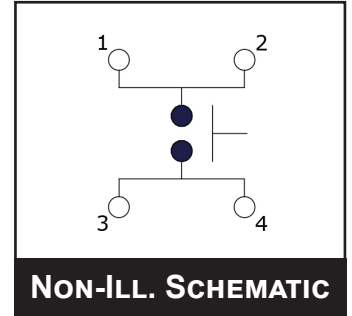
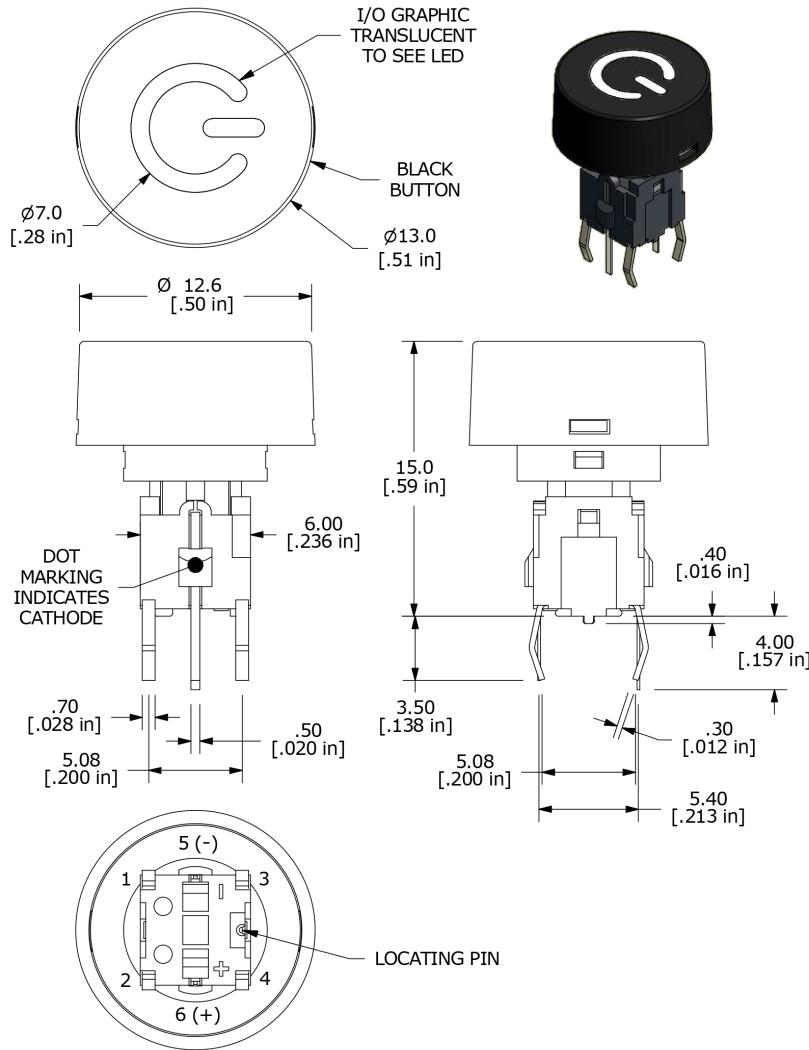


R3 BUTTON - 10MM DIA.

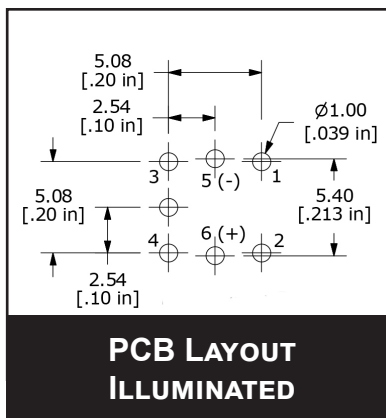
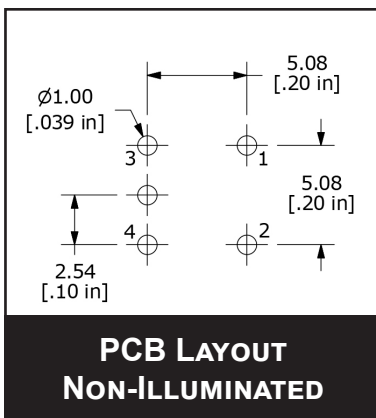
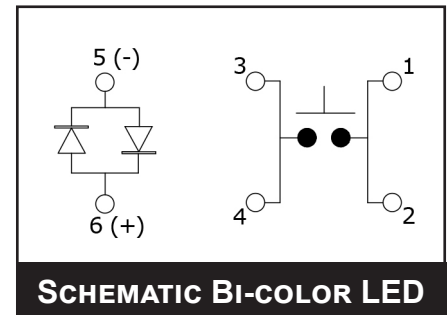
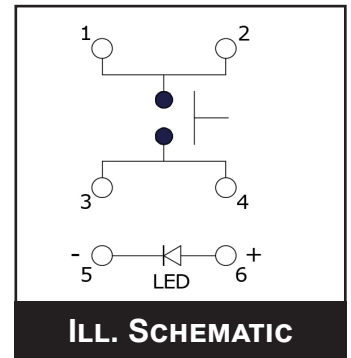
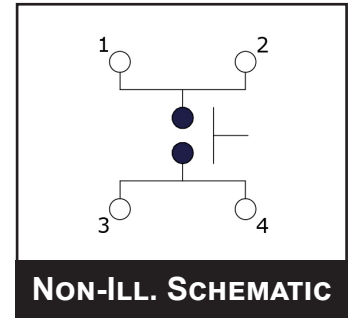
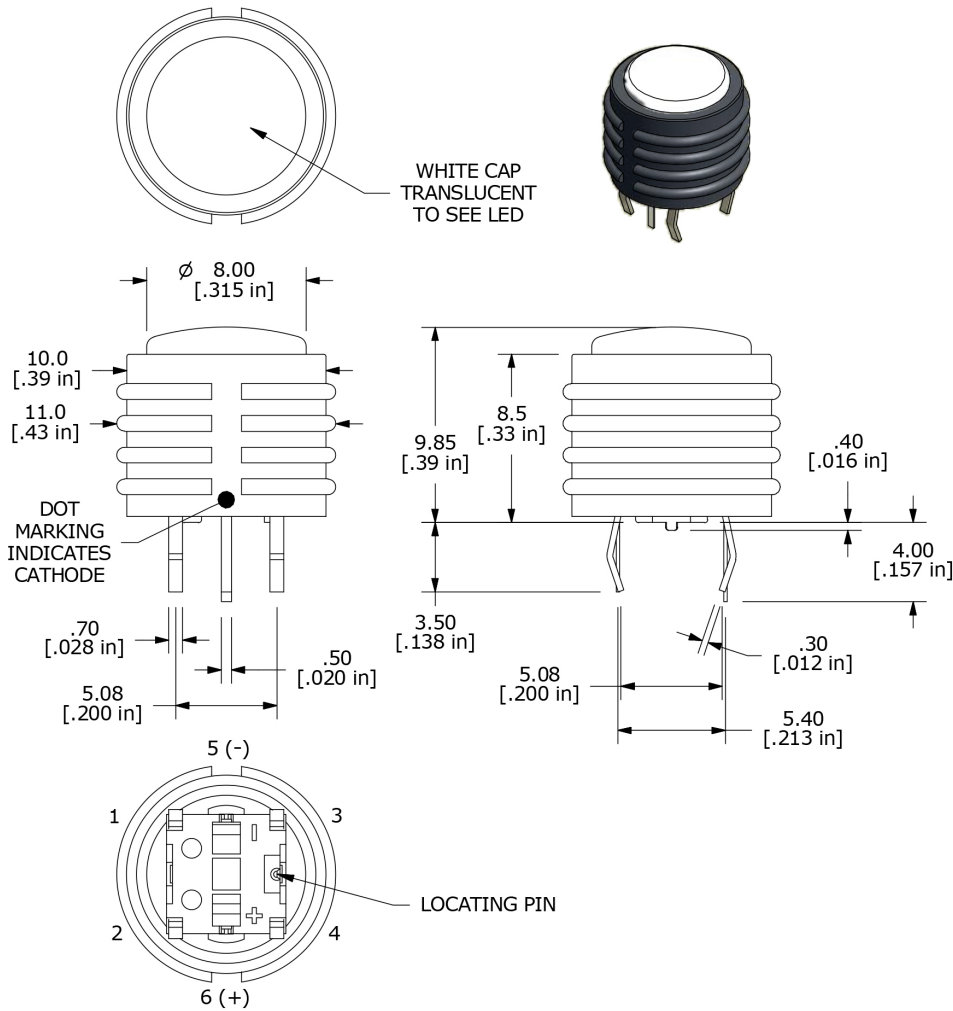


TL1220 SERIES

R4 BUTTON - 13MM DIA. W/ ILLUMINATED I/O



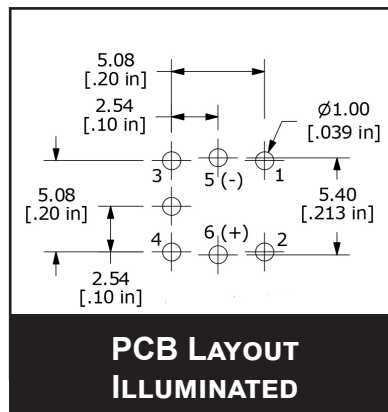
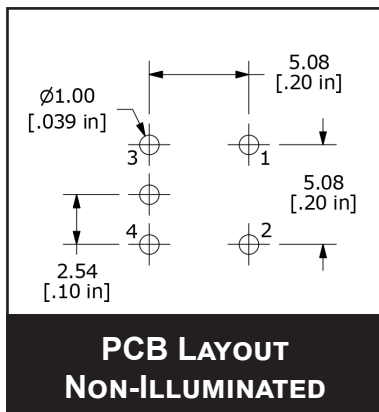
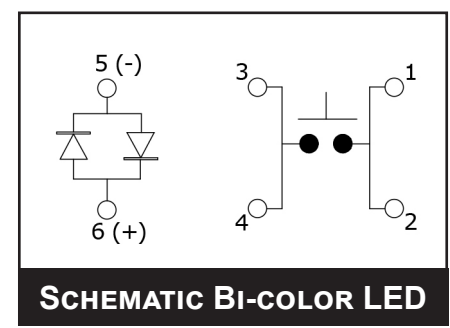
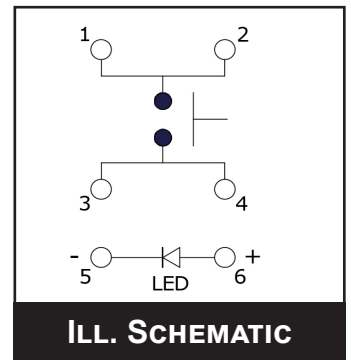
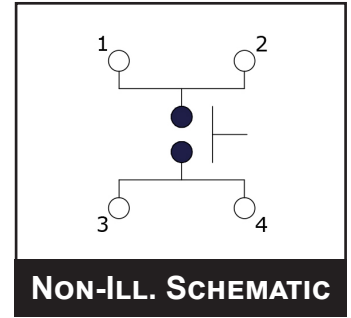
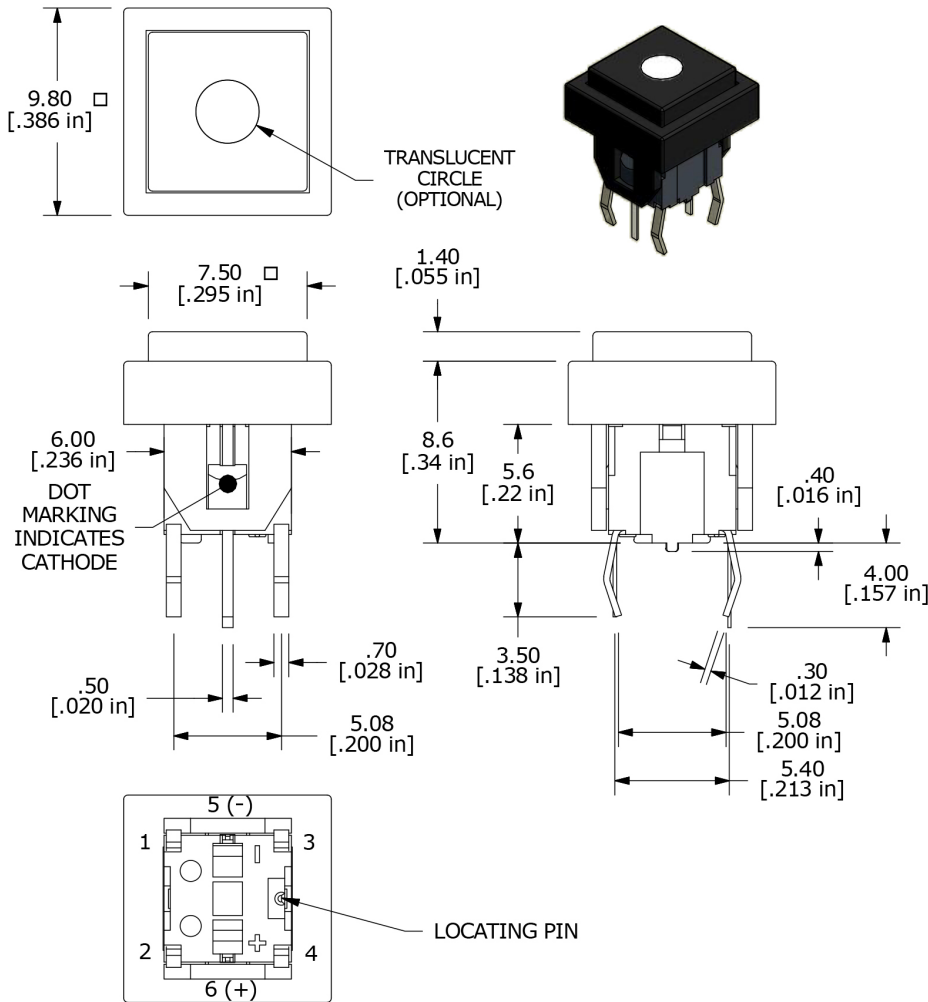
R5 BUTTON - 8MM DIA. TRANSLUCENT



- ANTI-VANDAL SWITCHES
- DETECTOR SWITCHES
- DIP SWITCHES
- KEYLOCK SWITCHES
- NAVIGATION SWITCHES
- PUSHBUTTON SWITCHES
- ROCKER SWITCHES
- ROTARY SWITCHES
- SLIDE SWITCHES
- SNAP ACTION SWITCHES
- TACTILE SWITCHES
- TOGGLE SWITCHES
- CAP OPTIONS

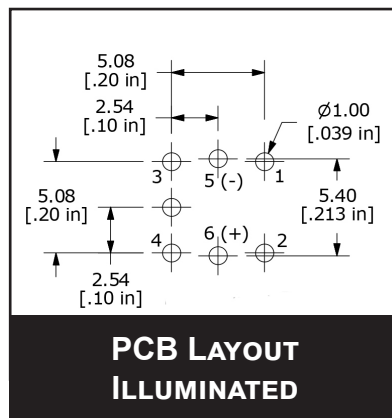
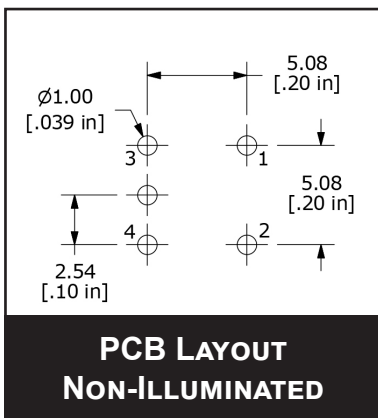
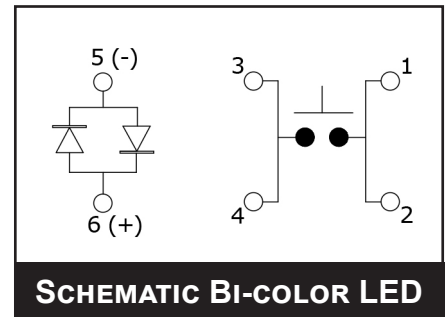
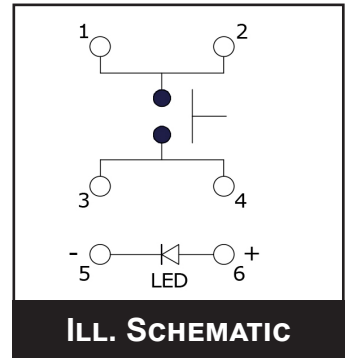
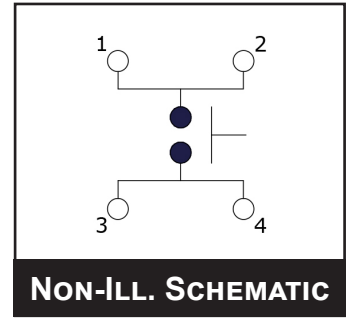
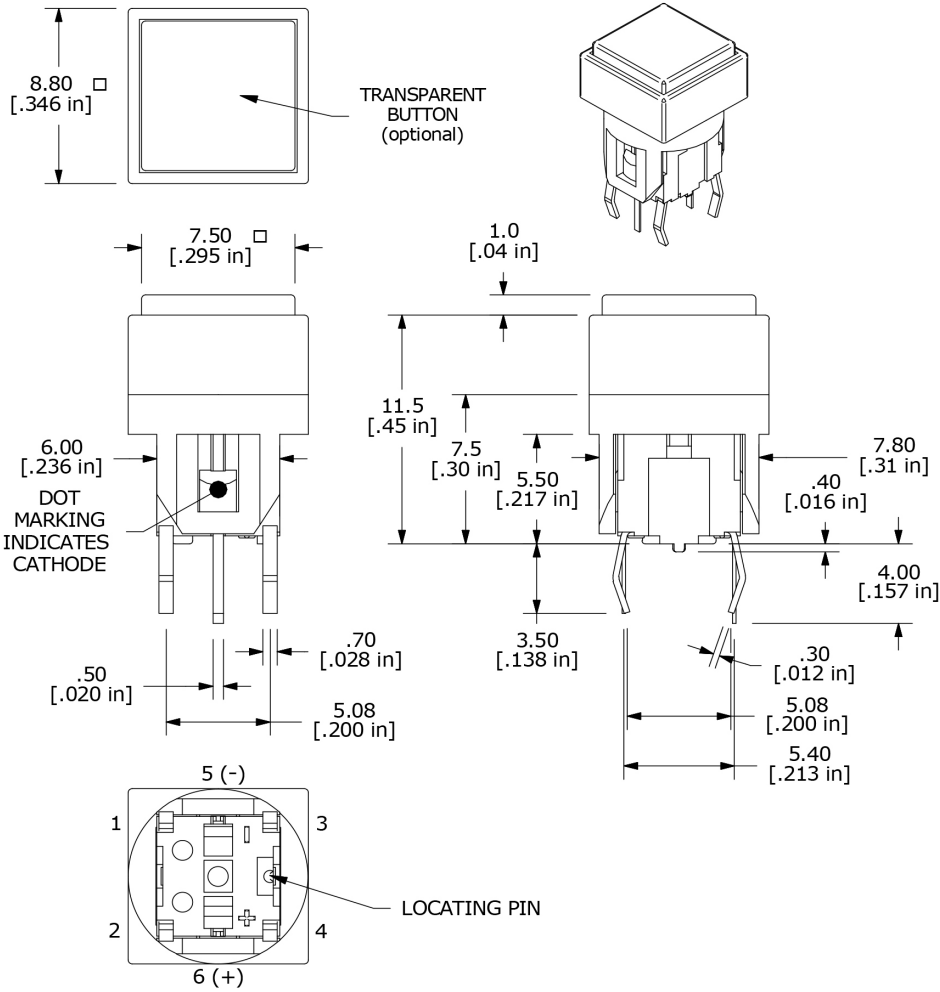


S1 BUTTON - 7.5MM SQUARE SHORT

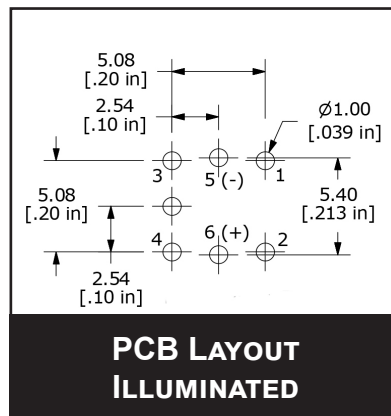
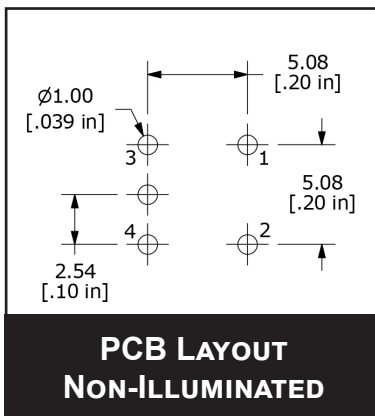
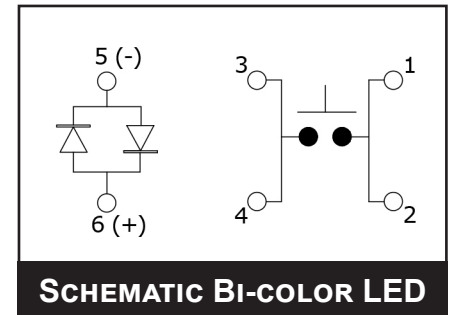
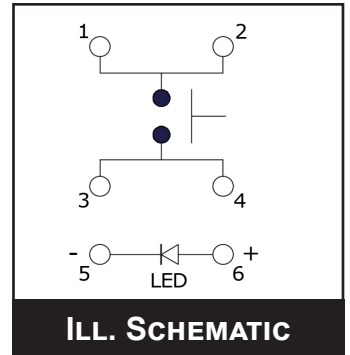
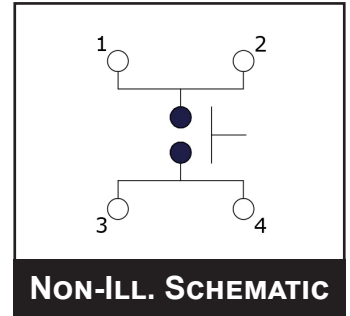
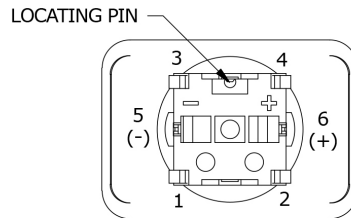
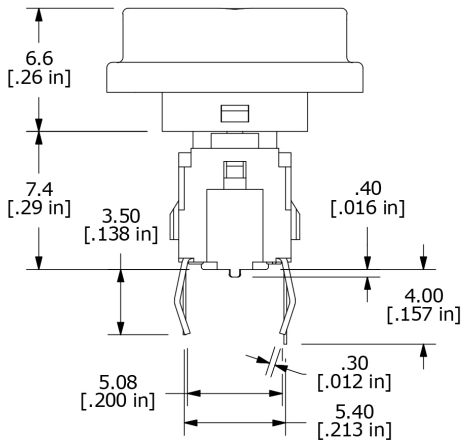
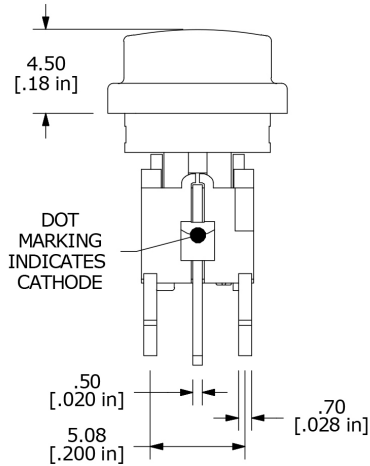
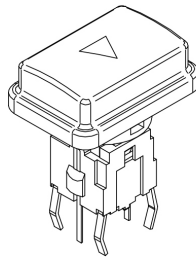
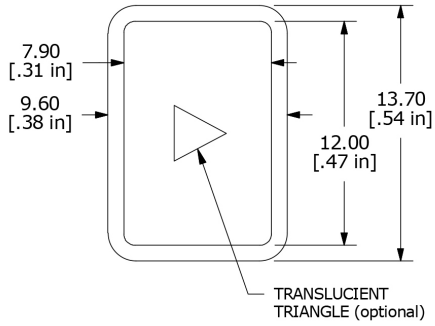


TL1220 SERIES

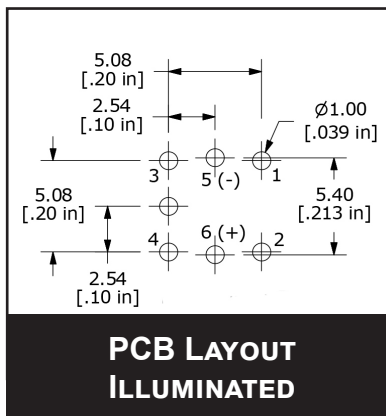
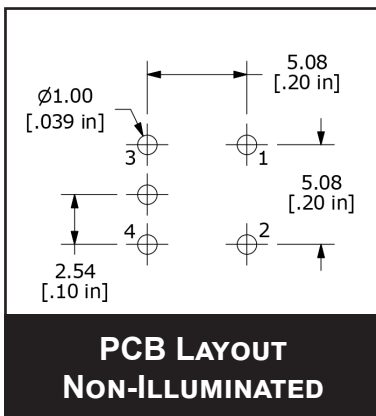
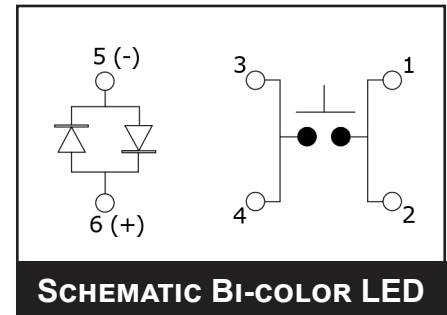
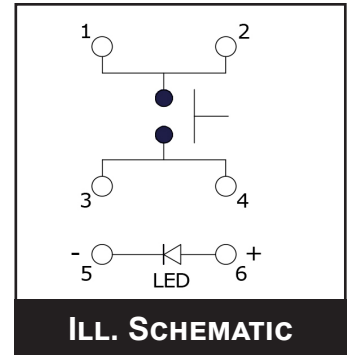
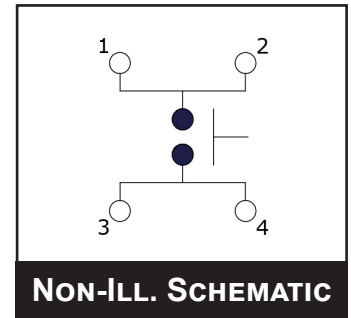
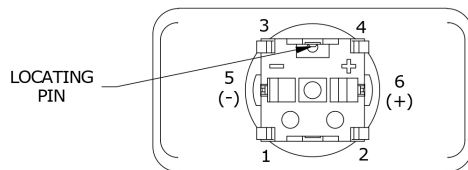
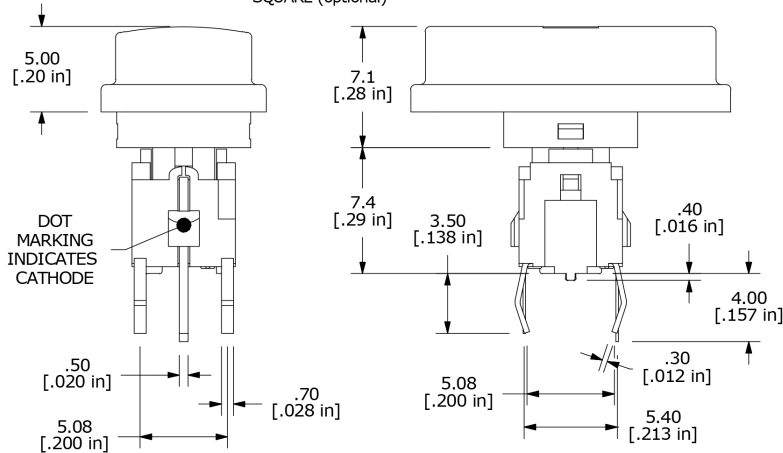
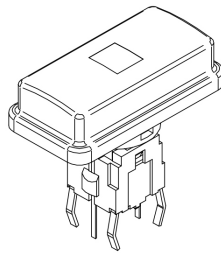
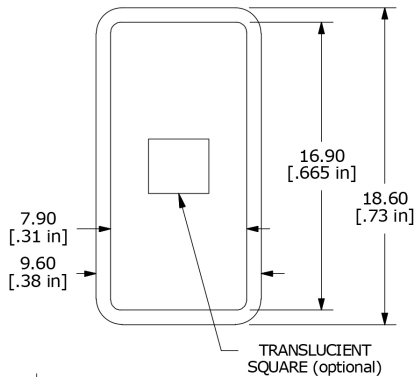
S2 BUTTON - 7.5 MM SQUARE TALL



S3 BUTTON - 10x14MM RECTANGLE

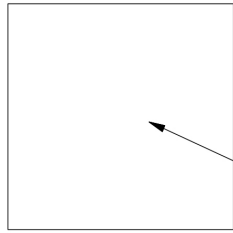


S4 BUTTON - 10x19MM RECTANGLE

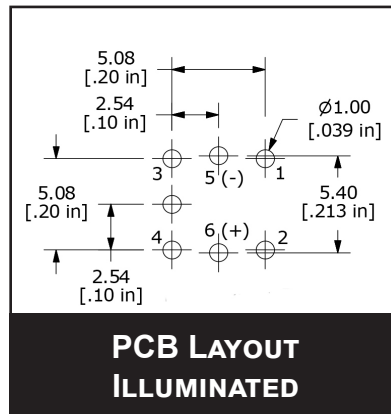
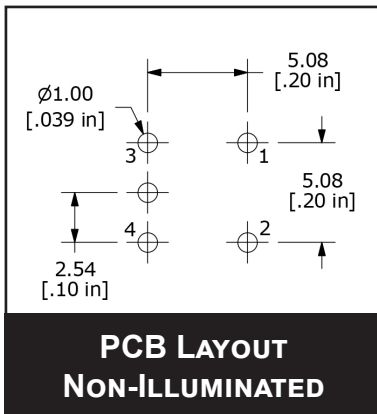
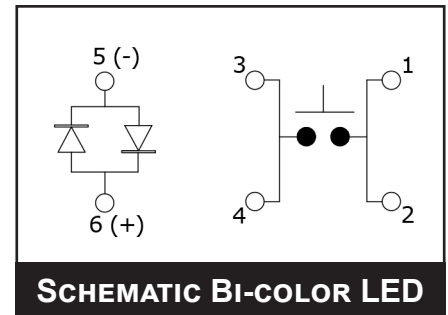
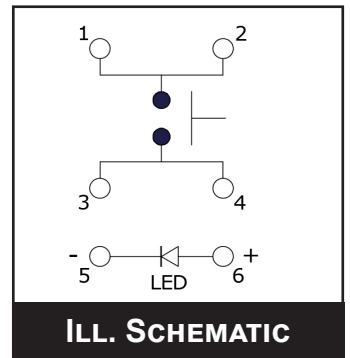
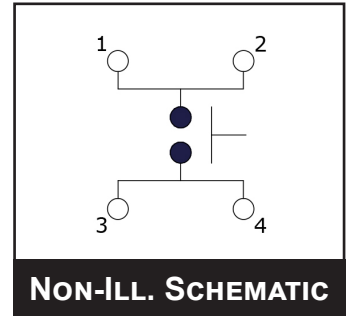
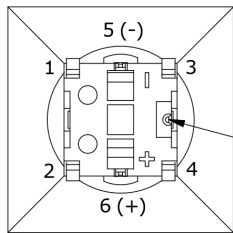
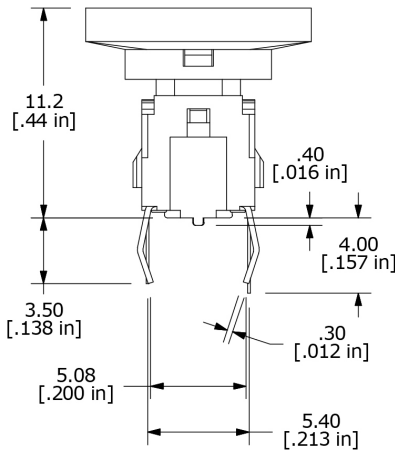
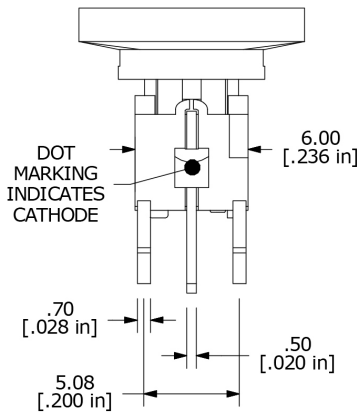
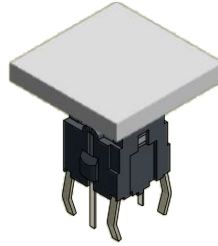


S5 BUTTON - 12MM SQUARE

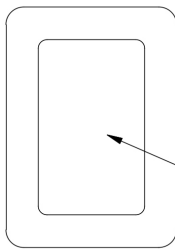
□ 12.00
[.472 in]



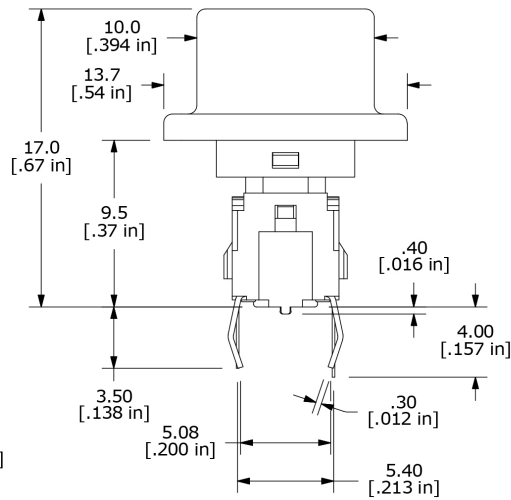
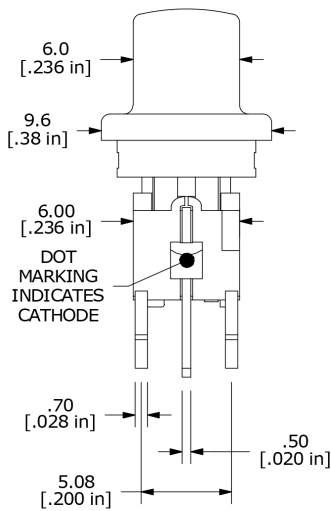
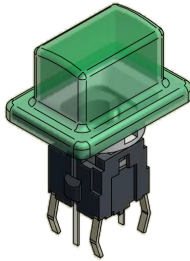
WHITE CAP
TRANSLUCENT
TO SEE LED



S6 BUTTON - 9.6x13.7MM RECTANGLE GREEN TRANSLUCENT



GREEN CAP
TRANSLUCENT



LOCATING PIN

