

RP73PF1J10K7BTDF ✓ ACTIVE

Holsworthy | Holsworthy RP73

TE Internal #: 2176089-3

10.7K Ω , Thin Film, Precision Resistor, .1 %, 2 Termination, 0603, Taped & Reeled, .166 W, ± 25 ppm/ $^{\circ}\text{C}$, Solder, Holsworthy RP73

[View on TE.com >](#)



Passive Components > Resistors > Surface Mount Resistors



Resistor Type: **Precision Resistor**

Number of Terminations: **2**

Package Size Code: **0603**

Packaging Method: **Taped & Reeled**

Passive Component Tolerance: **.1 %**

Features

Product Type Features

Resistor Type	Precision Resistor
Package Size Code	0603
Element Type	Thin Film

Configuration Features

Number of Resistors	1
---------------------	---

Electrical Characteristics

Operating Voltage	100 V
Passive Component Tolerance	.1 %
Resistance Class	1k Ω – 1M Ω
Resistance Value	10.7K Ω
Power Rating	.166 W

Termination Features

Number of Terminations	2
Surface Mount Resistor Termination Type	Solder

Dimensions

Product Height	.45 mm[.018 in]
Product Length	1.55 mm[.061 in]
Product Width	.8 mm[.031 in]



Usage Conditions

Temperature Coefficient	± 25 ppm/ $^{\circ}\text{C}$
-------------------------	----------------------------------

Packaging Features

Packaging Method	Taped & Reeled
------------------	----------------

Product Compliance

[For compliance documentation, visit the product page on TE.com>](#)

EU RoHS Directive 2011/65/EU	Compliant
EU ELV Directive 2000/53/EC	Compliant
China RoHS 2 Directive MIIT Order No 32, 2016	No Restricted Materials Above Threshold
EU REACH Regulation (EC) No. 1907/2006	Current ECHA Candidate List: JUNE 2023 (235) Candidate List Declared Against: JUNE 2023 (235) Does not contain REACH SVHC
Halogen Content	Low Halogen - Br, Cl, F, I < 900 ppm per homogenous material. Also BFR/CFR/PVC Free
Solder Process Capability	Reflow solder capable to 260 $^{\circ}\text{C}$

Product Compliance Disclaimer

This information is provided based on reasonable inquiry of our suppliers and represents our current actual knowledge based on the information they provided. This information is subject to change. The part numbers that TE has identified as EU RoHS compliant have a maximum concentration of 0.1% by weight in homogenous materials for lead, hexavalent chromium, mercury, PBB, PBDE, DBP, BBP, DEHP, DIBP, and 0.01% for cadmium, or qualify for an exemption to these limits as defined in the Annexes of Directive 2011/65/EU (RoHS2). Finished electrical and electronic equipment products will be CE marked as required by Directive 2011/65/EU. Components may not be CE marked. Additionally, the part numbers that TE has identified as EU ELV compliant have a maximum concentration of 0.1% by weight in homogenous materials for lead, hexavalent chromium, and mercury, and 0.01% for cadmium, or qualify for an exemption to these limits as defined in the Annexes of Directive 2000/53/EC (ELV). Regarding the REACH Regulation, the information TE provides on SVHC in articles for this part number is based on the latest European Chemicals Agency (ECHA) 'Guidance on requirements for substances in articles' posted at this URL: <https://echa.europa.eu/guidance-documents/guidance-on-reach>

Compatible Parts




TE Part # 1625867-2
RP 1J 0.166W 10K 0.1% 25PPM 1K RL



TE Part # 2176093-5
RP 2A 0.25W 10K 0.1% 25PPM 1K RL



TE Part # 1-2176092-8
RP 2A 0.25W 1K0 0.1% 25PPM 1K RL

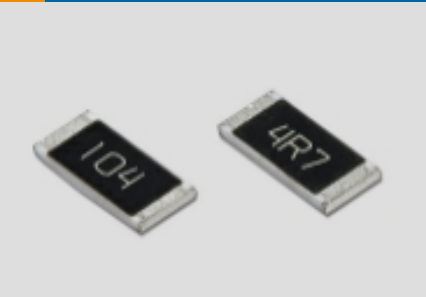


TE Part # 2176308-5
RP 1E 0.1W 147K 0.1% 25PPM 5K RL



TE Part # 2-2176308-7
RP 1E 0.1W 249K 0.1% 25PPM 5K RL

Also in the Series | **Holsworthy RP73**



Surface Mount Resistors(4556)

Customers Also Bought




TE Part #1625966-2
HSA10 100R 5%



TE Part #1734753-1
MINI USB, TYPE B, VERTICAL, T/H



TE Part #5747404-3
FEMALE SCRLOCK,METRIC,ZN PLTD



TE Part #2058703-1
Herm Blade & Recp Assy, 2 Pos,Latch



TE Part #1623094-1
CRG0603 ZEROHM



TE Part #6-2176088-1
RP 1J 0.166W 3K74 0.1% 25PPM 1K RL



TE Part #5-2301996-7
RJ45 JACK INT.MAG. 1GB LED 1X2 INV.



Documents

CAD Files

3D PDF

3D

Customer View Model

[ENG_CVM_CVM_2176089-3_BA.2d_dxf.zip](#)

English

Customer View Model

[ENG_CVM_CVM_2176089-3_BA.3d_igs.zip](#)

English

Customer View Model

[ENG_CVM_CVM_2176089-3_BA.3d_stp.zip](#)

English

By downloading the CAD file I accept and agree to the [Terms and Conditions](#) of use.

Datasheets & Catalog Pages

[RP73-0915](#)

English