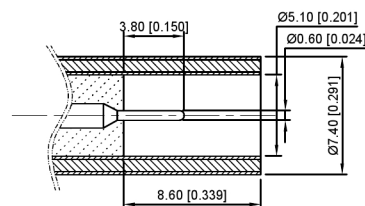
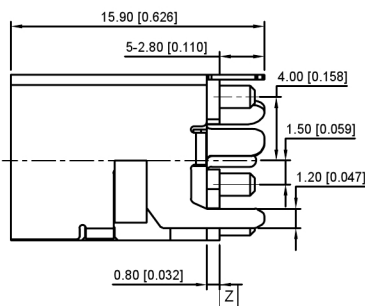
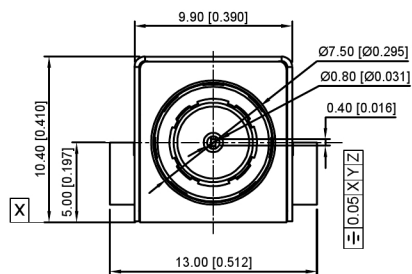


PCB LAYOUT TOP VIEW
TOLERANCES:±0.05



DC PLUG

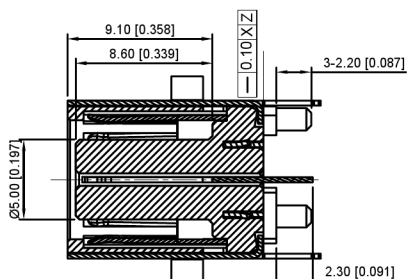
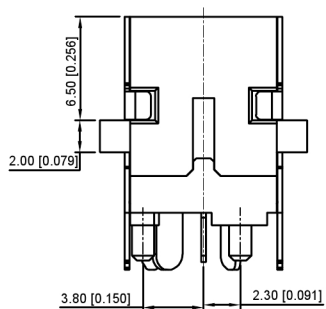
SPECIFICATIONS:

1.ELECTRICAL CHARACTERISTICS:

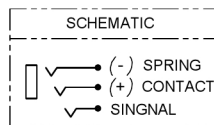
- 1-1.RATING:25V,8A Min
- 1-2.CONTACT RESISTANCE:
50MILLIOHMS Max.FOR INITIAL,
80MILLIOHMS Max.FFTER 5000 CYCLES
- 1-3.INSULATION RESISTANCE:10 MEGAOHMS Min.
BY 500V DC AFTER 1 MINUTE.
- 1-4.DIELECTRIC WITHSTANDING VOLTAGE:500V
RMS AFTER 1 MINUTE.

2.MECHANICAL CHARACTERISTICS:

- 2-1.INSERTION FORCE:0.3~3.0 KGF(2.94~29.4N)
- 2-2.WITHDRAWAL FORCE:0.3~3.0 KGF(2.94~29.4N)
- 3.LIFE TEST:5000 CYCLES MIN.



SECTION A-A



| NO. | PART NAME | QTY | MATERIAL(THICK) | PLATING(COLOR) |
|-----|-------------|-----|-------------------------|----------------|
| ⑥ | COVER | 1 | HIGH TEMP.THERMOPLASTIC | Black |
| ⑤ | HOUSING | 1 | HIGH TEMP.THERMOPLASTIC | Black |
| ④ | SHELL | 1 | COPPER ALLOY t=0.30 | Ni-Plated |
| ③ | TERMINAL 3# | 1 | COPPER ALLOY t=0.30 | Au-Plated |
| ② | TERMINAL 2# | 1 | COPPER ALLOY t=0.30 | Au-Plated |
| ① | TERMINAL 1# | 1 | COPPER ALLOY t=0.30 | Au-Plated |

广东星坤科技股份有限公司

| | |
|------|-------------|
| ΔX | 日期 |
| ΔX | 日期 |
| ΔX | 日期 |
| MARK | DESCRIPTION |

文件工程章

| REVISIONS | DATE | REVISED | APPROVED | UNSPECIFIED TOLERANCES |
|-------------|------|---------|----------|------------------------|
| ANGLAR | | ±5° | | |
| L ≤ 4 | | ±0.2 | | |
| 4 < L ≤ 16 | | ±0.3 | | |
| 16 < L ≤ 63 | | ±0.4 | | |
| L > 63 | | ±0.5 | | |



| | | |
|---------------------------------------|-------------|------------------------------|
| DSND | SCALE: N/A | MODEL TYPE: DC POWER JACK |
| DWN | VIEW: | PART NO.: DC-070D-8A-0.8 |
| CHKD | UNIT: mm/in | DWG NO.: |
| APPD | SIZE: A4 | |
| XKB INDUSTRIAL PRECISION CO., LIMITED | | WEIGHT |
| | | SHEET |
| | | REVISIC |
| | | 1/1 |
| | | A0 |