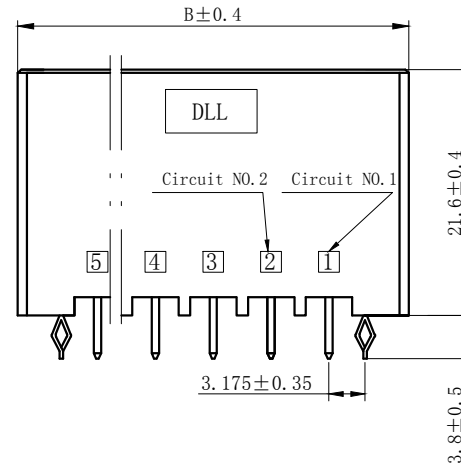
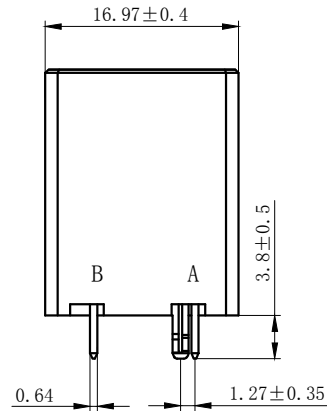


**技术特性/Specifications:**

额定电压 Rated voltage: 600V AC, DC  
额定电流 Rated current: 15A AC, DC max  
接触电阻 Contact resistance: 10m $\Omega$  max  
绝缘电阻 Insulation resistance: 1000M $\Omega$  min  
耐压 Withstand voltage: 220V AC/minute  
环境温度 Ambient temperature: -40 $^{\circ}$ C~+105 $^{\circ}$ C  
适用线规 Wire range: AWG#32~#28

REV.	REVISION DESCRIPTION	DATE	APPD



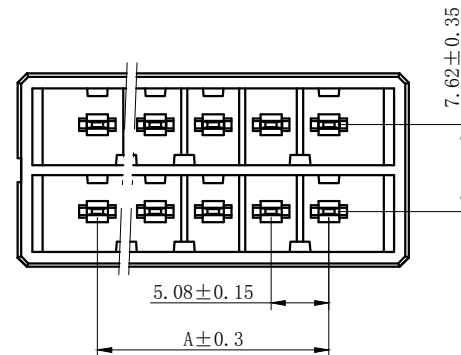
**NORES:**

1. Rated voltage: 600V AC.DC
2. Rated current: 15A AC DC (Max)
3. Contact resistance:  $\leq 10 \text{ m}\Omega$
4. Insulation resistance:  $\geq 1000 \text{ M}\Omega$
5. Withstand voltage: 2200V AC/minute
6. Ambient temprature:  $-40^{\circ}\text{C} \sim +105^{\circ}\text{C}$
7. Materials: PBT UL94V-0
8. Matched RoHS criteria
9. PIN materials: phosphor bronze
10. Finish: Gold plated over Ni

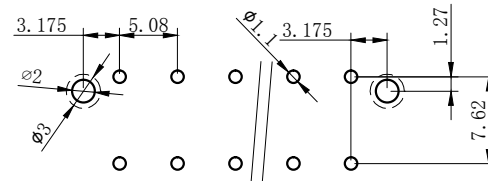
**ORDERING INFORMATION**

DL50804 - XX A - X XX - X X - X - XX  
 1 2 3 4 5 6 7 8 9

1. PART NO.
2. .NO. OF CIRCUIT
3. CONN. TYPE
4. MATERIAL: 0:PA66 V0 1:PA66 V1 2:PA66 V2 3:PA66 V0 750 °C  
4:LCP 5:PBT 6:PA9T 7:9A6T 8:GF PA66
5. COLOR: NA:NATURE RE:RED BR:BROWN  
GY:GREY BK:BLACK YE:YELLOW  
BL:BLUE GR:GREEN PU:PURPLE PI:PINK  
OR:ORANGE TR:TRANSPARENT OT:OTHER
6. CONTACT MATERIAL: P:PHOSPHOR BRONZE B:BRASS
7. FINISH: T:TIN MT:MATT TIN BG/QG:GOLD S:SILVER
8. STYLE: Z:WITHOUT K K:WITH K
9. SERIAL NUMBER: 00.01.02.....



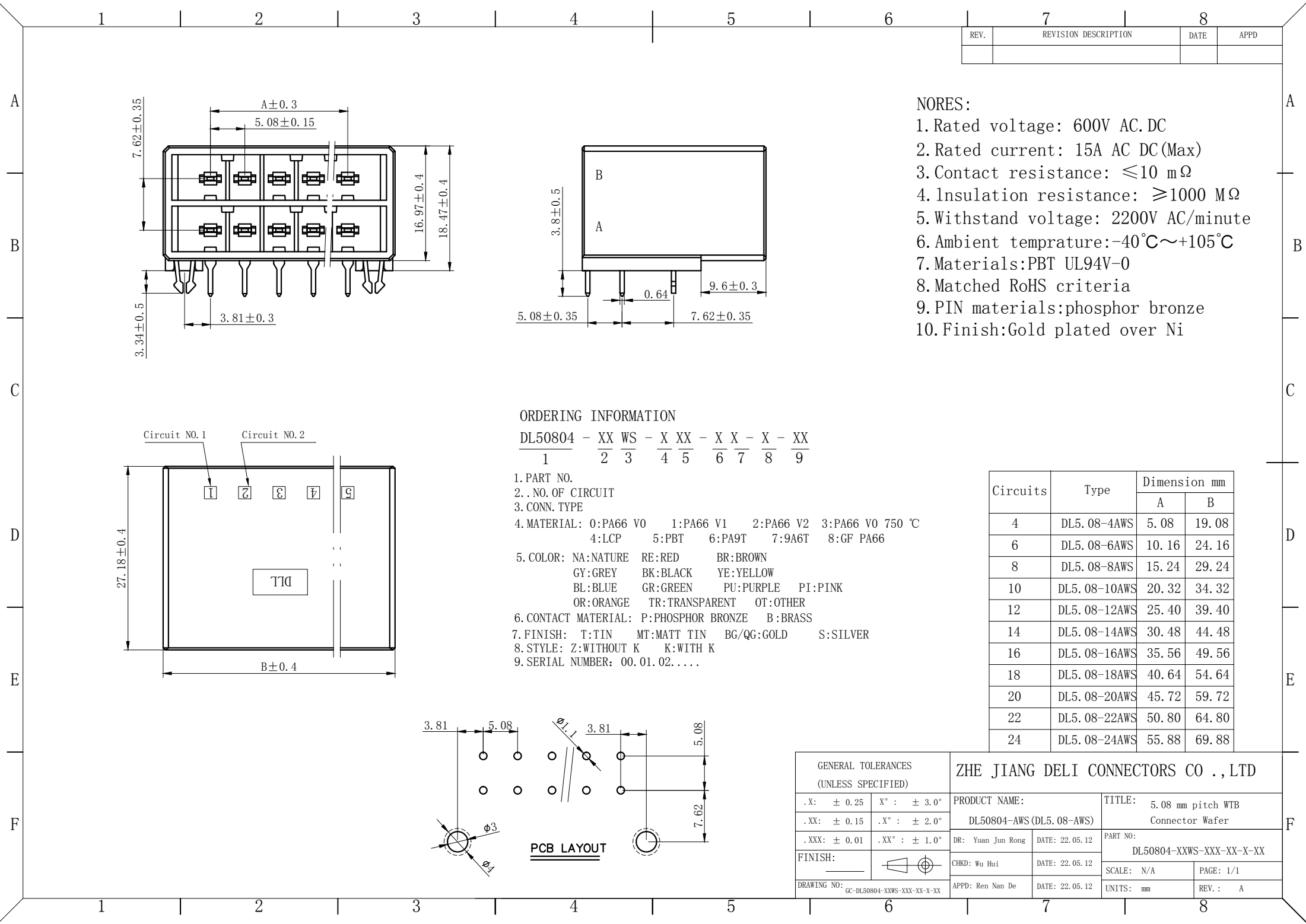
Circuits	Type	Dimension mm	
		A	B
4	DL5.08-4A	5.08	19.08
6	DL5.08-6A	10.16	24.16
8	DL5.08-8A	15.24	29.24
10	DL5.08-10A	20.32	34.32
12	DL5.08-12A	25.40	39.40
14	DL5.08-14A	30.48	44.48
16	DL5.08-16A	35.56	49.56
18	DL5.08-18A	40.64	54.64
20	DL5.08-20A	45.72	59.72
22	DL5.08-22A	50.80	64.80
24	DL5.08-24A	55.88	69.88



PCB LAYOUT

GENERAL TOLERANCES (UNLESS SPECIFIED)		ZHE JIANG DELI CONNECTORS CO., LTD	
.X: ± 0.25	X°: ± 3.0°	PRODUCT NAME: DL50804-A (DL5.08-A)	TITLE: 5.08 mm pitch WTB Connector Wafer
.XX: ± 0.15	.X°: ± 2.0°	DR: Yuan Jun Rong	DATE: 22.05.12
.XXX: ± 0.01	.XX°: ± 1.0°	CHKD: Wu Hui	DATE: 22.05.12
FINISH:		APPD: Ren Nan De	DATE: 22.05.12
DRAWING NO: GC-DL50804-XXA-XXX-XX-X-XX		PART NO: DL50804-XXA-XXX-XX-X-XX	
		SCALE: N/A	PAGE: 1/1
		UNITS: mm	REV.: A

REV.	REVISION DESCRIPTION	DATE	APPD



**NORES:**

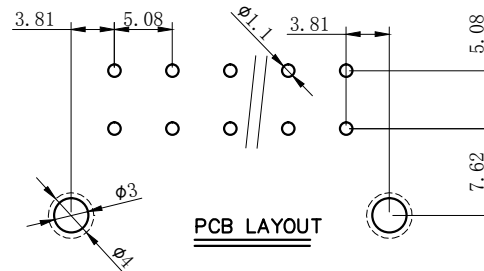
1. Rated voltage: 600V AC.DC
2. Rated current: 15A AC DC(Max)
3. Contact resistance:  $\leq 10 \text{ m}\Omega$
4. Insulation resistance:  $\geq 1000 \text{ M}\Omega$
5. Withstand voltage: 2200V AC/minute
6. Ambient temperature:  $-40^{\circ}\text{C} \sim +105^{\circ}\text{C}$
7. Materials: PBT UL94V-0
8. Matched RoHS criteria
9. PIN materials: phosphor bronze
10. Finish: Gold plated over Ni

**ORDERING INFORMATION**

DL50804 - XX WS - X XX - X X - X - XX  
 1 2 3 4 5 6 7 8 9

1. PART NO.
2. NO. OF CIRCUIT
3. CONN. TYPE
4. MATERIAL: 0:PA66 V0 1:PA66 V1 2:PA66 V2 3:PA66 V0 750 °C  
 4:LCP 5:PBT 6:PA9T 7:9A6T 8:GF PA66
5. COLOR: NA:NATURE RE:RED BR:BROWN  
 GY:GREY BK:BLACK YE:YELLOW  
 BL:BLUE GR:GREEN PU:PURPLE PI:PINK  
 OR:ORANGE TR:TRANSPARENT OT:OTHER
6. CONTACT MATERIAL: P:PHOSPHOR BRONZE B:BRASS
7. FINISH: T:TIN MT:MATT TIN BG/QG:GOLD S:SILVER
8. STYLE: Z:WITHOUT K K:WITH K
9. SERIAL NUMBER: 00.01.02.....

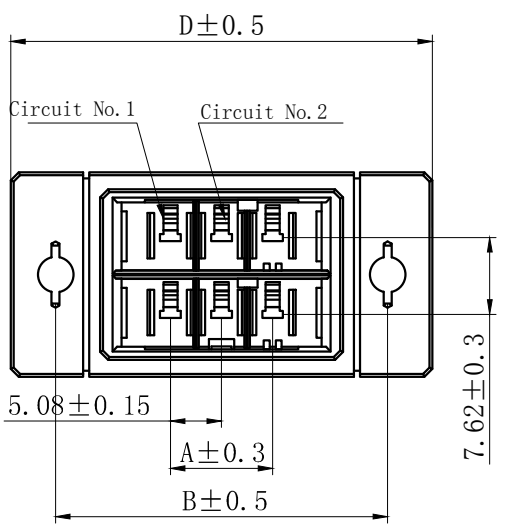
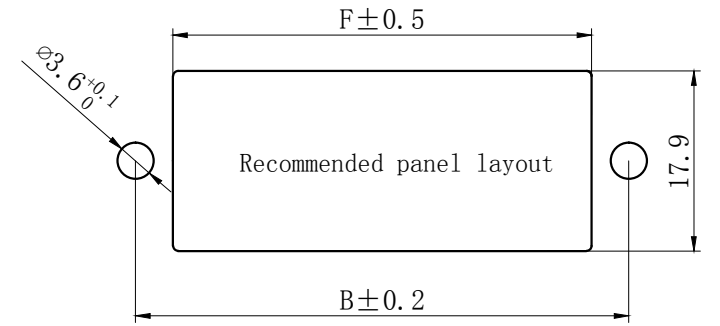
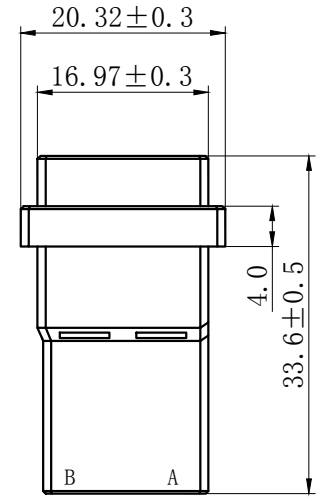
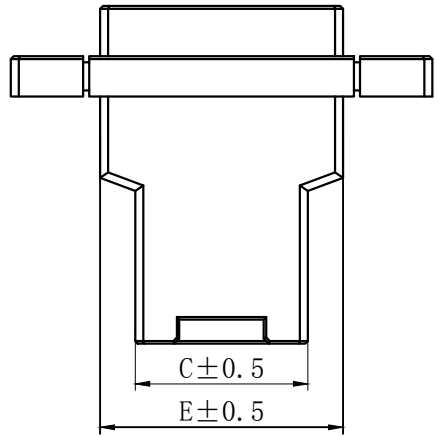
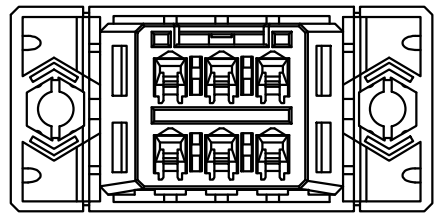
Circuits	Type	Dimension mm	
		A	B
4	DL5.08-4AWS	5.08	19.08
6	DL5.08-6AWS	10.16	24.16
8	DL5.08-8AWS	15.24	29.24
10	DL5.08-10AWS	20.32	34.32
12	DL5.08-12AWS	25.40	39.40
14	DL5.08-14AWS	30.48	44.48
16	DL5.08-16AWS	35.56	49.56
18	DL5.08-18AWS	40.64	54.64
20	DL5.08-20AWS	45.72	59.72
22	DL5.08-22AWS	50.80	64.80
24	DL5.08-24AWS	55.88	69.88



GENERAL TOLERANCES (UNLESS SPECIFIED)		ZHE JIANG DELI CONNECTORS CO., LTD	
.X: $\pm 0.25$	.X°: $\pm 3.0^{\circ}$	PRODUCT NAME: DL50804-AWS (DL5.08-AWS)	TITLE: 5.08 mm pitch WTB Connector Wafer
.XX: $\pm 0.15$	.X°: $\pm 2.0^{\circ}$	DR: Yuan Jun Rong	DATE: 22.05.12
.XXX: $\pm 0.01$	.XX°: $\pm 1.0^{\circ}$	CHKD: Wu Hui	DATE: 22.05.12
DRAWING NO: GC-DL50804-XXWS-XXX-XX-X-XX		APPD: Ren Nan De	DATE: 22.05.12
FINISH:		PART NO: DL50804-XXWS-XXX-XX-X-XX	
SCALE: N/A		PAGE: 1/1	
UNITS: mm		REV.: A	

REV.	REVISION DESCRIPTION	DATE	APPD

- NORES:**
1. Rated voltage: 600V AC.DC
  2. Rated current: 15A AC DC(Max)
  3. Contact resistance:  $\leq 10 \text{ m}\Omega$
  4. Insulation resistance:  $\geq 1000 \text{ min M}\Omega$
  5. Withstand voltage: 2200V AC/minute
  6. Ambient temprature:  $-40^{\circ}\text{C} \sim +105^{\circ}\text{C}$
  7. Materials: PBT UL94V-0
  8. Matched RoHS criteria



**ORDERING INFORMATION**  
DL50804-XX R - X XX-XX  
1 2 3 4 5 6

1. PART NO.
2. NO. OF CIRCUIT
3. CONN. TYPE
4. MATERIAL: 0: PA66 V0 1: PA66 V1 2: PA66 V2 3: PA66 V0 750 °C  
4: LCP 5: PBT 6:PA9T 7:9A6T 8:GF PA66
5. COLOR: NA:NATURE RE:RED BR:BROWN  
GY:GREY BK:BLACK YE:YELLOW  
BL:BLUE GR:GREEN PU:PURPLE PI:PINK  
OR:ORANGE TR:TRANSPARENT OT:OTHER
6. SERIAL NUMBER:00.01.02

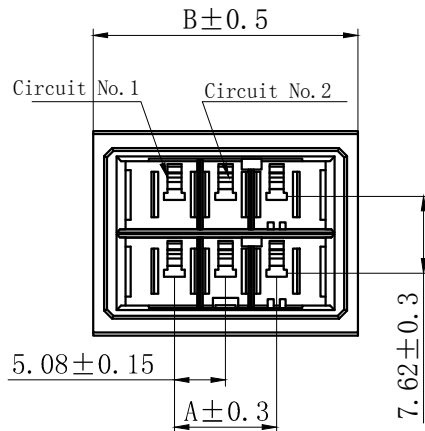
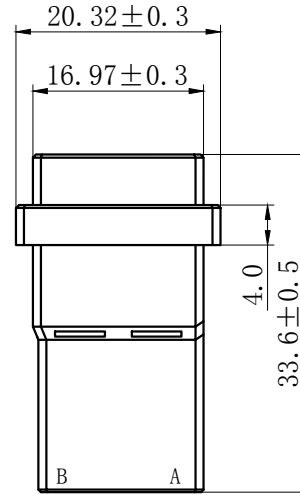
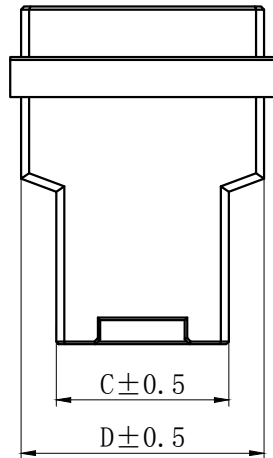
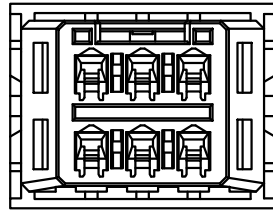
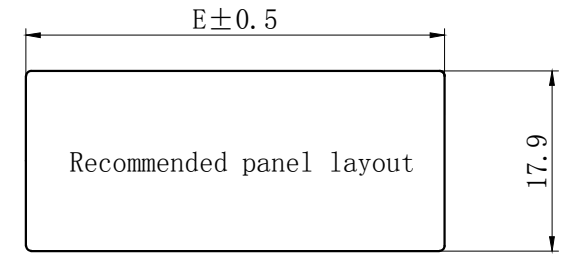
Circuits	Type	Dimension mm					
		A	B	C	D	E	F
2X2	DL5.08-4R	5.08	28.00	12.08	36.83	19.18	20.00
2X3	DL5.08-6R	10.16	33.00	17.16	41.91	24.26	25.00
2X4	DL5.08-8R	15.24	38.00	22.24	46.99	29.34	30.00
2X5	DL5.08-10R	20.32	43.00	27.32	52.07	34.42	35.00
2X6	DL5.08-12R	25.40	49.00	32.40	57.15	39.50	41.00
2X7	DL5.08-14R	30.48	53.00	37.48	62.23	44.58	46.00
2X8	DL5.08-16R	35.56	58.00	42.56	67.31	49.66	51.00
2X9	DL5.08-18R	40.64	63.00	47.64	72.39	54.74	56.00
2X10	DL5.08-20R	45.72	70.00	52.72	77.47	59.82	61.00
2X11	DL5.08-22R	50.80	73.00	57.80	82.55	64.90	66.00
2X12	DL5.08-24R	55.88	78.00	62.88	87.63	69.98	71.00

GENERAL TOLERANCES (UNLESS SPECIFIED)		ZHEJIANG DELI CONNECTORS CO.,LTD	
.X: ± 0.25	X°: ± 3.0°	PRODUCT NAME: DL50804-R(DL5.08-R)	
.XX: ± 0.15	.X°: ± 2.0°	TITLE: 5.08 mm Pitch Wire To Wire Housing	
.XXX: ± 0.01	.XX°: ± 1.0°	DR: Yuan Jun Rong	DATE: :22.5.13
FINISH: _____		CHKD:Wu Hui	DATE: :22.5.13
DRAWING NO: GC-DL50804-XXR-XXX-XX	APPD:Ren An De	DATE: :22.5.13	PART NO: DL50804-XXR-XXX-XX
		SCALE: N/A	PAGE: 1/1
		UNITS: mm	REV.: A

REV.	REVISION DESCRIPTION	DATE	APPD

**NORES:**

1. Rated voltage: 600V AC.DC
2. Rated current: 15A AC DC(Max)
3. Contact resistance:  $\leq 10 \text{ m}\Omega$
4. Insulation resistance:  $\geq 1000 \text{ min M}\Omega$
5. Withstand voltage: 2200V AC/minute
6. Ambient temprature:  $-40^{\circ}\text{C} \sim +105^{\circ}\text{C}$
7. Materials: PBT UL94V-0
8. Matched RoHS criteria



**ORDERING INFORMATION**

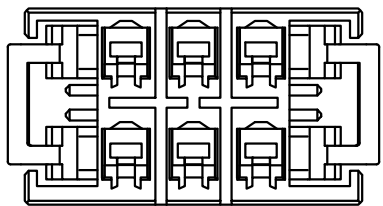
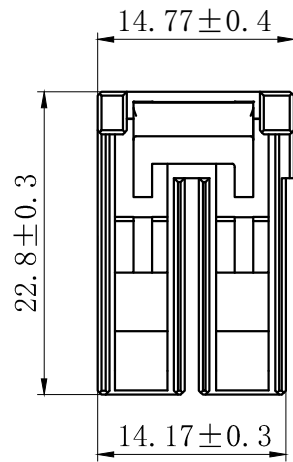
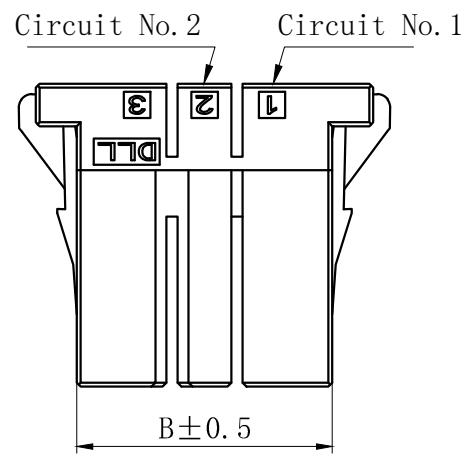
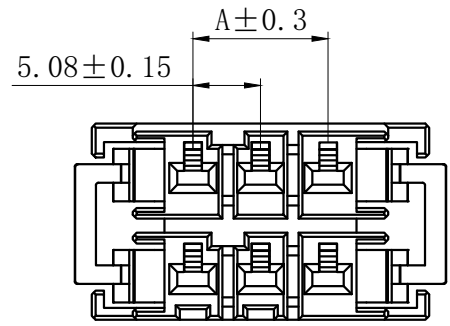
DL50804-XX RF- X XX-XX  
 1 2 3 4 5 6

1. PART NO.
2. NO. OF CIRCUIT
3. CONN. TYPE
4. MATERIAL: 0: PA66 V0 1: PA66 V1 2: PA66 V2 3: PA66 V0 750 °C  
 4: LCP 5: PBT 6: PA9T 7: 9A6T 8: GF PA66
5. COLOR: NA: NATURE RE: RED BR: BROWN  
 GY: GREY BK: BLACK YE: YELLOW  
 BL: BLUE GR: GREEN PU: PURPLE PI: PINK  
 OR: ORANGE TR: TRANSPARENT OT: OTHER
6. SERIAL NUMBER: 00.01.02

Circuits	Type	Dimension mm				
		A	B	C	D	E
2X2	DL5.08-4RF	5.08	21.84	12.08	19.18	20.00
2X3	DL5.08-6RF	10.16	26.92	17.16	24.26	25.00
2X4	DL5.08-8RF	15.24	32.00	22.24	29.34	30.00
2X5	DL5.08-10RF	20.32	37.08	27.32	34.42	35.00
2X6	DL5.08-12RF	25.40	42.16	32.40	39.50	41.00
2X7	DL5.08-14RF	30.48	47.24	37.48	44.58	46.00
2X8	DL5.08-16RF	35.56	52.32	42.56	49.66	51.00
2X9	DL5.08-18RF	40.64	57.40	47.64	54.74	56.00
2X10	DL5.08-20RF	45.72	62.48	52.72	59.82	61.00
2X11	DL5.08-22RF	50.80	67.56	57.80	64.90	66.00
2X12	DL5.08-24RF	55.88	72.64	62.88	69.98	71.00

GENERAL TOLERANCES (UNLESS SPECIFIED)		ZHEJIANG DELI CONNECTORS CO., LTD	
.X: ± 0.25	X°: ± 3.0°	PRODUCT NAME: DL50804-RF (DL5.08-RF)	TITLE: 5.08 mm Pitch Wire To Wire Housing
.XX: ± 0.15	.X°: ± 2.0°	DR: Yuan Jun Rong	DATE: :22.5.13
.XXX: ± 0.01	.XX°: ± 1.0°	CHKD: Wu Hui	DATE: :22.5.13
FINISH:		APPD: Ren An De	DATE: :22.5.13
DRAWING NO: GC-DL50804-XXRF-XXX-XX		UNITS: mm	REV.: A
		PART NO: DL50804-XXRF-XXX-XX	SCALE: N/A
			PAGE: 1/1

REV.	REVISION DESCRIPTION	DATE	APPD



Circuits	Type	Dimension mm	
		A	B
2X2	DL5.08-4Y	5.08	14.16
2X3	DL5.08-6Y	10.16	19.24
2X4	DL5.08-8Y	15.24	24.32
2X5	DL5.08-10Y	20.32	29.40
2X6	DL5.08-12Y	25.40	34.48
2X7	DL5.08-14Y	30.48	39.56
2X8	DL5.08-16Y	35.56	44.64
2X9	DL5.08-18Y	40.64	49.72
2X10	DL5.08-20Y	45.72	54.80
2X11	DL5.08-22Y	50.80	59.88
2X12	DL5.08-24Y	55.88	64.96

**NORES:**

- Rated voltage: 600V AC.DC
- Rated current: 15A AC DC(Max)
- Contact resistance: ≤10 mΩ
- Insulation resistance: ≥1000 min MΩ
- Withstand voltage: 2200V AC/minute
- Ambient temprature: -40°C~+105°C
- Materials:PBT UL94V-0
- Matched RoHS criteria

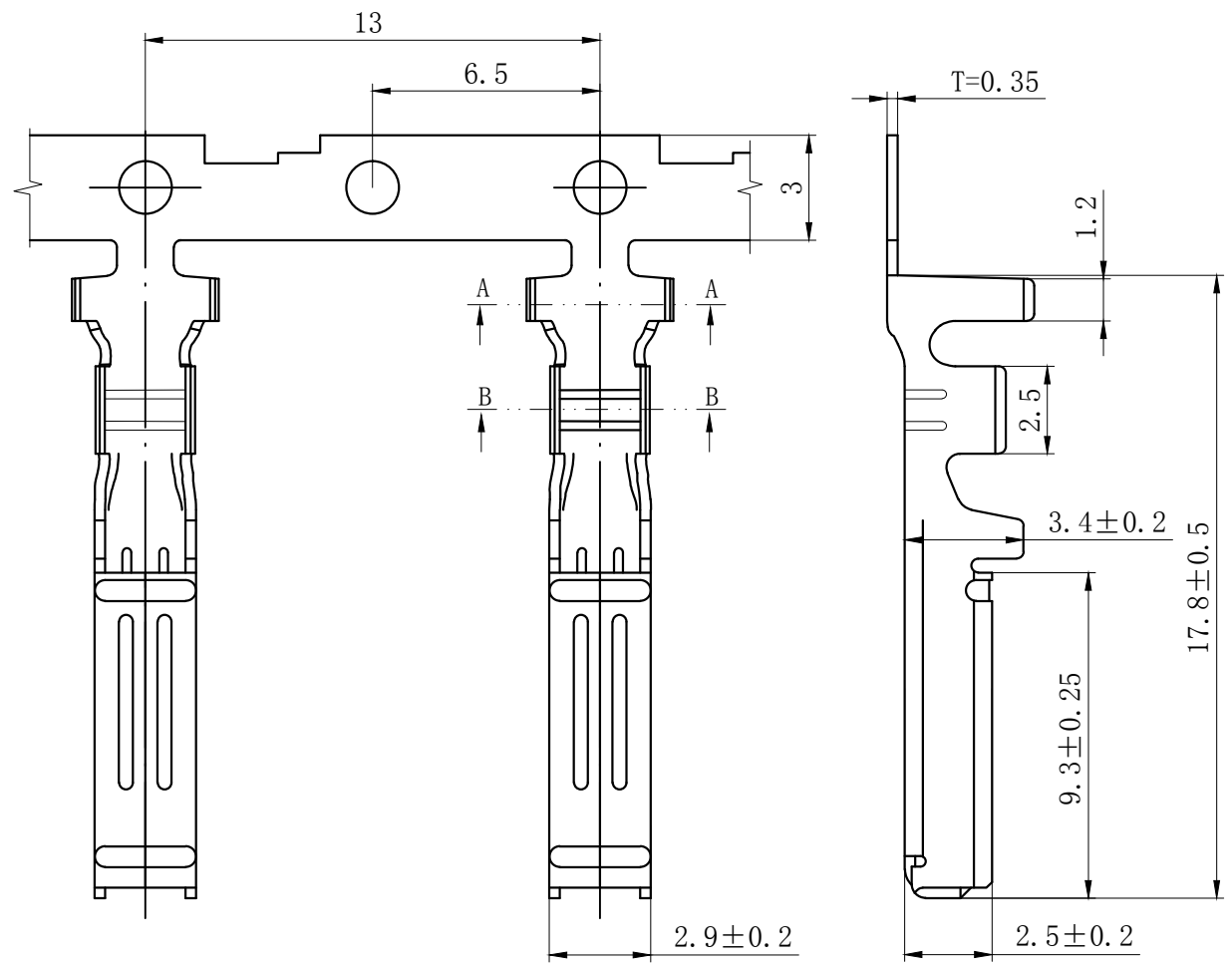
**ORDERING INFORMATION**

DL50804 - XX Y - X XX -XX  
 1 2 3 4 5 6

- PART NO.
- ..NO. OF CIRCUIT
- CONN. TYPE
- MATERIAL: 0: PA66 V0 1: PA66 V1 2: PA66 V2 3: PA66 V0 750 °C  
4: LCP 5: PBT 6:PA9T 7:9A6T 8:GF PA66
- COLOR: NA:NATURE RE:RED BR:BROWN  
GY:GREY BK:BLACK YE:YELLOW  
BL:BLUE GR:GREEN PU:PURPLE PI:PINK  
OR:ORANGE TR:TRANSPARENT OT:OTHER
- SERIAL NUMBER :00.01.02...

GENERAL TOLERANCES (UNLESS SPECIFIED)		ZHEJIANG DELI CONNECTORS CO.,LTD	
.X: ± 0.25	X°: ± 3.0°	PRODUCT NAME: DL50804-Y(DL5.08-Y)	TITLE: 5.08 mm Pitch Connector
.XX: ± 0.15	.X°: ± 2.0°	DR: Chen QuanLong	DATE.: 22.5.13
.XXX: ± 0.01	.XX°: ± 1.0°	DATE.: 22.5.13	PART NO: DL50804-XXY-XXX-XX
FINISH: 	CHKD:Wu Hui	DATE.: 22.5.13	SCALE: N/A
DRAWING NO: GC-DL50804-XXY-XXX-XX	APPD:Ren An De	DATE.: 22.5.13	PAGE: 1/1
		UNITS: mm	REV.: A

REV.	REVISION DESCRIPTION	DATE	APPD



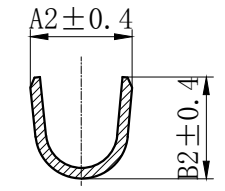
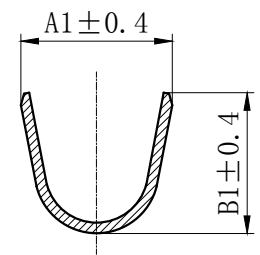
**NORES:**

- Rated voltage: 250V AC.DC
- Rated current: 15A AC DC (Max)
- Contact resistance: ≤10 mΩ
- Insulation resistance: ≥1000 mΩ
- Withstand voltage: 1500V AC/minute
- Ambient temperature: -40°C~105°C
- Materials: Phosphor bronze
- Matched RoHS criteria
- Finish: Gold plated over Ni

**ORDERING INFORMATION**

DL38101 - T - X - X - X - XX  
 1 2 3 4 5 6

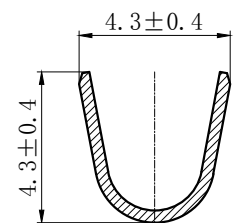
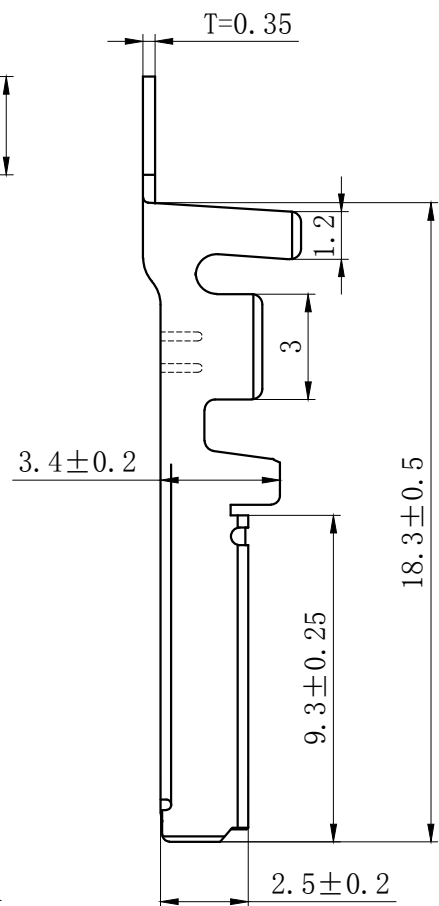
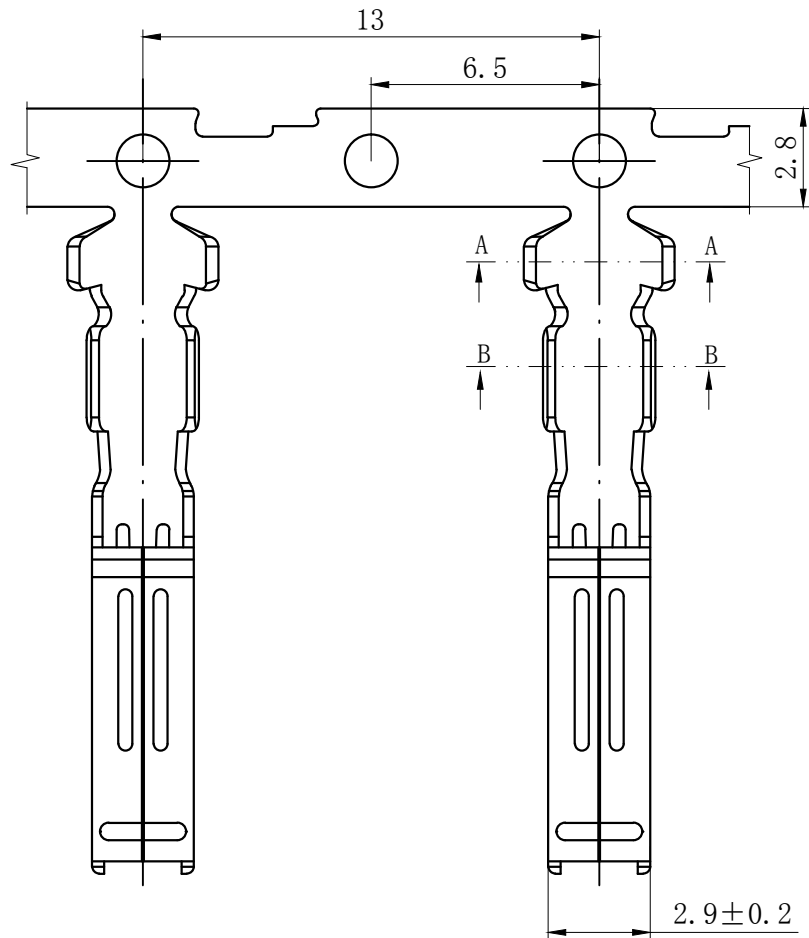
- PART NO.
- TERMINAL CODE
- MATERIAL TYPE: 1: PHOSPHOR BRONZE 2: BRASS 3: IRON 4: STAINLESS STEEL 5: OTHER
- TECHNICS: 0: UNPLATED 1: FIRST PLATING 2: POST PLATING 3: OTHER
- FINISH: 1: TIN-PLATED 2: MATTE PLATED 3: NICKEL PLATED 4: PICKLING 5: SILVER PLATED 6: GOLD PLATED 7: GALVANIZED 8: OTHER
- SERIAL NUMBER: 00.01.02.....



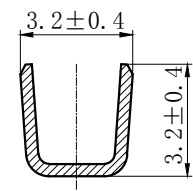
TYPE	Dimension mm				适用线规 AWG#
	A1	B1	A2	B2	
DL3810-T-D	3.8	3.8	2.3	2.3	24-20
DL3810-T	4.3	4.0	2.9	2.9	20-16

GENERAL TOLERANCES (UNLESS SPECIFIED)		ZHE JIANG DELI CONNECTORS CO., LTD			
.X: ± 0.25	X°: ± 3.0°	PRODUCT NAME: DL38101-T (DL3810-T)		TITLE: 3.81mm Pitch Crimp Terminal	
.XX: ± 0.15	.X°: ± 2.0°	DR: Chen Quan Long		DATE: .21.12.25	
.XXX: ± 0.01	.XX°: ± 1.0°	CHKD: Wu Hui		DATE: .21.12.25	
FINISH: _____		APPD: Ren An De		DATE: .21.12.25	
DRAWING NO: GC-DL38101-T-X-X-X-XX		UNITS: mm		PAGE: 1/2	
		REVISIONS:		REV.: A	

REV.	REVISION DESCRIPTION	DATE	APPD



SECTION A-A



SECTION B-B

**NORES:**

1. Rated voltage: 250V AC.DC
2. Rated current: 15A AC DC (MAX)
3. Contact resistance:  $\leq 10 \text{ m}\Omega$
4. Insulation resistance:  $\geq 1000 \text{ m}\Omega$
5. Withstand voltage: 1500V AC/minute
6. Ambient temperature:  $-40^{\circ}\text{C} \sim 105^{\circ}\text{C}$
7. Materials: Phosphor bronze
8. Matched RoHS criteria
9. Finish: Gold plated over Ni
10. Applicable Wire Sizes: AWG#16-14

**ORDERING INFORMATION**

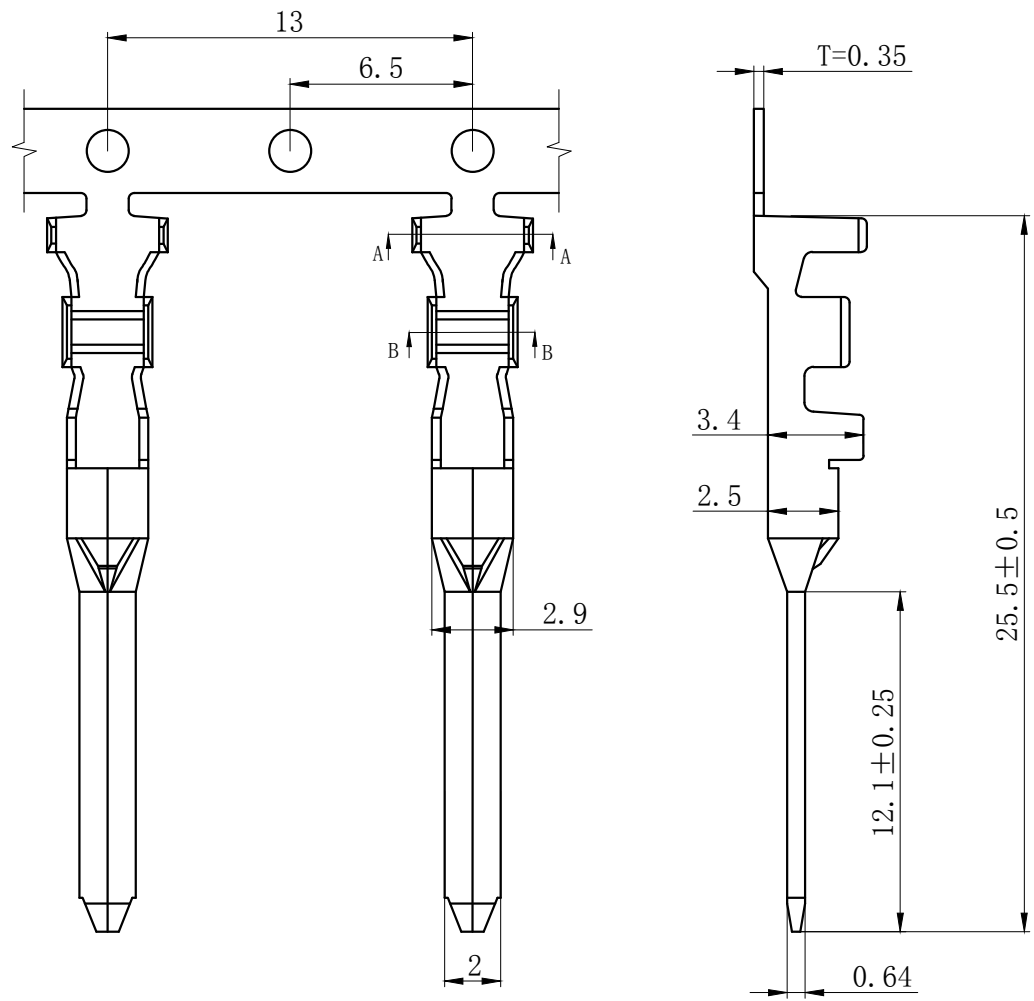
DL38101 - T - X - X - X - XX  
 1 2 3 4 5 6

1. PART NO.
2. TERMINAL CODE
3. MATERIAL TYPE: 1: PHOSPHOR BRONZE 2: BRASS 3: IRON  
4: STAINLESS STEEL 5: OTHER
4. TECHNICS: 0: UNPLATED 1: FIRST PLATING 2: POST PLATING  
3: OTHER
5. FINISH: 1: TIN-PLATED 2: MATTE PLATED 3: NICKEL PLATED  
4: PICKLING 5: SILVER PLATED 6: GOLD PLATED  
7: GALVANIZED 8: OTHER
6. SERIAL NUMBER: 00.01.02.....

GENERAL TOLERANCES (UNLESS SPECIFIED)		ZHE JIANG DELI CONNECTORS CO., LTD	
.X: $\pm 0.25$	X°: $\pm 3.0^{\circ}$	PRODUCT NAME: DL38101-T-G (DL3810-T-G)	TITLE: 3.81mm Pitch Crimp Terminal
.XX: $\pm 0.15$	.X°: $\pm 2.0^{\circ}$	DR: Chen Quan Long	DATE: .21.12.25
.XXX: $\pm 0.01$	.XX°: $\pm 1.0^{\circ}$	CHKD: Wu Hui	DATE: .21.12.25
DRAWING NO: GC-DL38101-T-X-X-X-XX		APPD: Ren An De	DATE: .21.12.25
		SCALE: N/A	PAGE: 2/2
		UNITS: mm	REV.: A



REV.	REVISION DESCRIPTION	DATE	APPD



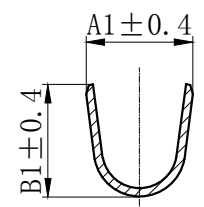
- NORES:**
1. Rated voltage: 250V AC.DC
  2. Rated current: 15A AC DC (Max)
  3. Contact resistance:  $\leq 10 \text{ m}\Omega$
  4. Insulation resistance:  $\geq 1000 \text{ m}\Omega$
  5. Withstand voltage: 1500V AC/minute
  6. Ambient temprature:  $-40^{\circ}\text{C} \sim 105^{\circ}\text{C}$
  7. Materials: Phosphor bronze
  8. Matched RoHS criteria
  9. Finish: Gold plated over Ni

**ORDERING INFORMATION**

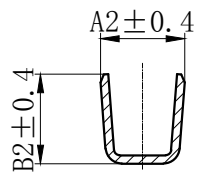
DLXXXX - XX - X - X - X - XX  
 1 2 3 4 5 6

1. PART NO.
2. TERMINAL CODE
3. MATERIAL TYPE: 1: PHOSPJOR BRONZE 2: BRASS 3: IRON  
4: STAINLESS STEEL 5: OTHER
4. TECHNICS: 0: UNPLATED 1: FIRST PLATING 2: POST PLATING  
3: OTHER
5. FINISH: 1: TIN-PLATED 2: MATTE PLATED 3: NICKEL PLATED  
4: PICKLING 5: SILVER PLATED 6: GOLD PLATED  
7: GALVANIZED 8: OTHER
6. SERIAL NUMBER: 00.01.02.....

TYPE	Dimension mm				适用线规
	A1	B1	A2	B2	AWG#
DL3810-RT-D	3.7	3.8	2.3	2.3	24-20
DL3810-RT	3.8	4.0	3.0	3.2	20-16
DL3810-RT-G	4.3	4.3	3.2	3.2	16-14



**SECTION A-A**



**SECTION B-B**

GENERAL TOLERANCES (UNLESS SPECIFIED)		ZHE JIANG DELI CONNECTORS CO., LTD	
.X: ± 0.25	X°: ± 3.0°	PRODUCT NAME:	TITLE:
.XX: ± 0.15	.X°: ± 2.0°	DL38101 (DL3810)-RT	3.81mm Pitch Wire To Wire Crimp Terminal
.XXX: ± 0.01	.XX°: ± 1.0°	DR: Chen Quan Long	DATE: .21.12.25
FINISH:		CHKD: Wu Hui	DATE: .21.12.25
DRAWING NO:	GC-DL38101-RT-X-X-X-XX	APPD: Ren An De	DATE: .21.12.25
		PART NO:	DL38101-RT-X-X-X-XX
		SCALE:	N/A
		PAGE:	1/1
		UNITS:	mm
		REV.:	A