



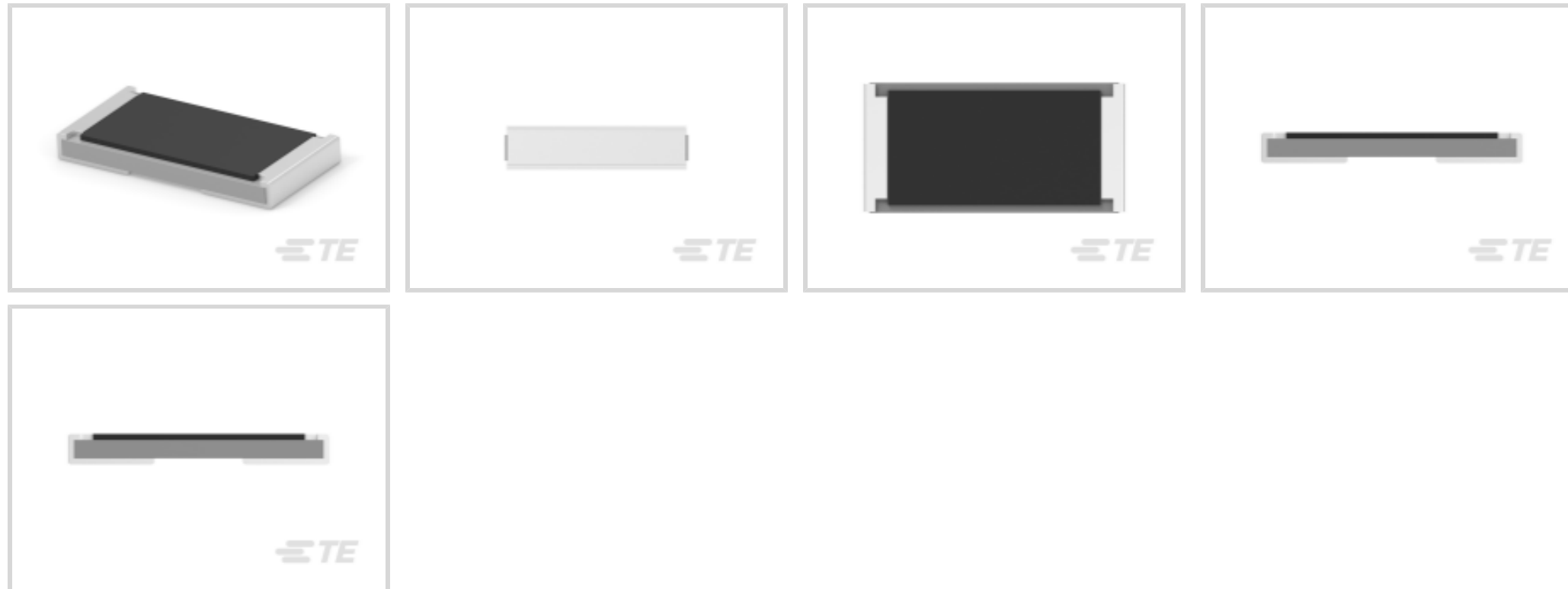
CGS | CGS RLP73

TE Internal #: 3-2176058-4

.24 Ω, Thick Film, Current Sensing Resistor, 5 %, 2 Termination, 2512, Taped & Reeled, 2 W, ±200 ppm/°C, Solder, Height .029 in [0.74 mm], CGS RLP73

[View on TE.com >](#)

Passive Components > Resistors > Surface Mount Resistors > Thick Film Resistor: Current Sense



Resistor Type: **Current Sensing Resistor**

Number of Terminations: 2

Package Size Code: 2512

Packaging Method: **Taped & Reeled**

Passive Component Tolerance: 5 %

[All Thick Film Resistor: Current Sense \(177\)](#)

Features

Product Type Features

| | |
|-------------------|--------------------------|
| Resistor Type | Current Sensing Resistor |
| Package Size Code | 2512 |
| Element Type | Thick Film |

Configuration Features

| | |
|---------------------|---|
| Number of Resistors | 1 |
|---------------------|---|

Electrical Characteristics

| | |
|-----------------------------|-----------|
| Passive Component Tolerance | 5 % |
| Resistance Class | Up to 1kΩ |
| Resistance Value | .24 Ω |
| Power Rating | 2 W |

Termination Features

| | |
|------------------------|---|
| Number of Terminations | 2 |
|------------------------|---|



Surface Mount Resistor Termination Type Solder

Dimensions

| | |
|----------------|------------------|
| Product Height | .74 mm[.029 in] |
| Product Length | 6.35 mm[.25 in] |
| Product Width | 3.15 mm[.124 in] |

Usage Conditions

| | |
|-------------------------|-------------|
| Temperature Coefficient | ±200 ppm/°C |
|-------------------------|-------------|

Packaging Features

| | |
|------------------|----------------|
| Packaging Method | Taped & Reeled |
|------------------|----------------|

Product Compliance

[For compliance documentation, visit the product page on TE.com>](#)

| | |
|---|---|
| EU RoHS Directive 2011/65/EU | Compliant with Exemptions |
| EU ELV Directive 2000/53/EC | Compliant with Exemptions |
| China RoHS 2 Directive MIIT Order No 32, 2016 | Restricted Materials Above Threshold |
| EU REACH Regulation (EC) No. 1907/2006 | Current ECHA Candidate List: JUNE 2023 (235) Candidate List Declared Against: JUNE 2023 (235) Does not contain REACH SVHC |
| Halogen Content | Low Halogen - Br, Cl, F, I < 900 ppm per homogenous material. Also BFR/CFR/PVC Free |
| Solder Process Capability | Reflow solder capable to 260°C |

Product Compliance Disclaimer

This information is provided based on reasonable inquiry of our suppliers and represents our current actual knowledge based on the information they provided. This information is subject to change. The part numbers that TE has identified as EU RoHS compliant have a maximum concentration of 0.1% by weight in homogenous materials for lead, hexavalent chromium, mercury, PBB, PBDE, DBP, BBP, DEHP, DIBP, and 0.01% for cadmium, or qualify for an exemption to these limits as defined in the Annexes of Directive 2011/65/EU (RoHS2). Finished electrical and electronic equipment products will be CE marked as required by Directive 2011/65/EU. Components may not be CE marked. Additionally, the part numbers that TE has identified as EU ELV compliant have a maximum concentration of 0.1% by weight in homogenous materials for lead, hexavalent chromium, and mercury, and 0.01% for cadmium, or qualify for an exemption to these limits as defined in the Annexes of Directive 2000/53/EC (ELV). Regarding the REACH Regulation, the information TE provides on SVHC in articles for this part number is based on the latest European Chemicals Agency (ECHA) 'Guidance on requirements for substances in articles' posted at this URL: <https://echa.europa.eu/guidance-documents/guidance-on-reach>

Compatible Parts



TE Part # CAT-C339-R529A
Thick Film Resistor: Current Sense



TE Part # 2176050-8
RLP73N 1E R10 5% 5K RL

Also in the Series | CGS RLP73



Surface Mount Resistors(401)

Customers Also Bought



TE Part #1-66360-4
III+ SKT,18-14,30AU/FL,LP



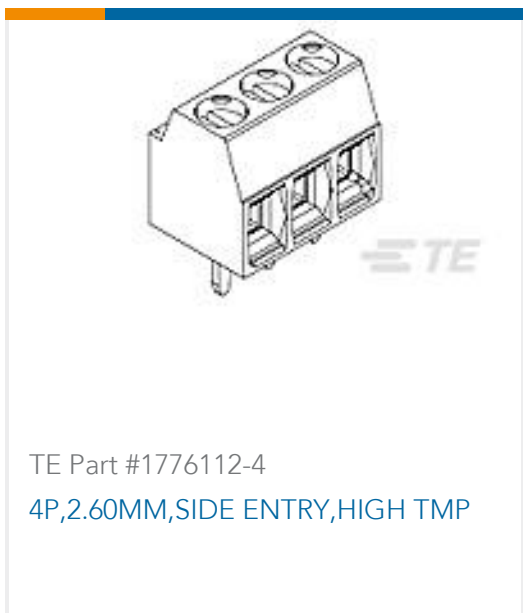
TE Part #2-2176058-7
Thick Film Resistor: Current Sense



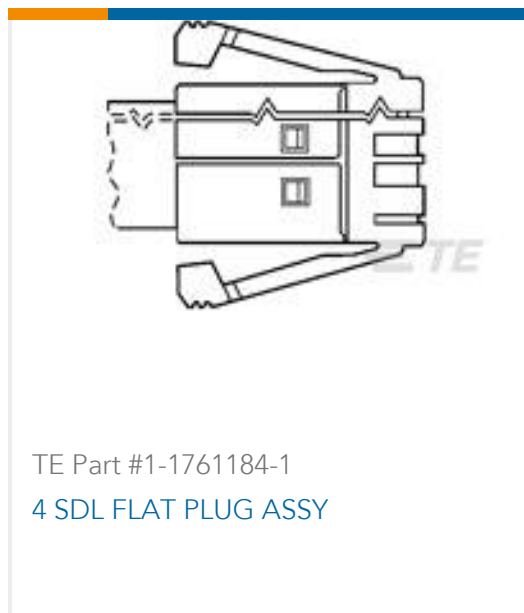
TE Part #3-2176058-3
RLP73K 3A R22 5% 2K RL



TE Part #2-520403-2
ULTRA-FAST 187 ASY REC 22-18 TPBR



TE Part #1776112-4
4P,2.60MM,SIDE ENTRY,HIGH TMP



TE Part #1-1761184-1
4 SDL FLAT PLUG ASSY



TE Part #2-2176392-2
RQ 1206 221K 0.1% 10PPM 5K RL



TE Part #2-329944-6
TWIN THREADED PLUG



TE Part #2-2176422-3
TLRP 2512 3.0W R020 1% 25PPM 4K RL



Documents

Product Drawings

[RLP73K 3A R24 5% 2K RL](#)

English

CAD Files

[3D PDF](#)

3D

Customer View Model

[ENG_CVM_CVM_3-2176058-4_BA.2d_dxf.zip](#)

English

Customer View Model

[ENG_CVM_CVM_3-2176058-4_BA.3d_igs.zip](#)

English

Customer View Model

[ENG_CVM_CVM_3-2176058-4_BA.3d_stp.zip](#)

English

By downloading the CAD file I accept and agree to the [Terms and Conditions](#) of use.

Datasheets & Catalog Pages

[SMD Low Ohmic Current Sense Resistors - Type RL73 Series](#)

English