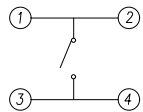
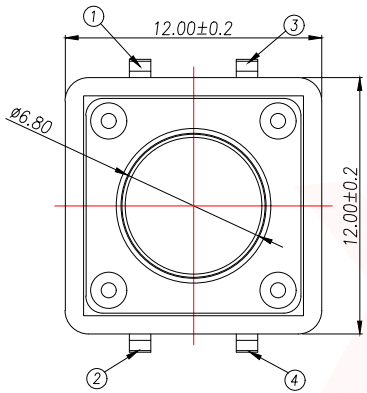
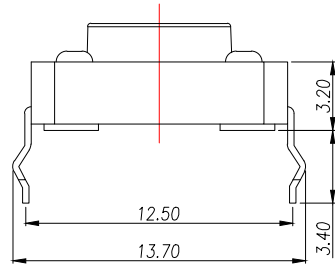
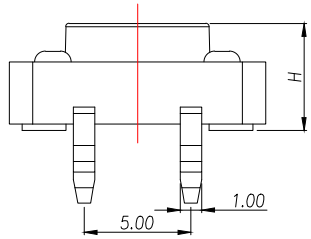
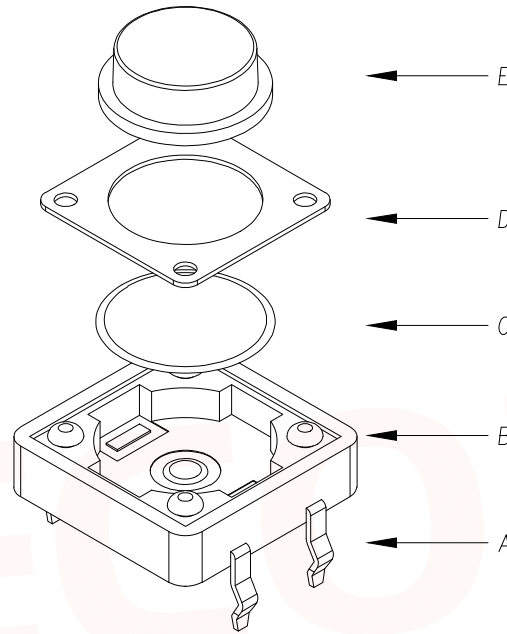


REV.	Q'TY	ECN. NO.	APR.	DATE



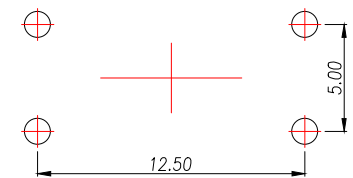
CIRCUIT DIAGRAM



The Main Thchnology Performance

Rate voltage,current	50mA DC12V
Contact resistance	≤100mΩ
Operating force	±30gf
Travel	0.35±0.10mm
Insulated resistance	≥100MΩ
Dielectric strength	≥250VAC/1min

E	按钮	PPA	1	黑色
D	盖板	铁盖板	1	镀铜
C	弹片	不锈钢	1	镀银
B	本体	PPA	1	黑色
A	卡件	黄铜	1	镀银
ITEM	DESCRIPTION	MATERIAL	QTY	FINSH/COLOR



PCB.WELDING DRAWING

T S O 1 5 - C B W 1

力度: F: 250G E: 180G  
 高度: H4.3 H4.5  
 .....

H	H	H	H	H
4.3	6.5	9.5	12.5	15.5
4.5	7.0	10.0	13.0	16.0
4.8	7.5	10.5	13.5	16.5
5.0	8.0	11.0	14.0	17.0
5.5	8.5	11.5	14.5	17.5
6.0	9.0	12.0	15.0	18.0

DIMENSION IN mm	
TOLERANCE UNLESS OTHERWISE SPECIFIED	
.X±0.35	X.*± 5*
.XX±0.25	.X*± 3*
.XXX±0.15	.XX*± 1*

厦门市辛译精密电子有限公司  
 Xiamen XinYi Xyecomm Electronics Co.,Ltd

APR. Alex	TITLE: 12x12 DIP TACT SWITCH
CHK. Jack	DWG NO. TS015-CBW1FHX
DRA. Can	PROJ.  CUSTOMER DRAWING
SIZE A4	SCALE 1:1 SHEET 1/1 REV. A