

PC、POC系列

成品訂購碼

PC 6 01 □ □ - S

① ② ③ ④ ⑤ ⑥

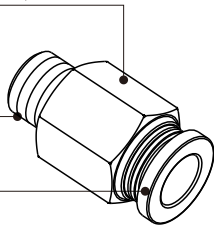
| ① 規格代號 | ② 接管口徑 | ③ 連接螺紋 | ④ 顏色代號 | ⑤ 牙型代號 | ⑥ 材質代號 | |
|--------------|--|--|---|------------------|---------|-----------|
| PC: 螺紋直通 | 4: $\Phi 4$ mm 6: $\Phi 6$ mm 8: $\Phi 8$ mm 10: $\Phi 10$ mm 12: $\Phi 12$ mm | 連接螺紋 M5: M5X0.8 01: PT1/8 02: PT1/4 03: PT3/8 04: PT1/2 | 適用接管口徑 顏色代號 顏色定義 空白: 灰色 D: 黑色 | 接口: 灰色 接口: 黑色 | 空白: PT牙 | S: 不銹鋼304 |

產品規格

| 使用壓力範圍 | 0~10kgf/cm ² (0~1.0MPa) |
|------------|------------------------------------|
| 負壓 | -750mmHg(10Torr) |
| 保證耐壓力 | 1.5MPa |
| 使用溫度範圍(°C) | -20~70 |
| 適用軟管 | 尼龍軟管或PU管 |
| 顏色 | 灰色/黑色 |

產品特性

- 1、本體材質為不銹鋼304，且所有材料均不含銅，
可用于禁銅環境；
- 2、螺紋部分塗有密封劑，M5公制
螺紋附密封墊片，確保螺紋連
接部份無泄漏；
- 3、塑膠接口部份顏色有灰色與黑色可選，
方便您整體配管需求。

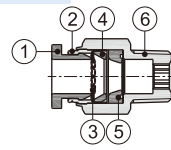


接口端螺紋與插管端內徑配置表

| 產品系列 | 螺紋規格 | 插管口徑 | | | | |
|------|-------|----------|----------|----------|-----------|-----------|
| | | $\Phi 4$ | $\Phi 6$ | $\Phi 8$ | $\Phi 10$ | $\Phi 12$ |
| PC | M5 | ● | ● | | | |
| | PT1/8 | ● | ● | ● | ● | ● |
| | PT1/4 | ● | ● | ● | ● | ● |
| | PT3/8 | | ● | ● | ● | ● |
| | PT1/2 | | ● | ● | ● | ● |
| POC | M5 | ● | ● | | | |
| | PT1/8 | ● | ● | ● | ● | ● |
| | PT1/4 | ● | ● | ● | ● | ● |
| | PT3/8 | | ● | ● | ● | ● |
| | PT1/2 | | ● | ● | ● | ● |

內部結構

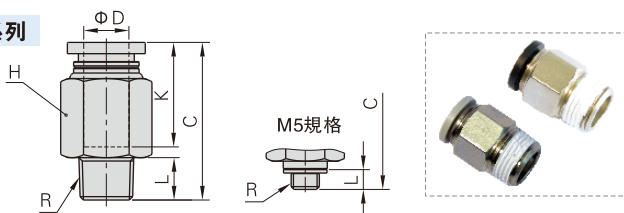
PC系列



| 序號 | 名稱 | 材質 | 序號 | 名稱 | 材質 |
|----|------|-----|----|------|--------|
| 1 | 塑膠接口 | POM | 4 | 定位座 | POM |
| 2 | 定位環 | 鋁合金 | 5 | 異型O令 | NBR |
| 3 | 彈簧墊片 | 不銹鋼 | 6 | 本體 | 不銹鋼304 |

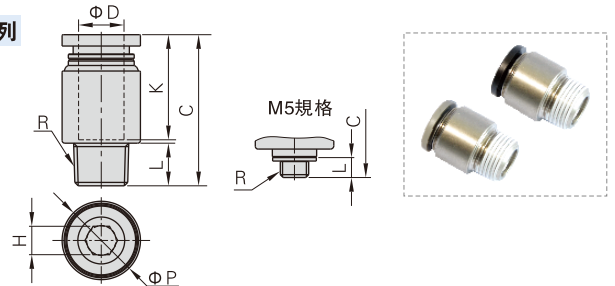
外部規格

PC系列



| 型號符號 | ΦD | R | L | C | K | 對邊H | 重量(g) |
|----------|----------|--------|------|------|------|-----|-------|
| PC4M5-S | 4 | M5×0.8 | 3.5 | 19.5 | 14 | 9 | 6 |
| PC401-S | | PT1/8 | 7.5 | 19.5 | 14 | 10 | 6.5 |
| PC402-S | | PT1/4 | 10 | 19.5 | 14 | 14 | 12.5 |
| PC6M5-S | 6 | M5×0.8 | 3.5 | 22.5 | 16.5 | 12 | 8 |
| PC601-S | | PT1/8 | 7.5 | 22.0 | 18.5 | 12 | 7 |
| PC602-S | | PT1/4 | 10 | 24.5 | 18.5 | 14 | 14.5 |
| PC603-S | | PT3/8 | 11 | 22.5 | 18.5 | 17 | 22 |
| PC604-S | PT1/2 | 14 | 26.0 | 18.5 | 21 | 42 | |
| PC801-S | 8 | PT1/8 | 7.5 | 28 | 18.5 | 14 | 12.5 |
| PC802-S | | PT1/4 | 10 | 27 | 18.5 | 14 | 12 |
| PC803-S | | PT3/8 | 11 | 23.5 | 18.5 | 17 | 19.5 |
| PC804-S | | PT1/2 | 14 | 27 | 18.5 | 21 | 40 |
| PC1001-S | 10 | PT1/8 | 7.5 | 30 | 21 | 17 | 19 |
| PC1002-S | | PT1/4 | 10 | 32.5 | 21 | 17 | 22 |
| PC1003-S | | PT3/8 | 11 | 28 | 21 | 17 | 19 |
| PC1004-S | PT1/2 | 14 | 26.5 | 21 | 21 | 33 | |
| PC1201-S | 12 | PT1/8 | 7.5 | 32.5 | 23 | 21 | 35.5 |
| PC1202-S | | PT1/4 | 10 | 35 | 23 | 21 | 37.5 |
| PC1203-S | | PT3/8 | 11 | 30.5 | 23 | 21 | 26.5 |
| PC1204-S | | PT1/2 | 14 | 32.5 | 23 | 21 | 38.5 |

POC系列



| 型號符號 | ΦD | R | ΦP | L | C | K | 對邊H | 重量(g) |
|-----------|----------|--------|----------|-----|------|------|-----|-------|
| POC4M5-S | 4 | M5×0.8 | 9 | 3.5 | 18.5 | 14 | 2.5 | 3.5 |
| POC401-S | | PT1/8 | 10 | 7.5 | 18 | 14 | 3 | 5 |
| POC402-S | | PT1/4 | 14 | 10 | 19.5 | 14 | 3 | 11.5 |
| POC6M5-S | 6 | M5×0.8 | 12 | 3.5 | 21.5 | 16.5 | 2.5 | 5.5 |
| POC601-S | | PT1/8 | 12 | 7.5 | 22.0 | 18.5 | 4 | 6 |
| POC602-S | | PT1/4 | 14 | 10 | 22.0 | 18.5 | 4 | 11 |
| POC603-S | | PT1/8 | 14 | 7.5 | 26.5 | 18 | 5 | 9 |
| POC802-S | 8 | PT1/4 | 14 | 10 | 25 | 18 | 6 | 9.5 |
| POC803-S | | PT3/8 | 17 | 11 | 23.5 | 18 | 6 | 18 |
| POC1001-S | | PT1/8 | 17 | 7.5 | 30 | 21 | 5 | 15.5 |
| POC1002-S | 10 | PT1/4 | 17 | 10 | 29 | 21 | 6 | 14.5 |
| POC1003-S | | PT3/8 | 17 | 11 | 28 | 21 | 8 | 17.5 |
| POC1004-S | | PT1/2 | 21 | 14 | 26.5 | 21 | 8 | 32.5 |
| POC1202-S | 12 | PT1/4 | 21 | 10 | 34.5 | 23 | 6 | 30 |
| POC1203-S | | PT3/8 | 21 | 11 | 30 | 23 | 8 | 23 |
| POC1204-S | | PT1/2 | 21 | 14 | 32 | 23 | 8 | 34.5 |

插管—螺紋類

成品訂購碼

PL 6 01 □ □ - S

① ② ③ ④ ⑤ ⑥

| ① 規格代號 | ② 接管口徑 | ③ 連接螺紋 | ④ 顏色代號 | ⑤ 牙型代號 | ⑥ 材質代號 |
|-------------------|-------------------|---|----------------------------|---------|-----------|
| PHW: F型螺紋可旋三通 | PZB: 十字螺紋四通 | 連接螺紋 適用接管口徑 | 顏色代號 顏色定義 | 空白: PT牙 | S: 不銹鋼304 |
| PHF: 串聯肘節 | PL: L型螺紋二通 | M5: M5X0.8 Φ4, Φ6 | 空白: 灰色 接口: 灰色 本體: 灰色 | | |
| PEB: T型正螺紋三通 | PLL: L型加長螺紋二通 | 4: Φ4mm 6: Φ6mm 8: Φ8mm 10: Φ10mm 12: Φ12mm | D: 黑色 接口: 黑色 本體: 黑色 | | |
| PED: T型側螺紋三通 | PH: 外六角肘節 | 01: PT1/8 02: PT1/4 03: PT3/8 04: PT1/2 | | | |
| PYB: Y型螺紋三通 | | | | | |

PKD 6 - 4 01 □ □ - S

① ② ③ ④ ⑤ ⑥ ⑦

| ① 規格代號 | ② 接管口徑 | ③ 接管口徑 | ④ 連接螺紋 | ⑤ 顏色代號 | ⑥ 牙型代號 | ⑦ 材質代號 |
|-----------------|---------------------------------|-------------------------------|-------------------------------------|---|---------|-----------|
| PKD: 減徑螺紋五通 | 6: Φ6mm 8: Φ8mm 10: Φ10mm | 4: Φ4mm 6: Φ6mm 8: Φ8mm | 01: PT1/8 02: PT1/4 03: PT3/8 | 顏色代號 顏色定義 空白: 灰色 接口: 灰色 本體: 灰色 D: 黑色 接口: 黑色 本體: 黑色 | 空白: PT牙 | S: 不銹鋼304 |

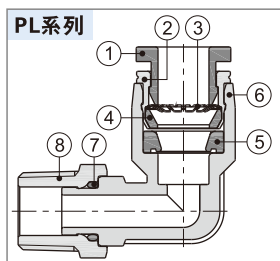
產品特性

- 1、不銹鋼304材質產品適合禁銅環境；
- 2、具有多種型號規格，廣泛應用於各類氣動系統；
- 3、流通性能優越，可通過與氣管內徑同容量之流量；
- 4、拔插接管簡單方便快捷，與氣管連接部份安全可靠又耐用；
- 5、螺紋部分塗有密封劑，M5公制螺紋附密封墊片，確保螺紋連接部份無洩漏。

產品規格

| | |
|------------|------------------------------------|
| 使用壓力範圍 | 0~10kgf/cm ² (0~1.0MPa) |
| 負壓 | -750mmHg(10Torr) |
| 保證耐壓力 | 1.5MPa |
| 使用溫度範圍(°C) | -20~70 |
| 適用軟管 | 尼龍軟管或PU管 |
| 顏色 | 灰色/黑色 |

內部結構



| 序號 | 名稱 | 材質 |
|----|------|--------|
| 1 | 塑膠接口 | POM |
| 2 | 定位環 | 鋁合金 |
| 3 | 彈簧墊片 | 不銹鋼 |
| 4 | 定位座 | POM |
| 5 | 異型O令 | NBR |
| 6 | 本體 | PBT |
| 7 | O型環 | NBR |
| 8 | 轉換接頭 | SUS304 |

接口端螺紋與插管端內徑配置表

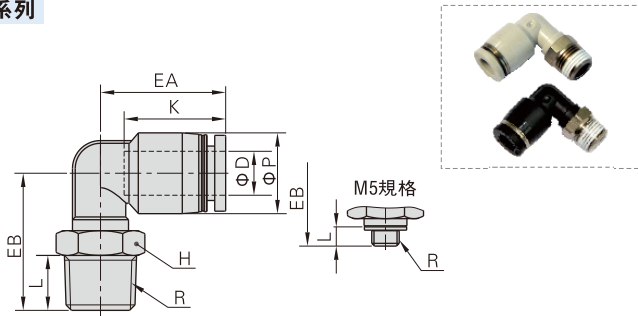
| 產品系列 | 螺紋規格 | 插管口徑 | | | | |
|-------------------|-------|------|----|----|-----|-----|
| | | Φ4 | Φ6 | Φ8 | Φ10 | Φ12 |
| PL | M5 | ● | ● | | | |
| | PT1/8 | ● | ● | ● | ● | ● |
| | PT1/4 | ● | ● | ● | ● | ● |
| | PT3/8 | ● | ● | ● | ● | ● |
| | PT1/2 | | ● | ● | ● | ● |
| PLL | M5 | ● | ● | | | |
| | PT1/8 | ● | ● | ● | ● | |
| | PT1/4 | ● | ● | ● | ● | ● |
| | PT3/8 | | ● | ● | ● | ● |
| | PT1/2 | | | ● | ● | ● |
| PEB PED PYB | M5 | ● | ● | | | |
| | PT1/8 | ● | ● | ● | ● | |
| | PT1/4 | ● | ● | ● | ● | ● |
| | PT3/8 | | ● | ● | ● | ● |
| | PT1/2 | | | ● | ● | ● |
| PH PHF | M5 | ● | ● | | | |
| | PT1/8 | ● | ● | ● | | |
| | PT1/4 | | ● | ● | ● | |
| | PT3/8 | | ● | ● | ● | ● |
| | PT1/2 | | | ● | ● | ● |
| PHW | PT1/8 | ● | ● | ● | | |
| | PT1/4 | | ● | ● | ● | |
| | PT3/8 | | ● | ● | ● | ● |
| PZB | PT1/2 | | | ● | ● | ● |
| | PT1/8 | | ● | ● | ● | |
| | PT1/4 | | ● | ● | ● | ● |
| | PT3/8 | | ● | ● | ● | ● |

| 產品系列 | 螺紋規格 | 插管口徑 | | |
|------|-------|-------|-------|--------|
| | | Φ6-Φ4 | Φ8-Φ6 | Φ10-Φ8 |
| PKD | PT1/8 | ● | | |
| | PT1/4 | | ● | |
| | PT3/8 | | | ● |

插管—螺紋類

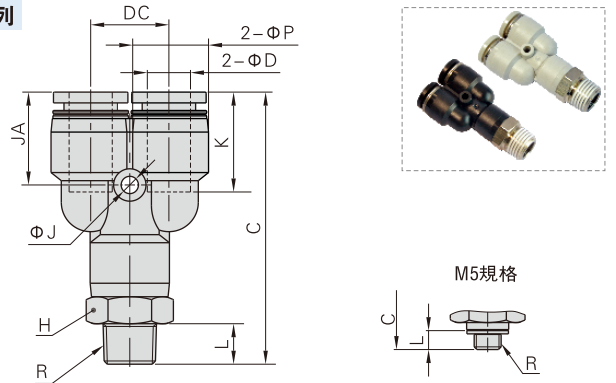
外部規格

PL系列



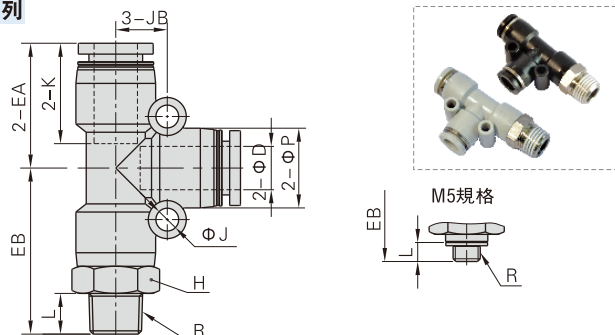
| 型號符號 | ΦD | R | ΦP | L | K | EA | EB | 對邊H | 重量(g) |
|----------|-------|--------|-------|-----|------|------|------|------|-------|
| PL4M5-S | 4 | M5×0.8 | 9 | 3.5 | 14 | 17 | 15 | 8 | 3 |
| PL401-S | | PT1/8 | 9 | 7.5 | 14 | 17 | 18.5 | 10 | 4.5 |
| PL402-S | | PT1/4 | 9 | 10 | 14 | 17 | 22.0 | 14 | 11 |
| PL6M5-S | 6 | M5×0.8 | 12.5 | 3.5 | 17 | 20 | 17.0 | 8 | 4.5 |
| PL601-S | | PT1/8 | 12.5 | 7.5 | 17 | 20 | 20.5 | 10 | 6 |
| PL602-S | | PT1/4 | 12.5 | 10 | 17 | 20 | 24.0 | 14 | 12.5 |
| PL603-S | 6 | PT3/8 | 12.5 | 11 | 17 | 20 | 25.5 | 17 | 19 |
| PL604-S | | PT1/2 | 12.5 | 14 | 17 | 20 | 30.0 | 21 | 33 |
| PL801-S | | PT1/8 | 15 | 7.5 | 18.5 | 23 | 20.5 | 10 | 7 |
| PL802-S | 8 | PT1/4 | 15 | 10 | 18.5 | 23 | 25.0 | 14 | 12 |
| PL803-S | | PT3/8 | 15 | 11 | 18.5 | 23 | 26.5 | 17 | 19.5 |
| PL804-S | | PT1/2 | 15 | 14 | 18.5 | 23 | 31.0 | 21 | 33 |
| PL1001-S | 10 | PT1/8 | 18 | 7.5 | 21 | 25.5 | 25.0 | 17 | 15.5 |
| PL1002-S | | PT1/4 | 18 | 10 | 21 | 25.5 | 27.0 | 17 | 18 |
| PL1003-S | | PT3/8 | 18 | 11 | 21 | 25.5 | 28.0 | 17 | 20 |
| PL1004-S | 10 | PT1/2 | 18 | 14 | 21 | 25.5 | 32.5 | 21 | 34.5 |
| PL1201-S | | PT1/8 | 21 | 7.5 | 23 | 28.5 | 26.5 | 17 | 18 |
| PL1202-S | | 12 | PT1/4 | 21 | 10 | 23 | 28.5 | 28.5 | 17 |
| PL1203-S | PT3/8 | | 21 | 11 | 23 | 29.5 | 33 | 17 | 24 |
| PL1204-S | PT1/2 | | 21 | 14 | 23 | 29.5 | 34 | 21 | 34.5 |

PYB系列



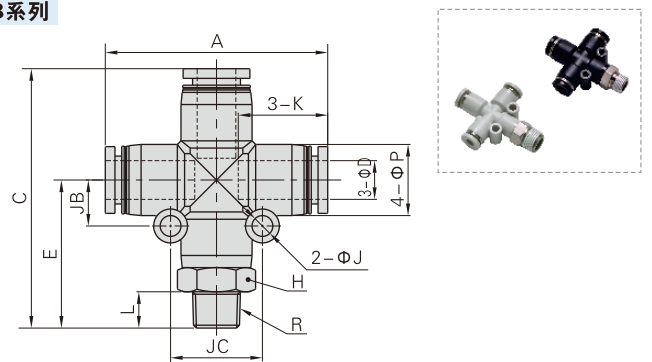
| 型號符號 | ΦD | R | ΦP | L | C | K | ΦJ | JA | DC | 對邊H | 重量(g) |
|-----------|----|--------|------|-----|------|------|-----|------|------|-----|-------|
| PYB4M5-S | 4 | M5×0.8 | 9 | 3.5 | 35.5 | 14 | 3.2 | 13 | 10 | 9 | 6.5 |
| PYB401-S | | PT1/8 | 9 | 7.5 | 39.5 | 14 | 3.2 | 13 | 10 | 10 | 8.5 |
| PYB402-S | | PT1/4 | 9 | 10 | 42.5 | 14 | 3.2 | 13 | 10 | 14 | 10 |
| PYB6M5-S | 6 | M5×0.8 | 12.5 | 3.5 | 40.5 | 16.5 | 3.2 | 15.5 | 12 | 12 | 10.5 |
| PYB601-S | | PT1/8 | 12.5 | 7.5 | 44.5 | 16.5 | 3.2 | 15.5 | 12 | 12 | 13 |
| PYB602-S | | PT1/4 | 12.5 | 10 | 47.5 | 16.5 | 3.2 | 15.5 | 12 | 14 | 17 |
| PYB603-S | 6 | PT3/8 | 12.5 | 11 | 49.0 | 16.5 | 3.2 | 15.5 | 12 | 17 | 23.5 |
| PYB801-S | | PT1/8 | 15 | 7.5 | 50 | 18.5 | 3.2 | 17 | 14.5 | 14 | 19 |
| PYB802-S | | PT1/4 | 15 | 10 | 52.5 | 18.5 | 3.2 | 17 | 14.5 | 14 | 21 |
| PYB803-S | 8 | PT3/8 | 15 | 11 | 54 | 18.5 | 3.2 | 17 | 14.5 | 17 | 26 |
| PYB804-S | | PT1/2 | 15 | 14 | 58 | 18.5 | 3.2 | 17 | 14.5 | 21 | 38 |
| PYB1001-S | | PT1/8 | 18 | 7.5 | 56.5 | 21 | 4.3 | 19.5 | 18 | 17 | 26 |
| PYB1002-S | 10 | PT1/4 | 18 | 10 | 59 | 21 | 4.3 | 19.5 | 18 | 17 | 28 |
| PYB1003-S | | PT3/8 | 18 | 11 | 60 | 21 | 4.3 | 19.5 | 18 | 17 | 31 |
| PYB1004-S | | PT1/2 | 18 | 14 | 64 | 21 | 4.3 | 19.5 | 18 | 21 | 42.5 |
| PYB1202-S | 12 | PT1/4 | 21 | 10 | 66 | 23 | 4.3 | 21 | 20.5 | 21 | 26.5 |
| PYB1203-S | | PT3/8 | 21 | 11 | 67 | 23 | 4.3 | 21 | 20.5 | 21 | 49 |
| PYB1204-S | | PT1/2 | 21 | 14 | 70 | 23 | 4.3 | 21 | 20.5 | 21 | 53.5 |

PED系列



| 型號符號 | ΦD | R | ΦP | K | L | EA | EB | ΦJ | JB | 對邊H | 重量(g) |
|-----------|----|--------|------|------|------|------|------|-----|-----|------|-------|
| PED4M5-S | 4 | M5×0.8 | 9 | 14 | 3.5 | 17 | 21 | 3.2 | 6.5 | 9 | 6.5 |
| PED401-S | | PT1/8 | 9 | 14 | 7.5 | 17 | 25 | 3.2 | 6.5 | 10 | 8.5 |
| PED402-S | | PT1/4 | 9 | 14 | 10 | 17 | 28 | 3.2 | 6.5 | 14 | 14.5 |
| PED6M5-S | 6 | M5×0.8 | 12.5 | 16.5 | 3.5 | 20 | 23.5 | 3.2 | 8 | 12 | 10.5 |
| PED601-S | | PT1/8 | 12.5 | 16.5 | 7.5 | 20 | 27.5 | 3.2 | 8 | 14 | 13 |
| PED602-S | | PT1/4 | 12.5 | 16.5 | 10 | 20 | 30.5 | 3.2 | 8 | 17 | 17.5 |
| PED603-S | 6 | PT3/8 | 12.5 | 16.5 | 11 | 20 | 32 | 3.2 | 8 | 17 | 23.5 |
| PED801-S | | PT1/8 | 15 | 18.5 | 7.5 | 23 | 30.5 | 4.3 | 9.5 | 14 | 17.5 |
| PED802-S | | PT1/4 | 15 | 18.5 | 10 | 23 | 33 | 4.3 | 9.5 | 14 | 20 |
| PED803-S | 8 | PT3/8 | 15 | 18.5 | 11 | 23 | 34.5 | 4.3 | 9.5 | 17 | 26.5 |
| PED804-S | | PT1/2 | 15 | 18.5 | 14 | 23 | 38.5 | 4.3 | 9.5 | 21 | 38 |
| PED1001-S | | PT1/8 | 18 | 21 | 7.5 | 26.5 | 34 | 4.3 | 11 | 17 | 25.5 |
| PED1002-S | 10 | PT1/4 | 18 | 10 | 26.5 | 36.5 | 4.3 | 11 | 17 | 27.5 | |
| PED1003-S | | PT3/8 | 18 | 11 | 26.5 | 37.5 | 4.3 | 11 | 17 | 30 | |
| PED1004-S | | PT1/2 | 18 | 14 | 26.5 | 41.5 | 4.3 | 11 | 21 | 42.5 | |
| PED1202-S | 12 | PT1/4 | 21 | 10 | 30 | 41 | 4.3 | 13 | 21 | 47 | |
| PED1203-S | | PT3/8 | 21 | 11 | 30 | 42 | 4.3 | 13 | 21 | 48.5 | |
| PED1204-S | | PT1/2 | 21 | 14 | 30 | 45 | 4.3 | 13 | 21 | 54 | |

PZB系列

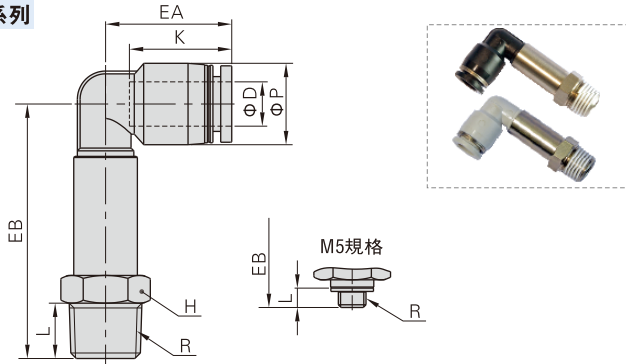


| 型號符號 | ΦD | R | L | A | E | C | K | ΦP | ΦJ | JB | JC | 對邊H | 重量(g) |
|-----------|----|-------|-----|------|------|------|------|-----|-----|----|----|------|-------|
| PZB601-S | 6 | PT1/8 | 7.5 | 27.5 | 47.5 | 16.5 | 12.5 | 3.2 | 8 | 16 | 12 | 14.5 | |
| PZB602-S | | PT1/4 | 10 | 39.5 | 50.5 | 16.5 | 12.5 | 3.2 | 8 | 16 | 14 | 19.5 | |
| PZB603-S | | PT3/8 | 11 | 32 | 52 | 16.5 | 12.5 | 3.2 | 8 | 16 | 17 | 25.5 | |
| PZB801-S | 8 | PT1/8 | 7.5 | 30.5 | 53.5 | 18.5 | 15 | 4.3 | 9.5 | 19 | 14 | 20 | |
| PZB802-S | | PT1/4 | 10 | 46 | 56 | 18.5 | 15 | 4.3 | 9.5 | 19 | 14 | 22.5 | |
| PZB803-S | | PT3/8 | 11 | 34.5 | 57.5 | 18.5 | 15 | 4.3 | 9.5 | 19 | 17 | 28 | |
| PZB804-S | 8 | PT1/2 | 14 | 38.5 | 61.5 | 18.5 | 15 | 4.3 | 9.5 | 19 | 21 | 40.5 | |
| PZB1002-S | | PT1/4 | 10 | 36.5 | 63 | 21 | 18 | 4.3 | 11 | 22 | 17 | 32 | |
| PZB1003-S | | PT3/8 | 11 | 52.5 | 67.5 | 21 | 18 | 4.3 | 11 | 22 | 17 | 35 | |
| PZB1004-S | 10 | PT1/2 | 14 | 41.5 | 68 | 21 | 18 | 4.3 | 11 | 22 | 21 | 46.5 | |
| PZB1203-S | | PT3/8 | 11 | 42 | 72 | 23 | 21 | 4.3 | 13 | 26 | 21 | 53.5 | |
| PZB1204-S | | PT1/2 | 14 | 59.5 | 75 | 23 | 21 | 4.3 | 13 | 26 | 21 | 62 | |

輔助元件——不銹鋼管接頭

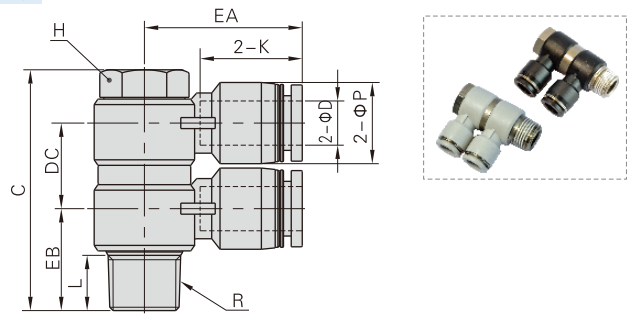
插管—螺紋類

PLL系列



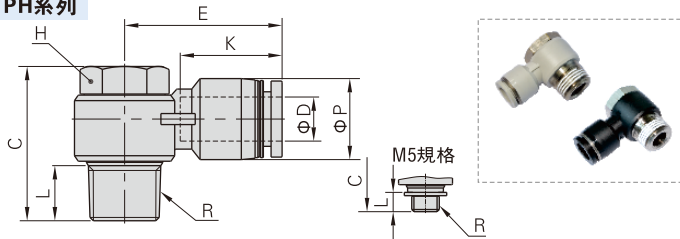
| 型號符號 | ΦD | R | ΦP | K | L | EA | EB | 對邊H | 重量(g) |
|-----------|----|--------|------|------|-----|------|------|-----|-------|
| PLL4M5-S | 4 | M5×0.8 | 9 | 14 | 3.5 | 17 | 32.5 | 8 | 8 |
| PLL401-S | | PT1/8 | 9 | 14 | 7.5 | 17 | 35.5 | 10 | 11.5 |
| PLL402-S | | PT1/4 | 9 | 14 | 10 | 17 | 38.5 | 14 | 15.5 |
| PLL6M5-S | 6 | M5×0.8 | 12.5 | 17 | 3.5 | 20 | 34.5 | 8 | 9.5 |
| PLL601-S | | PT1/8 | 12.5 | 17 | 7.5 | 20 | 37.5 | 10 | 12 |
| PLL602-S | | PT1/4 | 12.5 | 17 | 10 | 20 | 40.5 | 14 | 16.5 |
| PLL603-S | 8 | PT3/8 | 12.5 | 17 | 11 | 20 | 43 | 17 | 21.5 |
| PLL801-S | | PT1/8 | 15 | 18.5 | 7.5 | 23 | 43.5 | 12 | 15.5 |
| PLL802-S | | PT1/4 | 15 | 18.5 | 10 | 23 | 45.5 | 14 | 21 |
| PLL803-S | 10 | PT3/8 | 15 | 18.5 | 11 | 23 | 48 | 17 | 25.5 |
| PLL1001-S | | PT1/8 | 18 | 21 | 7.5 | 25.5 | 50.5 | 15 | 35 |
| PLL1002-S | | PT1/4 | 18 | 21 | 10 | 25.5 | 53.5 | 15 | 37.5 |
| PLL1003-S | 12 | PT3/8 | 18 | 21 | 11 | 25.5 | 54.5 | 17 | 38 |
| PLL1004-S | | PT1/2 | 18 | 21 | 14 | 25.5 | 59 | 21 | 44 |
| PLL1202-S | | PT1/4 | 21 | 23 | 10 | 28.5 | 55.5 | 15 | 40 |
| PLL1203-S | 12 | PT3/8 | 21 | 23 | 11 | 29.5 | 60 | 17 | 51.5 |
| PLL1204-S | | PT1/2 | 21 | 23 | 14 | 29.5 | 63 | 21 | 52.5 |

PHW系列



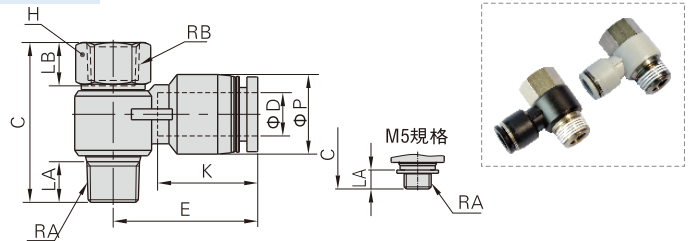
| 型號符號 | ΦD | R | ΦP | L | C | K | EA | EB | DC | 對邊H | 重量(g) |
|-----------|----|-------|------|-----|------|------|------|------|------|-----|-------|
| PHW401-S | 4 | PT1/8 | 9 | 7.5 | 38 | 14 | 20.5 | 14.5 | 13 | 11 | 17.5 |
| PHW601-S | | PT1/8 | 12.5 | 7.5 | 38 | 16.5 | 23.0 | 15 | 13 | 11 | 19.5 |
| PHW602-S | 6 | PT1/4 | 12.5 | 10 | 43.5 | 16.5 | 25.0 | 17.5 | 15.5 | 14 | 37.5 |
| PHW603-S | | PT3/8 | 12.5 | 11 | 50 | 16.5 | 27.0 | 20 | 16.5 | 19 | 64 |
| PHW801-S | 8 | PT1/8 | 15 | 7.5 | 40.5 | 18.5 | 26.5 | 16.5 | 15.5 | 11 | 22.5 |
| PHW802-S | | PT1/4 | 15 | 10 | 43.5 | 18.5 | 28.5 | 18.5 | 15.5 | 14 | 38 |
| PHW803-S | | PT3/8 | 15 | 11 | 50 | 18.5 | 29.5 | 20 | 16.5 | 19 | 65 |
| PHW804-S | 10 | PT1/2 | 15 | 14 | 61 | 18.5 | 32 | 24.5 | 22 | 24 | 133.5 |
| PHW1002-S | | PT1/4 | 18 | 10 | 46.5 | 21 | 31 | 20 | 18.5 | 14 | 44 |
| PHW1003-S | 10 | PT3/8 | 18 | 11 | 55 | 21 | 33 | 21 | 22 | 19 | 81.5 |
| PHW1004-S | | PT1/2 | 18 | 14 | 61 | 21 | 35.5 | 25 | 22 | 24 | 127.5 |
| PHW1203-S | 12 | PT3/8 | 21 | 11 | 55 | 23 | 36 | 23 | 22 | 19 | 80.5 |
| PHW1204-S | | PT1/2 | 21 | 14 | 61 | 23 | 38 | 26.5 | 22 | 24 | 137.5 |

PH系列



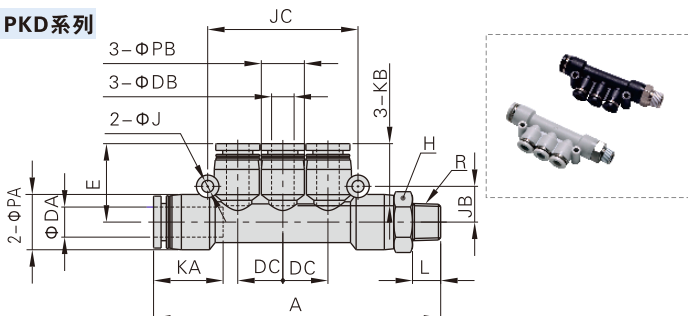
| 型號符號 | ΦD | R | ΦP | L | C | K | E | 對邊H | 重量(g) |
|----------|----|--------|------|-----|----|------|------|-----|-------|
| PH4M5-S | 4 | M5×0.8 | 9 | 3.5 | 17 | 14 | 19 | 8 | 5.5 |
| PH401-S | | PT1/8 | 9 | 7.5 | 25 | 14 | 20.5 | 11 | 12 |
| PH6M5-S | 6 | M5×0.8 | 12.5 | 3.5 | 17 | 16.5 | 23.5 | 8 | 6.5 |
| PH601-S | | PT1/8 | 12.5 | 7.5 | 25 | 16.5 | 23 | 11 | 13 |
| PH602-S | | PT1/4 | 12.5 | 10 | 28 | 16.5 | 25 | 14 | 23.5 |
| PH603-S | 8 | PT3/8 | 12.5 | 11 | 33 | 16.5 | 27 | 19 | 46.5 |
| PH801-S | | PT1/8 | 15 | 7.5 | 25 | 18.5 | 26.5 | 11 | 14 |
| PH802-S | | PT1/4 | 15 | 10 | 28 | 18.5 | 28.5 | 14 | 24.5 |
| PH803-S | 10 | PT3/8 | 15 | 11 | 33 | 18.5 | 29.5 | 19 | 45.5 |
| PH804-S | | PT1/2 | 15 | 14 | 39 | 18.5 | 32 | 24 | 82 |
| PH1002-S | 10 | PT1/4 | 18 | 10 | 28 | 21 | 31 | 14 | 26 |
| PH1003-S | | PT3/8 | 18 | 11 | 33 | 21 | 33 | 19 | 47.5 |
| PH1004-S | | PT1/2 | 18 | 14 | 39 | 21 | 35.5 | 24 | 81.5 |
| PH1203-S | 12 | PT3/8 | 21 | 11 | 33 | 23 | 36 | 19 | 49.5 |
| PH1204-S | | PT1/2 | 21 | 14 | 39 | 23 | 38 | 24 | 86 |

PHF系列



| 型號符號 | ΦD | RA | RB | ΦP | LA | LB | C | K | E | 對邊H | 重量(g) |
|-----------|----|--------|--------|------|-----|------|------|------|------|-----|-------|
| PHF4M5-S | 4 | M5×0.8 | M5×0.8 | 9 | 3.5 | 6 | 20 | 14 | 19 | 8 | 6 |
| PHF401-S | | PT1/8 | PT1/8 | 9 | 7.5 | 8 | 29.5 | 14 | 20.5 | 12 | 12 |
| PHF6M5-S | 6 | M5×0.8 | M5×0.8 | 12.5 | 3.5 | 6 | 20 | 16.5 | 23.5 | 8 | 7 |
| PHF601-S | | PT1/8 | PT1/8 | 12.5 | 7.5 | 8 | 29.5 | 16.5 | 23 | 12 | 13 |
| PHF602-S | | PT1/4 | PT1/4 | 12.5 | 10 | 11 | 35 | 16.5 | 25 | 17 | 28 |
| PHF603-S | 8 | PT3/8 | PT3/8 | 12.5 | 11 | 12 | 40 | 16.5 | 27 | 19 | 41 |
| PHF801-S | | PT1/8 | PT1/8 | 15 | 7.5 | 8 | 29.5 | 18.5 | 26.5 | 12 | 14 |
| PHF802-S | | PT1/4 | PT1/4 | 15 | 10 | 11 | 35 | 18.5 | 28.5 | 17 | 28.5 |
| PHF803-S | 10 | PT3/8 | PT3/8 | 15 | 11 | 12 | 40 | 18.5 | 29.5 | 19 | 41.5 |
| PHF804-S | | PT1/2 | PT1/2 | 15 | 14 | 13.5 | 47.5 | 18.5 | 32 | 24 | 78 |
| PHF1002-S | 10 | PT1/4 | PT1/4 | 18 | 10 | 11 | 35 | 21 | 31 | 17 | 30 |
| PHF1003-S | | PT3/8 | PT3/8 | 18 | 11 | 12 | 40 | 21 | 33 | 19 | 43 |
| PHF1004-S | | PT1/2 | PT1/2 | 18 | 14 | 13.5 | 47.5 | 21 | 35.5 | 24 | 79.5 |
| PHF1203-S | 12 | PT3/8 | PT3/8 | 21 | 11 | 12 | 40 | 23 | 36 | 19 | 45 |
| PHF1204-S | | PT1/2 | PT1/2 | 21 | 14 | 13.5 | 47.5 | 23 | 38 | 24 | 83 |

PKD系列

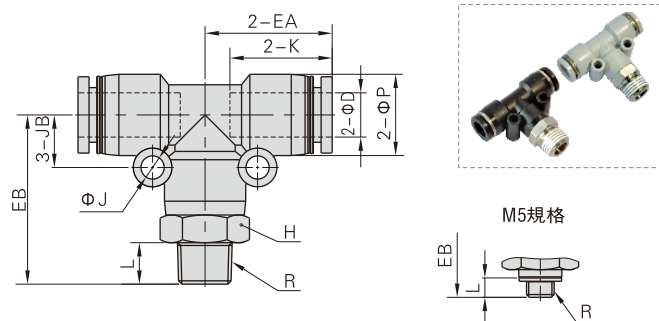


| 型號符號 | ΦDA | ΦDB | R | L | A | ΦPA | ΦPB | KA |
|-------------|-----|-----|-------|-----|------|------|------|------|
| PKD6-401-S | 6 | 4 | PT1/8 | 7.5 | 66.5 | 12.5 | 9 | 16.5 |
| PKD8-602-S | 8 | 6 | PT1/4 | 10 | 79 | 15 | 12.5 | 18.5 |
| PKD10-803-S | 10 | 8 | PT3/8 | 11 | 91.5 | 18 | 15 | 21 |

| 型號符號 | KB | ΦJ | JB | JC | DC | E | 對邊H | 重量(g) |
|-------------|------|-----|-----|----|------|------|-----|-------|
| PKD6-401-S | 14 | 3.2 | 8 | 34 | 10 | 17.5 | 12 | 15 |
| PKD8-602-S | 16.5 | 3.2 | 9.5 | 40 | 12 | 21 | 14 | 25.5 |
| PKD10-803-S | 18.5 | 4.3 | 11 | 48 | 14.5 | 24 | 17 | 36.5 |

插管—螺紋類

PEB系列



| 型號符號 | φD | R | φP | L | K | EA | EB | φJ | JB | 對邊H | 重量(g) |
|-----------|----|--------|------|-----|------|------|------|-----|-----|-----|-------|
| PEB4M5-S | 4 | M5×0.8 | 9 | 3.5 | 14 | 17 | 21 | 3.2 | 6.5 | 9 | 6.5 |
| PEB401-S | | PT1/8 | 9 | 7.5 | 14 | 17 | 25 | 3.2 | 6.5 | 10 | 8.5 |
| PEB402-S | | PT1/4 | 9 | 10 | 14 | 17 | 28 | 3.2 | 6.5 | 14 | 14.5 |
| PEB6M5-S | 6 | M5×0.8 | 12.5 | 3.5 | 16.5 | 20 | 23.5 | 3.2 | 8 | 12 | 10.5 |
| PEB601-S | | PT1/8 | 12.5 | 7.5 | 16.5 | 20 | 27.5 | 3.2 | 8 | 12 | 13 |
| PEB602-S | | PT1/4 | 12.5 | 10 | 16.5 | 20 | 30.5 | 3.2 | 8 | 14 | 17.5 |
| PEB603-S | | PT3/8 | 12.5 | 11 | 16.5 | 20 | 32 | 3.2 | 8 | 17 | 23.5 |
| PEB801-S | 8 | PT1/8 | 15 | 7.5 | 18.5 | 23 | 30.5 | 4.3 | 9.5 | 14 | 17.5 |
| PEB802-S | | PT1/4 | 15 | 10 | 18.5 | 23 | 33 | 4.3 | 9.5 | 14 | 20 |
| PEB803-S | | PT3/8 | 15 | 11 | 18.5 | 23 | 34.5 | 4.3 | 9.5 | 17 | 26.5 |
| PEB804-S | | PT1/2 | 15 | 14 | 18.5 | 23 | 38.5 | 4.3 | 9.5 | 21 | 38 |
| PEB1001-S | 10 | PT1/8 | 18 | 7.5 | 21 | 26.5 | 34 | 4.3 | 11 | 17 | 25.5 |
| PEB1002-S | | PT1/4 | 18 | 10 | 21 | 26.5 | 36.5 | 4.3 | 11 | 17 | 27.5 |
| PEB1003-S | | PT3/8 | 18 | 11 | 21 | 26.5 | 37.5 | 4.3 | 11 | 17 | 30 |
| PEB1004-S | | PT1/2 | 18 | 14 | 21 | 26.5 | 41.5 | 4.3 | 11 | 21 | 42.5 |
| PEB1202-S | 12 | PT1/4 | 21 | 10 | 23 | 30 | 41 | 4.3 | 13 | 21 | 47 |
| PEB1203-S | | PT3/8 | 21 | 11 | 23 | 30 | 42 | 4.3 | 13 | 21 | 48.5 |
| PEB1204-S | | PT1/2 | 21 | 14 | 23 | 30 | 45 | 4.3 | 13 | 21 | 54 |