

RP73PF1E34RBTD ✓ ACTIVE

Holsworthy | Holsworthy RP73

TE Internal #: 5-2176304-2

34 Ω, Thin Film, Precision Resistor, .1 %, 2 Termination, 0402, Taped & Reeled, .1 W, ±25 ppm/°C, Solder, Height .012 in [.3 mm],

Holsworthy RP73

[View on TE.com >](#)



Passive Components > Resistors > Surface Mount Resistors



Resistor Type: **Precision Resistor**

Number of Terminations: **2**

Package Size Code: **0402**

Packaging Method: **Taped & Reeled**

Passive Component Tolerance: **.1 %**

Features

Product Type Features

Resistor Type	Precision Resistor
Package Size Code	0402
Element Type	Thin Film

Configuration Features

Number of Resistors	1
---------------------	---

Electrical Characteristics

Operating Voltage	25 V
Passive Component Tolerance	.1 %
Resistance Class	Up to 1kΩ
Resistance Value	34 Ω
Power Rating	.1 W

Termination Features

Number of Terminations	2
Surface Mount Resistor Termination Type	Solder



Dimensions

Product Height	.3 mm[.012 in]
Product Length	1 mm[.039 in]
Product Width	.5 mm[.02 in]

Usage Conditions

Operating Temperature Range	-55 – 155 °C
Temperature Coefficient	±25 ppm/°C

Packaging Features

Packaging Method	Taped & Reeled
------------------	----------------

Product Compliance

[For compliance documentation, visit the product page on TE.com>](#)

EU RoHS Directive 2011/65/EU	Compliant
EU ELV Directive 2000/53/EC	Compliant
China RoHS 2 Directive MIIT Order No 32, 2016	No Restricted Materials Above Threshold
EU REACH Regulation (EC) No. 1907/2006	Current ECHA Candidate List: JUNE 2023 (235) Candidate List Declared Against: JUNE 2023 (235) Does not contain REACH SVHC
Halogen Content	Low Halogen - Br, Cl, F, I < 900 ppm per homogenous material. Also BFR/CFR/PVC Free
Solder Process Capability	Reflow solder capable to 260°C

Product Compliance Disclaimer

This information is provided based on reasonable inquiry of our suppliers and represents our current actual knowledge based on the information they provided. This information is subject to change. The part numbers that TE has identified as EU RoHS compliant have a maximum concentration of 0.1% by weight in homogenous materials for lead, hexavalent chromium, mercury, PBB, PBDE, DBP, BBP, DEHP, DIBP, and 0.01% for cadmium, or qualify for an exemption to these limits as defined in the Annexes of Directive 2011/65/EU (RoHS2). Finished electrical and electronic equipment products will be CE marked as required by Directive 2011/65/EU. Components may not be CE marked. Additionally, the part numbers that TE has identified as EU ELV compliant have a maximum concentration of 0.1% by weight in homogenous materials for lead, hexavalent chromium, and mercury, and 0.01% for cadmium, or qualify for an exemption to these limits as defined in the Annexes of Directive 2000/53/EC (ELV). Regarding the REACH Regulation, the information TE provides on SVHC in articles for this part number is based on the latest European Chemicals Agency (ECHA) 'Guidance on requirements for substances in articles' posted at this URL: <https://echa.europa.eu/guidance-documents/guidance-on-reach>

Compatible Parts




TE Part # 1625867-2
RP 1J 0.166W 10K 0.1% 25PPM 1K RL



TE Part # 2176093-5
RP 2A 0.25W 10K 0.1% 25PPM 1K RL



TE Part # 1-2176092-8
RP 2A 0.25W 1K0 0.1% 25PPM 1K RL



TE Part # 2176308-5
RP 1E 0.1W 147K 0.1% 25PPM 5K RL



TE Part # 2-2176308-7
RP 1E 0.1W 249K 0.1% 25PPM 5K RL

Also in the Series | **Holsworthy RP73**



Surface Mount Resistors(4556)

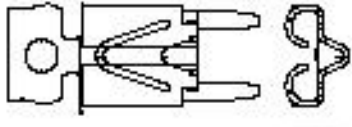
Customers Also Bought



TE Part #4-1437565-2
FSM4JSMATR=TACT SWITCH 6X6MIL



TE Part #4-1393637-6
V42254P2263C960=PC612 FEDERLEI



TE Part #1217080-1
FASTON 205/250 PCB MOUNTED TPBR



TE Part #1367147-3
SFP COVER, UNPL, NO LOGO



TE Part #63849-1
250 FASTON TAB TPBR



TE Part #2176337-5
CRGCC 0402 22R 1%



TE Part #1744037-3
03P EC PWR.200 CL HDR ASSY VRT



TE Part #1744036-3
03P ECONOMY POWER .200 CL HSG



Documents

Product Drawings

[RP 1E 0.1W 34R 0.1% 25PPM 5K RL](#)

English

CAD Files

[3D PDF](#)

3D

Customer View Model

[ENG_CVM_CVM_5-2176304-2_BA.2d_dxf.zip](#)

English

Customer View Model

[ENG_CVM_CVM_5-2176304-2_BA.3d_igs.zip](#)

English

Customer View Model

[ENG_CVM_CVM_5-2176304-2_BA.3d_stp.zip](#)

English

By downloading the CAD file I accept and agree to the [Terms and Conditions](#) of use.

Datasheets & Catalog Pages

[RP73-0915](#)

English