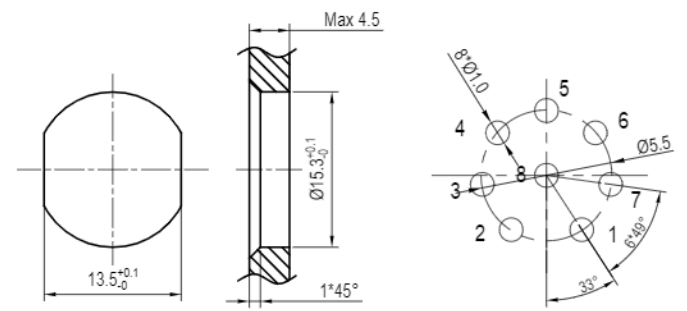
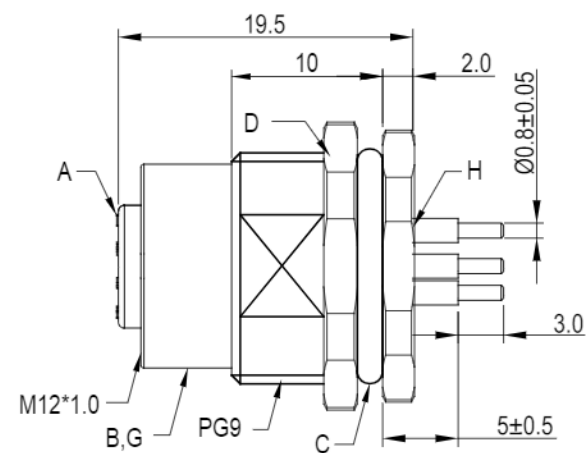
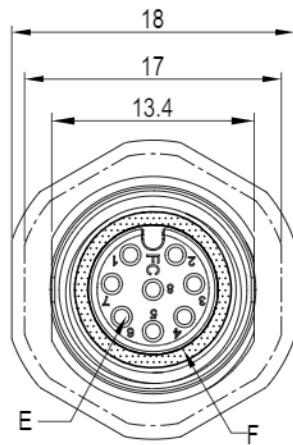


日期 Date	修改内容 Description	发行版本 Revision	变更编号 ECN NO.
Dec.06,2018	First release	A / 0	



Recommended panel cut-out and PCB layout

H	Resin	Black epoxy resin	g	1.5	
G	Ring	Black rubber O-ring	pcs	1	
F	Ring	Green rubber O-ring	pcs	1	
E	Ter.	M12 female terminal, brass with gold plated, PCB type	pcs	8	
D	Nut	PG9 nut, brass with nickel plated, H=18mm, T=3.0mm	pcs	1	
C	Ring	Black rubber O-ring	pcs	1	
B	Screw	M12/PG9 screw, brass with nickel plated	pcs	1	
A	Hous.	M12 8P A-code black housing	pcs	1	
编号 No.	料号 Materials.No	品名 Name	材料规格 Description	单位 Unit	用量 Qty
文件路径 File Path		\\Finecable-sv\eng\Drawing			

FINECABLES® 东莞市协顺电子科技有限公司
FINECABLES CO., LTD

图号 File No.	A000-CP-T1687	客户料号 Cus' P/N	MB12FBAFF08ST-3	品名 Name		
未注公差 No specified tolerance		核准 Approved		单位 Unit	mm	
线性 Linear	0.5-6	±0.1	审核 Checked	比例 Scale	---	
	>6-30	±0.2				
	>30	±2%				
角度 Angles	±3°		绘图 Drawing	Alex	页码 Page	1 / 1

All rights reserved by Dongguan Finecables Co., Ltd.