

5-2176088-1 ✓ ACTIVE

Holsworthy | Holsworthy RP73

TE Internal #: 5-2176088-1

2.94K Ω , Thin Film, Precision Resistor, .1 %, 2 Termination, 0603,
Taped & Reeled, .166 W, ± 25 ppm/ $^{\circ}\text{C}$, Solder, Holsworthy RP73

[View on TE.com >](#)



Passive Components > Resistors > Surface Mount Resistors



Resistor Type: **Precision Resistor**

Number of Terminations: **2**

Package Size Code: **0603**

Packaging Method: **Taped & Reeled**

Passive Component Tolerance: **.1 %**

Features

Product Type Features

| | |
|-------------------|--------------------|
| Resistor Type | Precision Resistor |
| Package Size Code | 0603 |
| Element Type | Thin Film |

Configuration Features

| | |
|---------------------|---|
| Number of Resistors | 1 |
|---------------------|---|

Electrical Characteristics

| | |
|-----------------------------|---------------------------|
| Operating Voltage | 100 V |
| Passive Component Tolerance | .1 % |
| Resistance Class | 1k Ω – 1M Ω |
| Resistance Value | 2.94K Ω |
| Power Rating | .166 W |

Termination Features

| | |
|---|--------|
| Number of Terminations | 2 |
| Surface Mount Resistor Termination Type | Solder |

Dimensions

| | |
|----------------|------------------|
| Product Height | .45 mm[.018 in] |
| Product Length | 1.55 mm[.061 in] |
| Product Width | .8 mm[.031 in] |



Usage Conditions

| | |
|-------------------------|----------------------------------|
| Temperature Coefficient | ± 25 ppm/ $^{\circ}\text{C}$ |
|-------------------------|----------------------------------|

Packaging Features

| | |
|------------------|----------------|
| Packaging Method | Taped & Reeled |
|------------------|----------------|

Product Compliance

[For compliance documentation, visit the product page on TE.com>](#)

| | |
|---|---|
| EU RoHS Directive 2011/65/EU | Compliant |
| EU ELV Directive 2000/53/EC | Compliant |
| China RoHS 2 Directive MIIT Order No 32, 2016 | No Restricted Materials Above Threshold |
| EU REACH Regulation (EC) No. 1907/2006 | Current ECHA Candidate List: JUNE 2023 (235) Candidate List Declared Against: JUNE 2023 (235) Does not contain REACH SVHC |
| Halogen Content | Low Halogen - Br, Cl, F, I < 900 ppm per homogenous material. Also BFR/CFR/PVC Free |
| Solder Process Capability | Reflow solder capable to 260 $^{\circ}\text{C}$ |

Product Compliance Disclaimer

This information is provided based on reasonable inquiry of our suppliers and represents our current actual knowledge based on the information they provided. This information is subject to change. The part numbers that TE has identified as EU RoHS compliant have a maximum concentration of 0.1% by weight in homogenous materials for lead, hexavalent chromium, mercury, PBB, PBDE, DBP, BBP, DEHP, DIBP, and 0.01% for cadmium, or qualify for an exemption to these limits as defined in the Annexes of Directive 2011/65/EU (RoHS2). Finished electrical and electronic equipment products will be CE marked as required by Directive 2011/65/EU. Components may not be CE marked. Additionally, the part numbers that TE has identified as EU ELV compliant have a maximum concentration of 0.1% by weight in homogenous materials for lead, hexavalent chromium, and mercury, and 0.01% for cadmium, or qualify for an exemption to these limits as defined in the Annexes of Directive 2000/53/EC (ELV). Regarding the REACH Regulation, the information TE provides on SVHC in articles for this part number is based on the latest European Chemicals Agency (ECHA) 'Guidance on requirements for substances in articles' posted at this URL: <https://echa.europa.eu/guidance-documents/guidance-on-reach>

Compatible Parts




TE Part # 1625867-2
RP 1J 0.166W 10K 0.1% 25PPM 1K RL



TE Part # 2176093-5
RP 2A 0.25W 10K 0.1% 25PPM 1K RL



TE Part # 1-2176092-8
RP 2A 0.25W 1K0 0.1% 25PPM 1K RL



TE Part # 2176308-5
RP 1E 0.1W 147K 0.1% 25PPM 5K RL



TE Part # 2-2176308-7
RP 1E 0.1W 249K 0.1% 25PPM 5K RL

Also in the Series | Holsworthy RP73



Surface Mount Resistors(4556)

Customers Also Bought



TE Part #1761028-3
50 50SR R/A RCPT ASSY, LEAD FRE



TE Part #1-1939638-0
DYNAMIC 1100D HDR ASSY H 40P
XBLACK GOLD



TE Part #1-770190-1
15P MINI UMNL ASSY VO SNAU LF



TE Part #1977223-6
FSM2JSMAASTR=6MM TACT
SWITCH,



TE Part #5-146254-5
10 MODII HDR DRST B/A .100CL



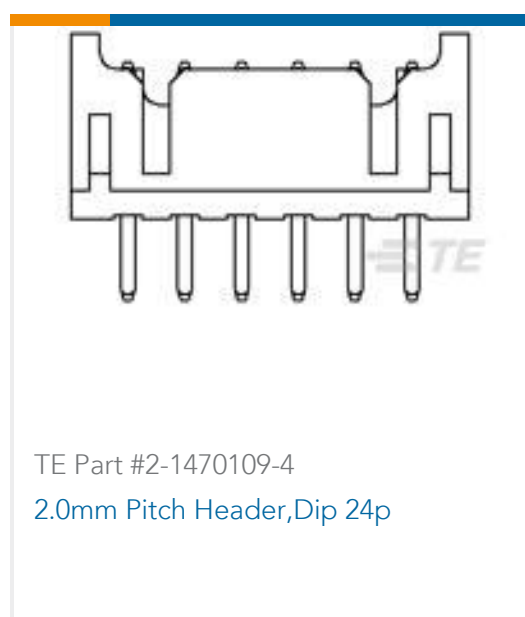
TE Part #2301994-8
RJ45 JACK INT. MAG. 10/100 LED 1X1
INV.



TE Part #1623244-1
CRG0805 1% 51K



TE Part #4-2176330-1
CRGP 2010 22K 1%



Documents

CAD Files

[3D PDF](#)

[3D](#)

Customer View Model

[ENG_CVM_CVM_5-2176088-1_BA.2d_dxf.zip](#)

English

Customer View Model

[ENG_CVM_CVM_5-2176088-1_BA.3d_igs.zip](#)

English

Customer View Model

[ENG_CVM_CVM_5-2176088-1_BA.3d_stp.zip](#)

English

By downloading the CAD file I accept and agree to the [Terms and Conditions](#) of use.

Datasheets & Catalog Pages

[RP73-0915](#)

English