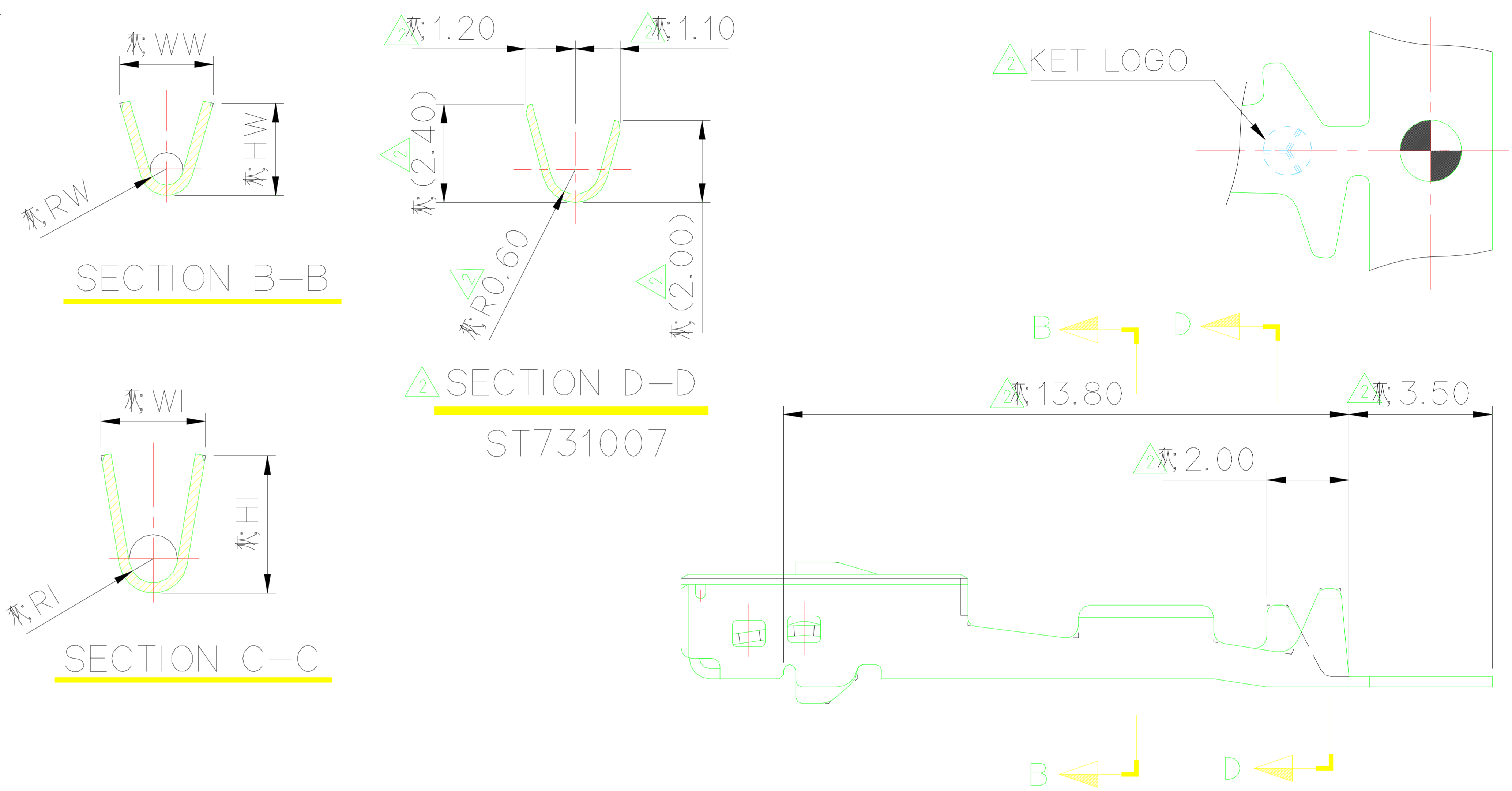


GENERAL TOLERANCE (TERMINAL)						USED ON
10 MAX	20 MAX	45 MAX	45 VR	ANGLE	ECCENT	
±0.2	±0.25	±0.3	±0.5	±30'	0.1	

NO.	TIN PLATING	GOLD PLATING	WIRE SIZE	DIMENSION					
				WW	HW	RW	WI	HI	RI
1	ST730770-3	ST730770-G	AVSS(CAVS) 0.3 - 0.5	2.2	(2.3)	0.4	2.5	(3.4)	0.59
2	ST730960-3	ST730960-G	AVSS(CAVS) 0.85	2.7	(2.8)	0.74	3.1	(2.7)	0.89
3	ST731007-3	-	AVSS 0.22 CHFUS 0.13~0.22	1.9	(1.80)	0.35	-	-	-

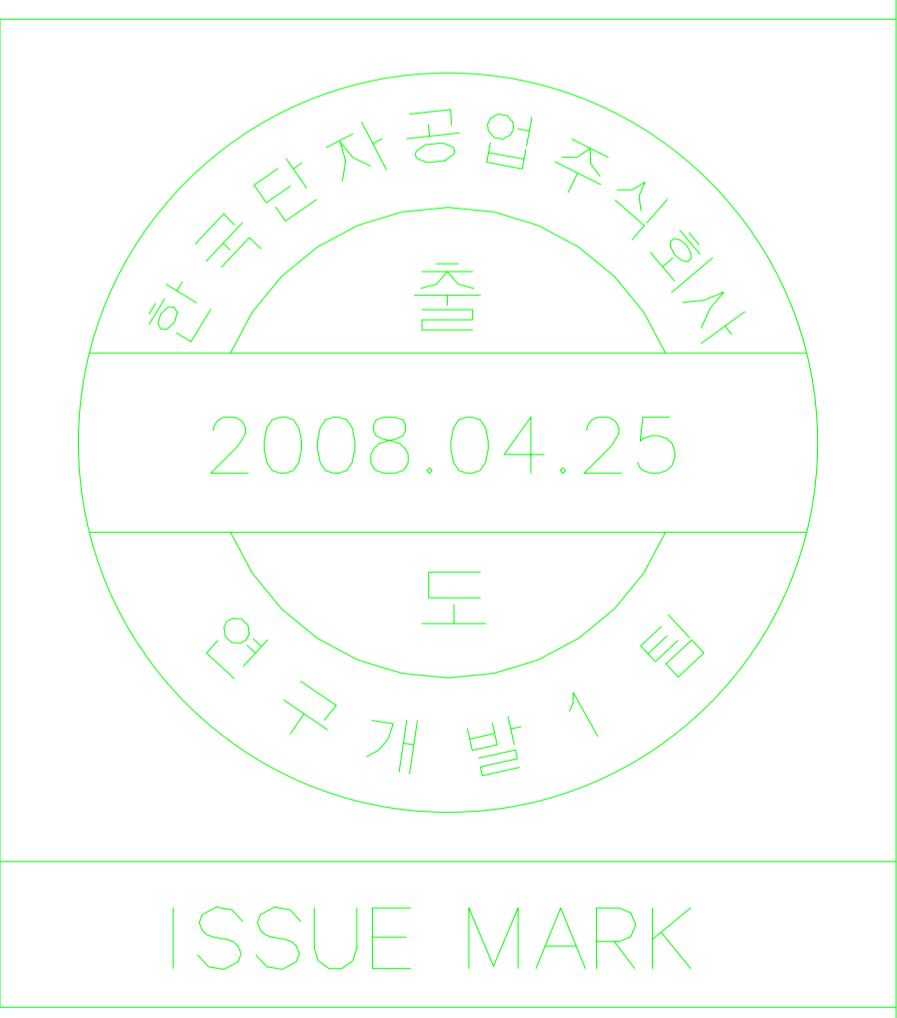


NOTE

- UNLESS OTHERWISE SPECIFIED ALL RADII TO BE 0.3 RADIUS.
- MUST BE FREE OF FLASH, SINK AND IMPERFECTION THAT AFFECT FUNCTION.
- APPLICABLE MALE TERMINAL : ST740771 / ST740959 / ST741015
- 6 HAZARDOUS SUBSTANCES IN PARTS (LEAD, MERCURY, CADMIUM, HEXAVALENT CHROMIUM, PBBs, PBDEs) SHALL NOT EXCEED THE MAXIMUM PERMISSIBLE CONCENTRATION PRESCRIBED UNDER EU ELV DIRECTIVE & RoHS REGULATION.

주 기

- 지시없는 C,R=0.30으로 한다.
- 기능상 유해한 흠, 변형 및 BURR가 없을것.
- 적용 상대 MALE TERMINAL : ST740771 / ST740959 / ST741015
- 제품내 함유된 6대 유해물질 (납, 수은, 카드뮴, 6가크롬, PBBs, PBDEs)은 EU ELV 지침 및 RoHS 법규에서 지정한 최대 허용 농도를 초과해서는 안된다.



				MATERIAL Copper Alloy 0.25t		KETA KOREA ELECTRIC TERMINAL CO., LTD.	
				FINISH SEE TABLE		CLASS 040III	
				WIRE RANGE		TYPE 7116-4231	
				INSULATION		PART NO. SEE TABLE	
LTP REVISION RECORD		DR.	CHK.	APP.	DATE	TOLERANCE EXCEPT AS NOTED	SCALE 5/1
DR. KYM '04.06.05		CHK.		APP.		PART NAME 040III FEMALE TM'L (YZK)	
CHK.		APP.					