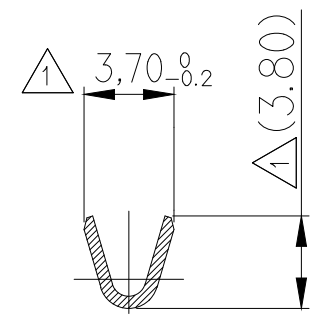
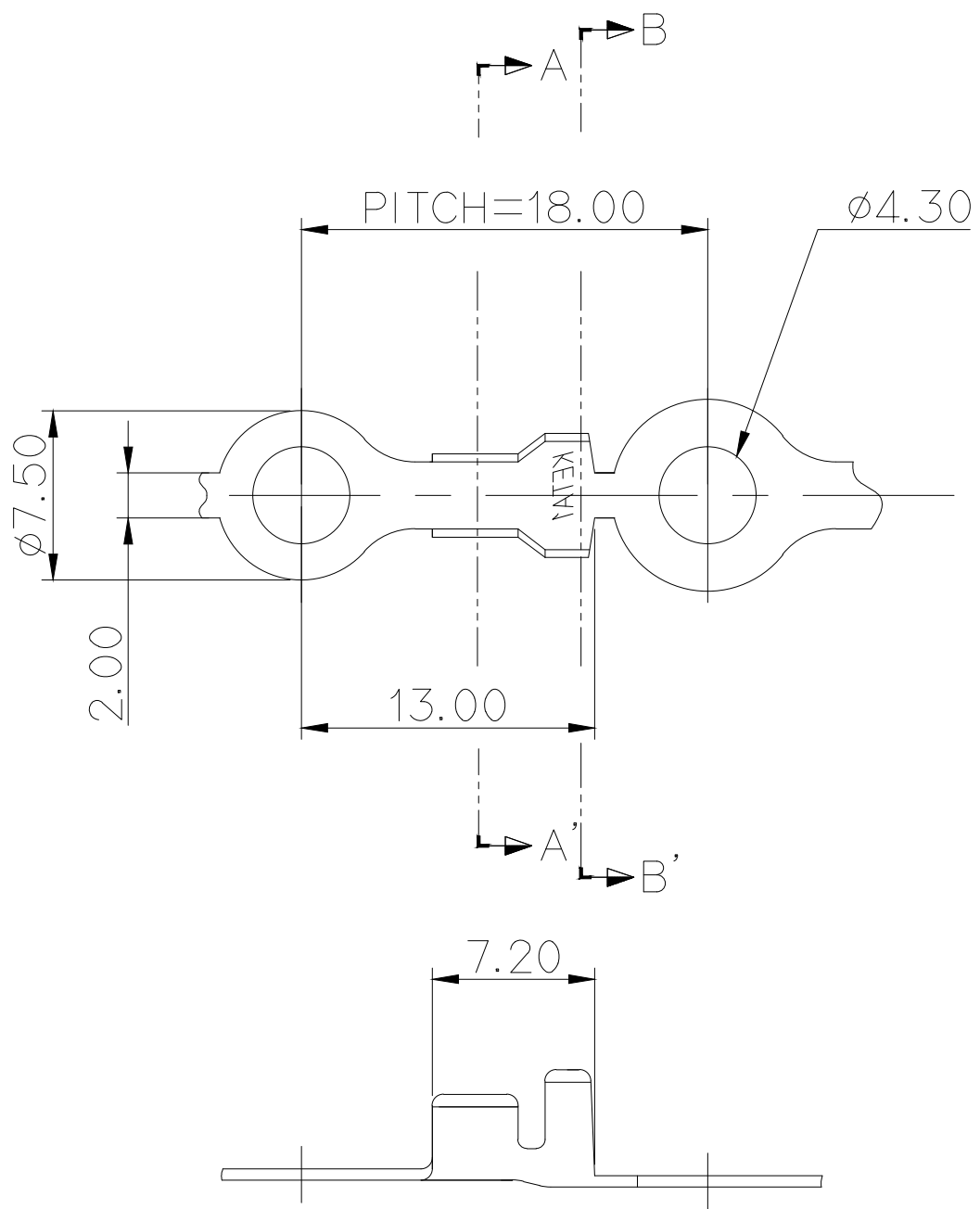
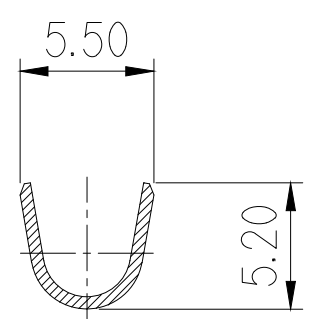


GENERAL TOLERANCE (TERMINAL)						USED ON
10MAX	50MAX	100MAX	250MAX	ANGLE	ECCENT	
±0.15	±0.2	±0.3	±0.5	±30'	0.1	



SECTION A-A'



SECTION B-B'

주 기

- 기능상 유해한 BURR 및 CRACK등이 없을 것.
- 제품 내 함유된 6대 유해물질 (납, 수은, 카드뮴, 6가 크롬 PBBs, PBDEs)은 EU ELV 지침 및 RoHS 법규에서 지정한 최대 허용농도를 초과해서는 안 된다.

No	FINISH
1	BRASS
2	BRASS/TIN
3	PRE-TIN

NOTE

- MUST BE FREE OF BURR, CRACK AND IMPERFECTION THAT AFFECT FUNCTION.
- 6 HAZARDOUS SUBSTANCE IN PARTS (LEAD, MERCURY, CADMIUM, HEXAVALENT CHROMIUM, PBBs, PBDEs) SHALL NOT EXCEED THE MAXIMUM PERMISSIBLE CONCENTRATION PRESCRIBED BY THE EU ELV DIRECTIVE & THE ROHS REGULATION.

APPROVED

2016-03-09

**KOREA ELECTRIC
TERMINAL CO., LTD.
Electronic Product
Development Team**

ISSUE MARK

					MATERIAL	BRASS 0.5t	KIET KOREA ELECTRIC ENGINEERED TERMINAL CO., LTD.	
					FINISH	SEE TABLE		
					WIRE RANGE	0.5~2.0mm ²	CLASS	INTERMICO
					INSULATION	Ø2.6~3.8mm ²	TYPE	SRA51-4
LTR	REVISION RECORD	DR.	CHK.	APP.	DATE	TOLERANCE EXCEPT AS NOTED	SCALE	PART NO.
						SEE TABLE	2/1	ST710095
DR.	김	'81.03.20	CHK.					
CHK.	KIM	'81.04.01	APP.	Wafu				
						PART NAME		
						RING TERMINAL(STUD:4.3)		