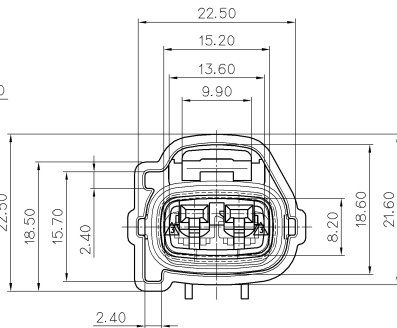


주 기

- 제품기능상 유해한 BURR, 변형 및 WELDLINE 등이 없을 것.
- 적용 TERMINAL : ST730623, 624, 625
- 적용 WIRE SEAL : MG681114, 1115, 1119, 1116
- 적용 HOUSING: MG661632 (FRT B/H 2P)
MG661750 (LICENCE B/H 2P)

△ 5. 제품내 함유된 6대 유해물질 (납, 수은, 카드뮴, 6가크롬, PBBs, PBDEs) 은 EU ELV 지침 및 RoHS 법규에서 지정한 최대 허용 농도를 초과해서는 안된다.



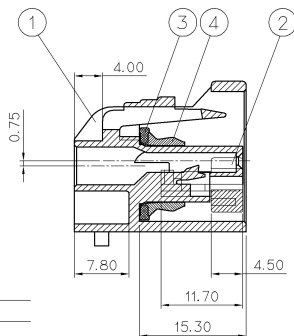
NOTE

- MUST BE FREE OF FLASH, WELDLINE AND IMPERFECTION THAT AFFECT FUNCTION.
- APPLICABLE TERMINAL : ST730623, 624, 625
- APPLICABLE WIRE SEAL : MG681114, 1115, 1119, 1116
- APPLICABLE HOUSING : MG661632 (FRT B/H 2P)
MG661750 (LICENCE B/H 2P)

△ 5. 6 HAZARDOUS SUBSTANCES IN PARTS (LEAD, MERCURY, CADMIUM, HEXAVALENT CHROMIUM, PBBs, PBDEs) SHALL NOT EXCEED THE MAXIMUM PERMISSIBLE CONCENTRATION PRESCRIBED UNDER EU ELV DIRECTIVE & RoHS REGULATION.

GENERAL TOLERANCE (HOUSING)					USED ON
10MAX	20MAX	45MAX	ANGLE	ECCENT	MG661632
±0.20	±0.25	±0.30	±30'	0.10	MG661750

NO.	MATERIAL	COLOR
0		NATURAL
1	P B T	RED
2		BLUE
20		JADE
3		YELLOW
4		GRAY
40		DARK GRAY
41		LIGHT GRAY
5		BLACK
6		DARK GREEN
7		BROWN
8		LIGHT GREEN
9		MAGENTA
11		GRANGE



SECTION A-A

NO.	PART NO.	PART NAME	MATERIAL	FINISH
1	MG671635	090 II W/P 2P REC. HS'G(IGN-RH)	SEE TABLE	SEE TABLE
2	MG671636	090 II W/P 2P REC. FRONT HOLDER		NATURAL
3	MG671638	090 II W/P 2P REC. 1/SEAL STOPPER	PBT	BLACK
4	P900781	090 II W/P 2P INNER SEAL	SILICONE	RED

△	필터시방서 B(S090310)에 제작성 (SPACER 10.00±0.05)을 적용함	KMH	9/28	08.12.15	MATERIAL	SEE TABLE		
△	시방서 0000902에 제작성 (유리복합 물질)	HEO	9/28	000504	FINISH	SEE TABLE		
△	시방서 000042에 제작성 (GREAR COVER 관련 사항)	HEO	9/28	000224	WIRE RANGE		CLASS	
LTR	REVISION RECORD	DR.	CHK	APP	DATE	INSULATION	TYPE	Y7283-7020-10
DR.	HEO '98.09.28	CHK	9/28	APP	9/28	SCALE	PART NO.	MG641637
CHK.		APP.				PART NAME	.090 II WP 2P REC. ASS'Y (IGN COILB : RH)	

ISSUE MARK