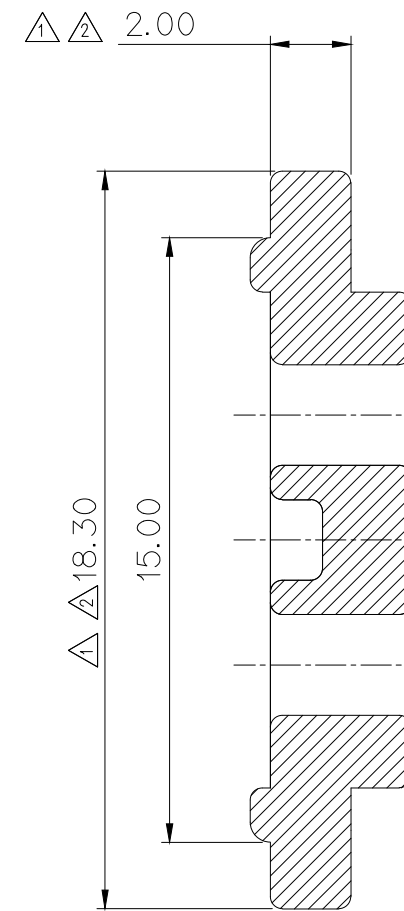
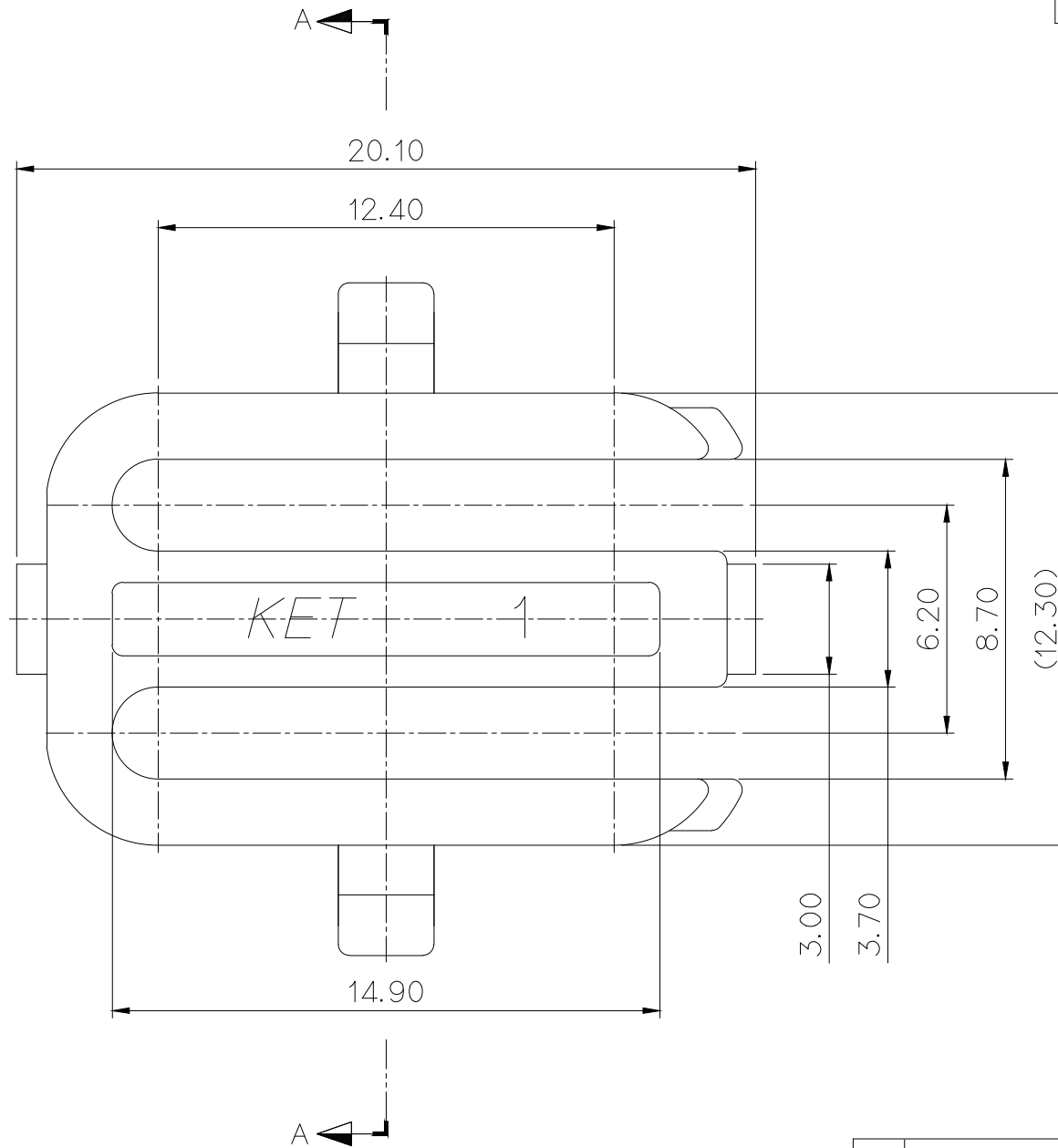


NO.	METERIAL	COLOR
0	P B T:	NATURAL
1		RED
2		BLUE
3		YELLOW
4		GRAY
5		BLACK
6		W/GREEN
7		BROWN
8	GREEN	



SECTION A-A



ISSUE MARK

주 기

- 기능상 유해한 BURR, 변형이 없을 것.
- 적용 HOUSING: MG610335, MG640337

		MATERIAL		SEE TABLE	KET KOREA ELECTRIC TERMINAL CO., LTD.	
		FINISH		BROWN		
		WIRE RANGE		CLASS	SWP	
		INSULATION		TYPE	7157-7816-30	
LTR	REVISION RECORD	DR.	CHK.	APP.	DATE	PART NO.
						MG630338
DR. K K J 02.09.91		CHK.				
CHK. HREYDHY-LGF		APP.		PART NAME		
				SWP 6P REAR HOLDER		
		TOLERANCE EXCEPT AS NOTED		±0.2	SCALE 5/1	