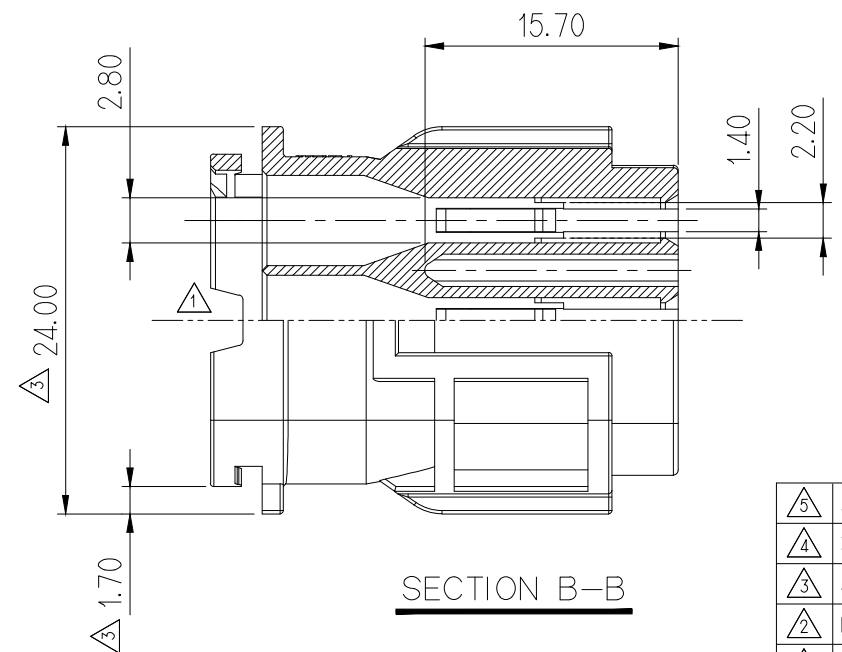
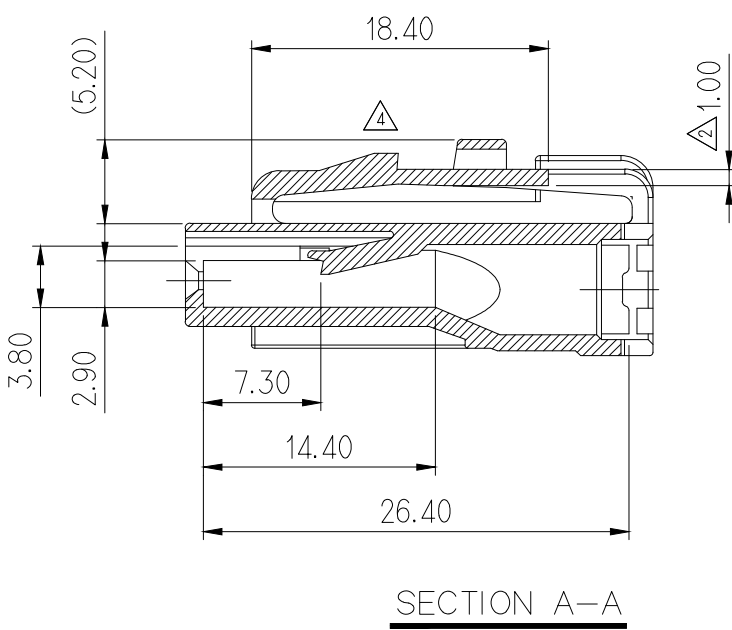
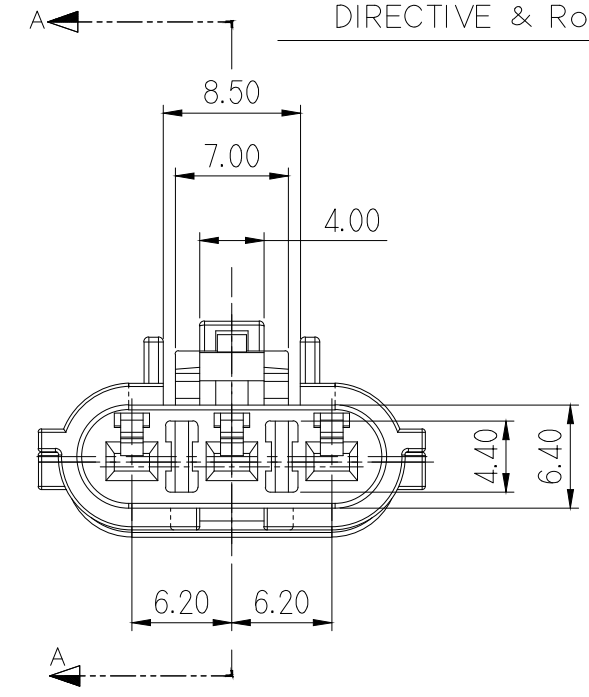
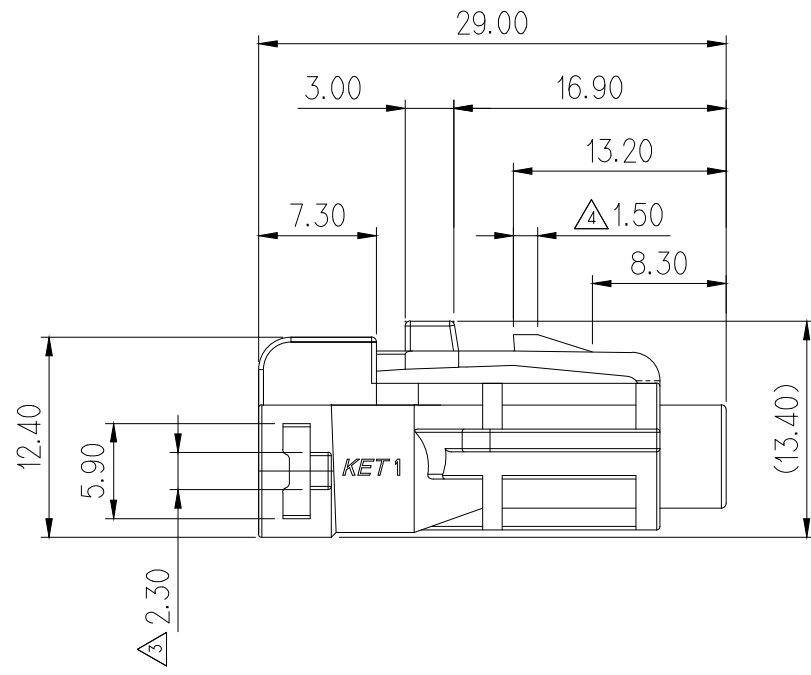
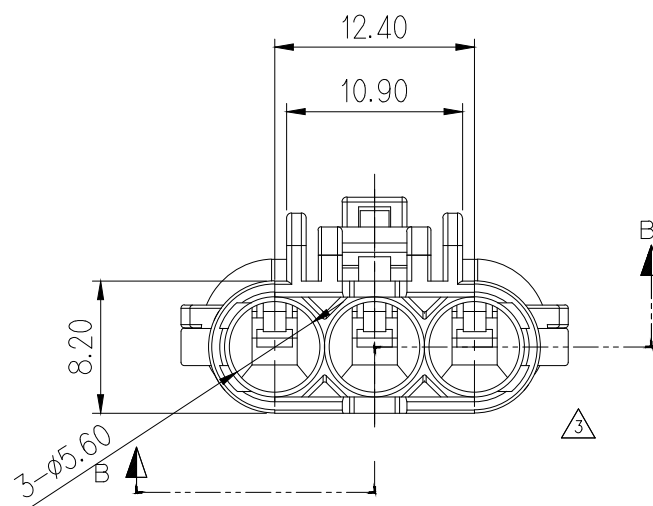
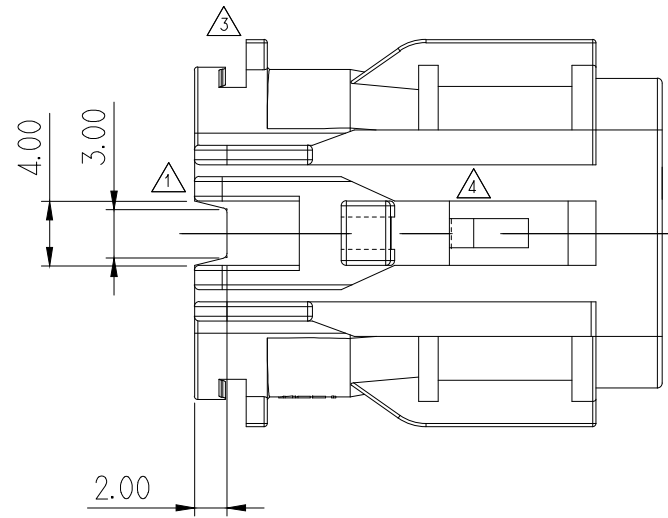


NO.	MATERIAL	COLOR
△*	0	NATURAL
	1	RED
	2	BLUE
	20	JADE
	3	YELLOW
△*	4	GRAY
	40	DARK GRAY
	41	LIGHT GRAY
△*	5	BLACK
	6	DARK GREEN
	7	BROWN
	8	LIGHT GREEN
	9	MAGENTA
	11	ORANGE

GENERAL TOLERANCE (HOUSING)							USED ON
10MAX	50MAX	100MAX	250MAX	250VR	ANGLE	ECCENT	
±0.2	±0.3	±0.55	±0.95	±1.4	±30'	0.1	

**NOTE**

- MUST BE FREE OF FLASH, SINK AND IMPERFECTION THAT AFFECT FUNCTION.
- APPLICABLE TERMINAL : ST730495, ST730496
- APPLICABLE HOUSING : MG640329  
APPLICABLE REAR HOLDER : MG630330
- 6 HAZARDOUS SUBSTANCES IN PARTS (LEAD, MERCURY, CADMIUM, HEXAVALENT CHROMIUM, PBBs, PBDEs) SHALL NOT EXCEED THE MAXIMUM PERMISSIBLE CONCENTRATION PRESCRIBED UNDER EU ELV DIRECTIVE & RoHS REGULATION.



**주 기**

- 제품기능상 유해한 BURR, 변형 및 WELDLINE 등이 없을 것.
- 적용 TERMINAL : ST730495, 496
- 적용 HOUSING : MG640329  
적용 REAR HOLDER : MG630330
- 제품내 함유된 6대 유해물질 (납, 수은, 카드뮴, 6가크롬, PBBs, PBDEs)은 EU ELV 지침 및 RoHS 법규에서 지정한 최대 허용 농도를 초과해서는 안된다.

**APPROVED**  
2017-04-21  
KOREA ELECTRIC  
TERMINAL CO., LTD.  
Korea Electric Terminal Co., LTD.

ISSUE MARK

△5	도면 전산화에 따른 재작성	LMJ / MKNO	KKJ	'05.05.20	MATERIAL	SEE TABLE		
△4	제품형상 개선에 따른 도면변경 3곳	WON	KKJ	JJH	FINISH	SEE TABLE		
△3	시방(S000012) 근거 수정 (5곳)	WK	KKJ	JJH	WIRE RANGE		CLASS	
△2	LOCKING LEVER 두께 수정 (HMC 요청)	JIN	KKJ	JJH	INSULATION		TYPE	
△1	R/H 작업성 개선	JIN	KKJ	JJH			7123-7434	
LTR	REVISION RECORD	DR.	CHK.	APP.	DATE	TOLERANCE EXCEPT AS NOTED	PART NO.	
DR.	경	1991.10.11	CHK.			SCALE	MG610327	
CHK.	J.W.KCC		APP.	Watanabe		2/1		
							PART NAME	SWP 3F HOUSING

△7	ECO-1702-271 근거 도면 재작성	SY.L			'17.02.16
△6	도면 전산화에 따른 재작성	LMJ / MKNO	KKJ		'05.05.20