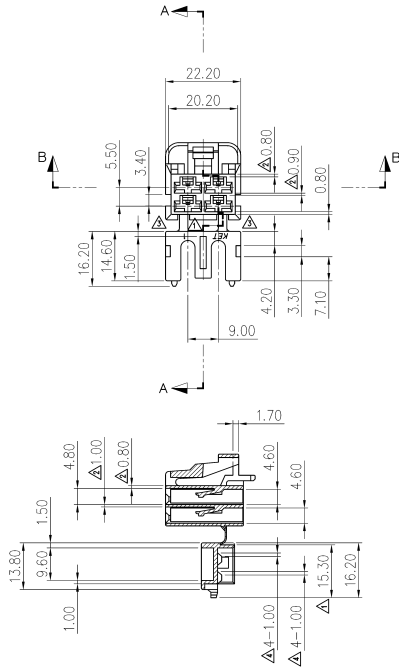
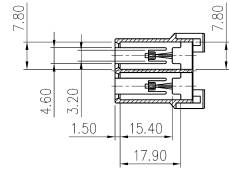
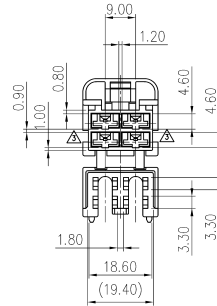
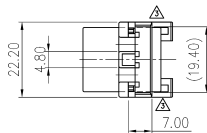
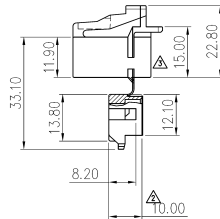
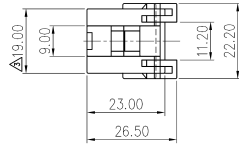


GENERAL TOLERANCE (HOUSING)					USED ON
10MAX	20MAX	45MAX	ANGLE	ECCENT	
±0.2	±0.25	±0.3	±30'	0.1	



SECTION A-A



SECTION B-B

NO.	MATERIAL	COLOR
0		NATURAL
1		RED
2	NYLON	BLUE
3		YELLOW
40		DARK GRAY
41		LIGHT GRAY
5		BLACK
6		DARK GREEN
7		BROWN
8		LIGHT GREEN
9		MAGENTA
11		ORANGE

주 기

- 1.기능상 유해한 BURR 및 WELDLINE등이 없음.
- 2.적용 TERMINAL: ST730467, 468, 469
- 적용 HOUSING: MG620266



ISSUE MARK

REAR HOLDER 형상 변경	JE	02.10.22	MATERIAL	SEE TABLE		
시방서(980174) 근거 수정	JANG	'98.08.19	FINISH	SEE TABLE		
최수변경	JIN	'94.12.28	WIRE RANGE		CLASS	.250
형상변경(인체) 개안	LEV	'93.12.15	INSULATION		TYPE	
LTR REVISION RECORD	DR	CHK	APP	DATE	SCALE	PART NO.
DR. 김경준. 92.11.11	CHK. CHOI				1/1	MG610267
CHK. S. W. Lee	APP. Hwang				PART NAME	250 DOUBLE LOCK 4P PLUG HOUSING