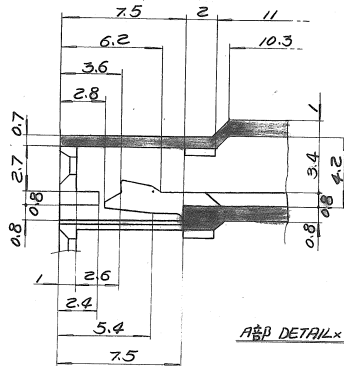
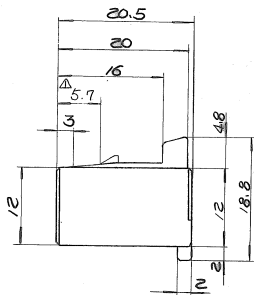
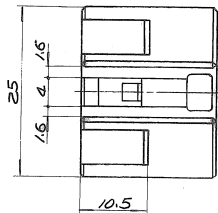


단위 : DIMENSIONS IN MM

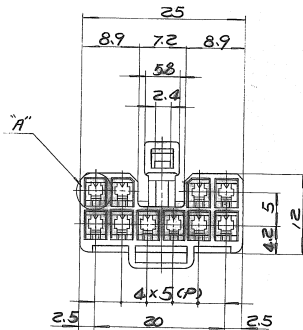
SERIAL NUMBER
ME610056

USED ON

ME620055



A&B DETAIL x 5



CUSTOMER DRAWING

		재 (MATERIAL):	NYLON		KOREA ELECTRIC TERMINAL CO., LTD.
		표면처리 (FINISH):	NATURAL		종 (CLASS):
		전선구경 (WIRE RANGE):		형식 (TYPE):	7123-1300
		절연경 (INSULATION DIA):		제본번호 (NO.):	ME610056
LTR		DR	CHK	DATE	
DR		CHK	DATE	SCALE	
CHK		APR		SCALE	2.3 mm PLUG HSG. 10P