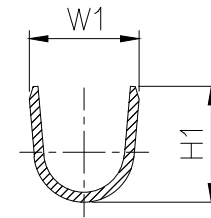
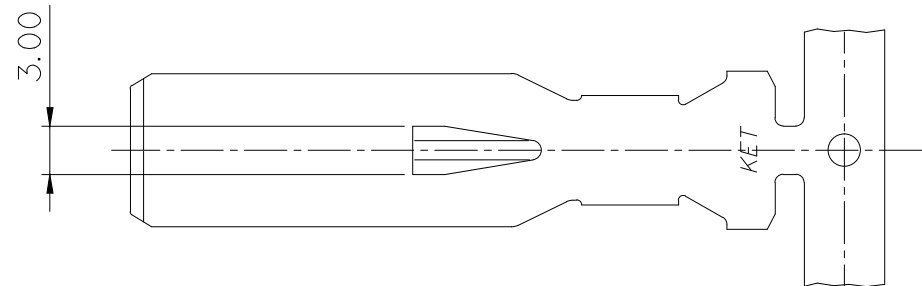
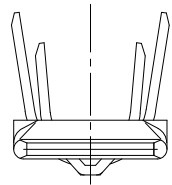
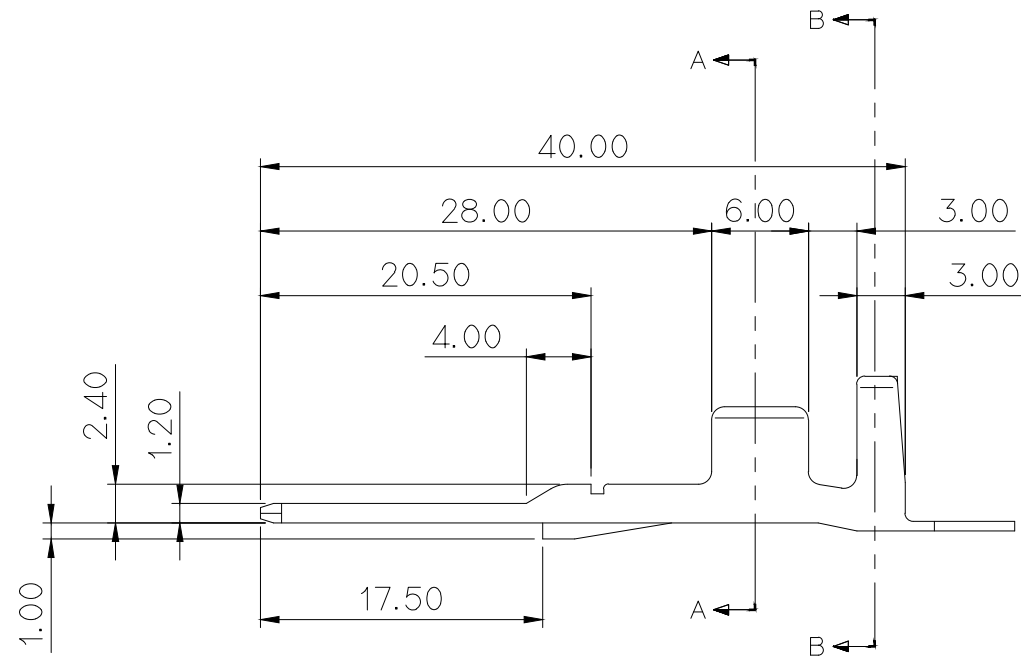
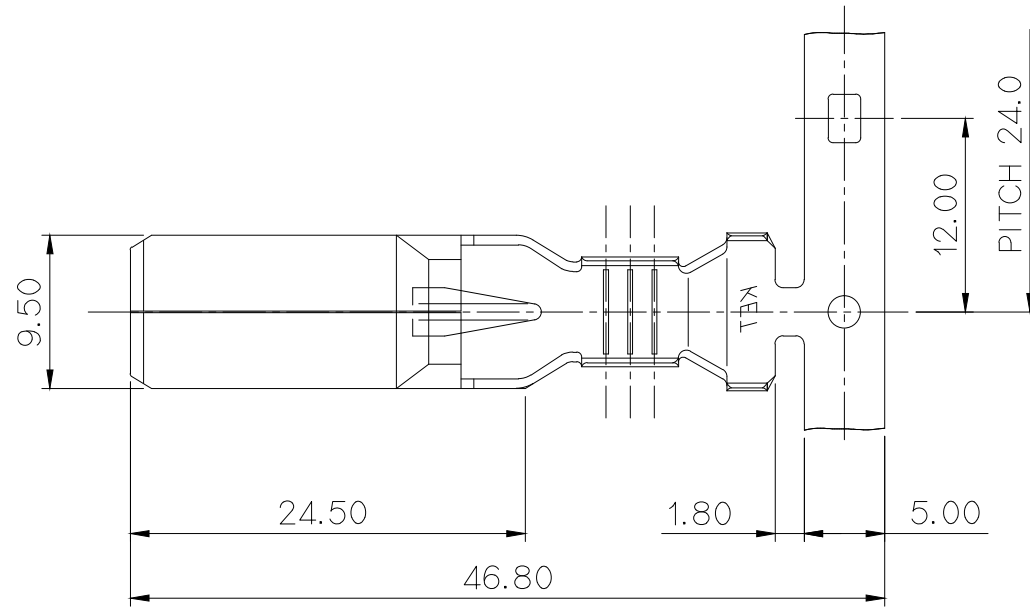
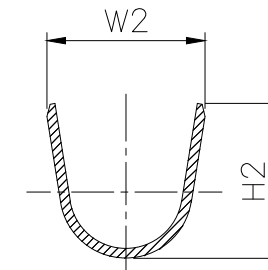


GENERAL TOLERANCE (TERMINAL)						USED ON
10 MAX	20 MAX	45 MAX	45 VR	ANGLE	ECCENT	
±0.2	±0.25	±0.3	±0.5	±30'	0.1	



SECTION A-A



SECTION B-B



주 기

1. TERMINAL 결합 시 유해한 BURR 및 흠집이 없을 것.
- △ 2. MATERIAL : Copper Alloy, t=0.6-0.03 (PRE-TIN)
3. FINISH : PRE-TIN
4. 적용 HOUSING : MG620558(2P), MG620659(1P)
5. 적용 FEMALE TERMINAL : YAZAKI 7116-3250, 3251



DIE NO ISSUE MARK

NO.	PART NO.	PART NAME	DIMENSION				WIRE RANGE (mm ²)
			W1	H1	W2	H2	
1	ST740538	375 TAB TERMINAL(S)	4.8	5.2	7.2	8.6	AVS 3.0
2	ST740539	375 TAB TERMINAL(M)	6.8	7.2	9.8	9.6	AVS 5.0, AV 8.0 AVS 8.0

MATERIAL	SEE TABLE	 KOREA ELECTRIC TERMINAL CO., LTD.
FINISH	SEE TABLE	
WIRE RANGE		CLASS 58L
INSULATION		TYPE 7116-3250, 3251
LTR	REVISION RECORD	PART NO.  ST740538 ST740539
DR. SIK.	'93.07.05	SCALE 2/1
CHK. JWK	07.05	PART NAME .375 TAB TERMINAL
APP. Watanabe	07.05	