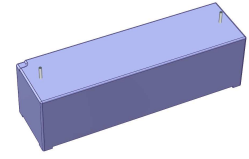


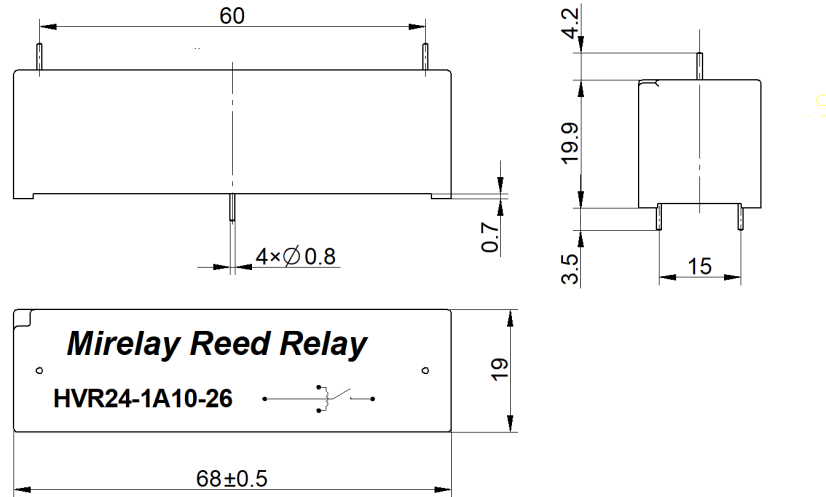
HVR24-1A10-26

- High Voltage Reed Relay
- Low Contact Resistance
- Breakdown up to 10KV
- Excellent Lifetime Characteristics
- Custom Design Available



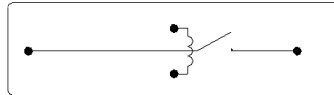
[Outline Dimension]

Unit: mm Scale: 1/1



[Pin Layout]

[Top View]



Order Information

HVR24-1A10-26

Coil Parameters		Relay Parameters	
1 Nominal coil voltage	24 VDC	1 Min Breakdown Voltage	10K VDC
2 Max Operating voltage	29 VDC	2 Dielectric Strength coil/contact	15K VDC
3 Max Pull-in voltage	18 VDC	3 Insulation Resistance coil/contact	1.00E+12ohm
4 Min Drop-out voltage	2 VDC	4 Operate Time, incl. Bounce	3.0ms
5 Coil Resistance	1000 ohm	5 Reset Time	1.5ms
Contact Parameters		6 Capacitance Across Contacts	0.8pF
1 Contact Form	1 Form A	7 Storage Temperature	-35~+105°C
2 Max Contact Rating	50 W	8 Operating Temperature	-20~+70°C
3 Max Switch Voltage	7.5KV ACpeak/DC	9 Soldering Temperature	5 sec. max 260°C
4 Max Switch Current	3.0 A		
5 Max Carrying Current	5.0 A		
6 Min Breakdown Voltage	10K VDC		
7 Max Contact Resistance	150 mohm		

Version: 01	Designed by		TITLE	
	Checked by		High Voltage Reed Relay	
	Approved by		P/N	Scale: 1:1
	Date	27th, June, 2023		HVR24-1A10-26