

355018RFT ✓ ACTIVE

CGS | CGS 3550

TE Internal #: 3-2176403-1

18  $\Omega$ , Thick Metal Film, Power Resistor, 1 %, 2 Termination, Taped & Reeled, 5 W,  $\pm 100$  ppm/ $^{\circ}\text{C}$ , Solder, Height .043 in [1.1 mm], CGS 3550

[View on TE.com >](#)



Passive Components > Resistors > Surface Mount Resistors



Resistor Type: **Power Resistor**

Number of Terminations: **2**

Packaging Method: **Taped & Reeled**

Passive Component Tolerance: **1 %**

Element Type: **Thick Metal Film**

## Features

### Product Type Features

Resistor Type	Power Resistor
Element Type	Thick Metal Film

### Configuration Features

Number of Resistors	1
---------------------	---

### Electrical Characteristics

Operating Voltage	300 V
Passive Component Tolerance	1 %
Resistance Class	Up to 1k $\Omega$
Resistance Value	18 $\Omega$
Power Rating	5 W

### Termination Features

Number of Terminations	2
Surface Mount Resistor Termination Type	Solder



### Dimensions

Product Height	1.1 mm[.043 in]
Product Length	11 mm[.433 in]
Product Width	5 mm[.197 in]

### Usage Conditions

Temperature Coefficient	$\pm 100$ ppm/ $^{\circ}\text{C}$
-------------------------	-----------------------------------

### Packaging Features

Packaging Method	Taped & Reeled
------------------	----------------

### Product Compliance

[For compliance documentation, visit the product page on TE.com>](#)

EU RoHS Directive 2011/65/EU	Compliant with Exemptions
EU ELV Directive 2000/53/EC	Compliant with Exemptions
China RoHS 2 Directive MIIT Order No 32, 2016	Restricted Materials Above Threshold
EU REACH Regulation (EC) No. 1907/2006	Current ECHA Candidate List: JUNE 2023 (235) Candidate List Declared Against: JUNE 2023 (235) Does not contain REACH SVHC
Halogen Content	Low Halogen - Br, Cl, F, I < 900 ppm per homogenous material. Also BFR/CFR/PVC Free
Solder Process Capability	Reflow solder capable to 260 $^{\circ}\text{C}$

#### Product Compliance Disclaimer

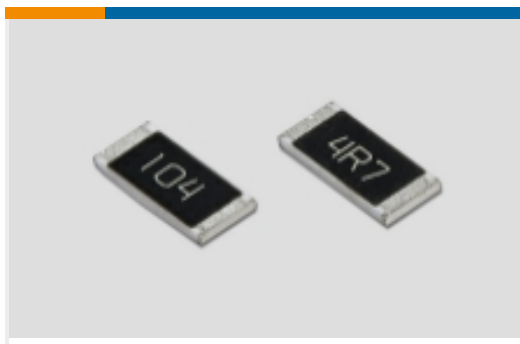
This information is provided based on reasonable inquiry of our suppliers and represents our current actual knowledge based on the information they provided. This information is subject to change. The part numbers that TE has identified as EU RoHS compliant have a maximum concentration of 0.1% by weight in homogenous materials for lead, hexavalent chromium, mercury, PBB, PBDE, DBP, BBP, DEHP, DIBP, and 0.01% for cadmium, or qualify for an exemption to these limits as defined in the Annexes of Directive 2011/65/EU (RoHS2). Finished electrical and electronic equipment products will be CE marked as required by Directive 2011/65/EU. Components may not be CE marked. Additionally, the part numbers that TE has identified as EU ELV compliant have a maximum concentration of 0.1% by weight in homogenous materials for lead, hexavalent chromium, and mercury, and 0.01% for cadmium, or qualify for an exemption to these limits as defined in the Annexes of Directive 2000/53/EC (ELV). Regarding the REACH Regulation, the information TE provides on SVHC in articles for this part number is based on the latest European Chemicals Agency (ECHA) 'Guidance on requirements for substances in articles' posted at this URL: <https://echa.europa.eu/guidance-documents/guidance-on-reach>

### Compatible Parts



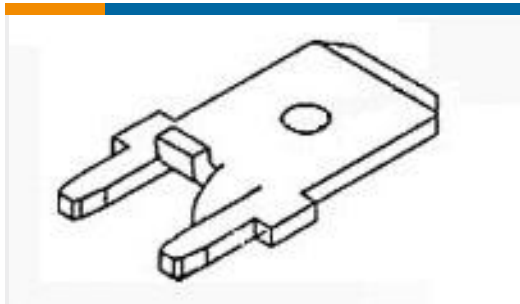
 TE Part # 2-2176404-2 3550 100K 1%	 TE Part # 3-2176405-2 3550 100K 5%	 TE Part # 4-2176403-9 3550 100R 1%	 TE Part # 9-2176404-5 3550 100R 5%
 TE Part # 9-2176403-7 3550 10K 1%	 TE Part # 2-2176405-0 3550 10K 5%	 TE Part # 7-2176404-0 3550 10M 1%	 TE Part # 5-2176405-6 3550 10M 5%
 TE Part # 2-2176403-5 3550 10R 1%	 TE Part # 8-2176404-3 3550 10R 5%	 TE Part # 2-2176404-3 3550 110K 1%	 TE Part # 5-2176403-0 3550 110R 1%
 TE Part # 9-2176403-8 3550 11K 1%	 TE Part # 2-2176403-6 3550 11R 1%	 TE Part # 2-2176404-4 3550 120K 1%	 TE Part # 3-2176405-3 3550 120K 5%
 TE Part # 5-2176403-1 3550 120R 1%	 TE Part # 9-2176404-6 3550 120R 5%	 TE Part # 9-2176403-9 3550 12K 1%	 TE Part # 2-2176405-1 3550 12K 5%

Also in the Series | [CGS 3550](#)

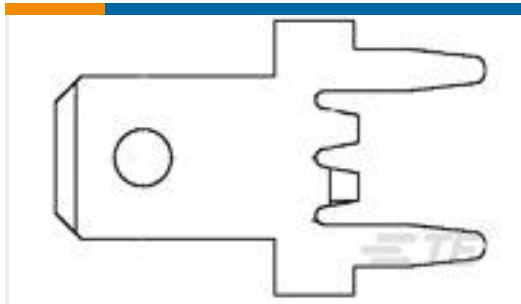


Surface Mount Resistors(254)

## Customers Also Bought



TE Part #1217861-1  
250 FASTON,PCB TAB,TCBR



TE Part #1217124-1  
187 FASTON,PCB TAB,TNBR



TE Part #2-2176403-5  
3550 10R 1%



TE Part #2-2176403-9  
3550 15R 1%



TE Part #3-2176403-0  
3550 16R 1%



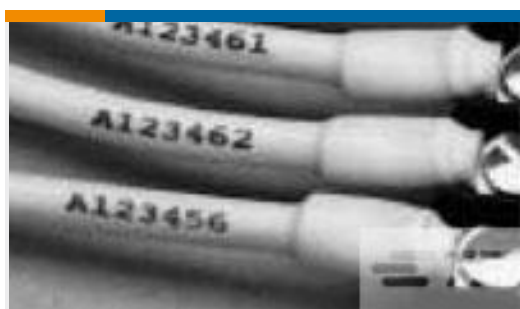
TE Part #3-2176403-7  
3550 33R 1%



TE Part #4-2176339-9  
CRGCQ 0603 100K 1%



TE Part #2-2176339-2  
CRGCQ 0603 560R 1%



TE Part #5053162047  
RNF-100-3/8-4-STK



TE Part #2176087-4  
RP 1J 0.166W 73R2 0.1% 25PPM 1K RL

## Documents

### Product Drawings

[3550 18R 1%](#)

English

### CAD Files

[3D PDF](#)

3D

### Customer View Model

[ENG\\_CVM\\_CVM\\_3-2176403-1\\_A.2d\\_dxf.zip](#)

355018RFT

18  $\Omega$ , Thick Metal Film, Power Resistor, 1 %, 2 Termination, Taped & Reeled, 5 W,  $\pm 100$  ppm/ $^{\circ}\text{C}$ , Solder, Height .043 in [1.1 mm], CGS 3550



English

Customer View Model

[ENG\\_CVM\\_CVM\\_3-2176403-1\\_A.3d\\_igs.zip](#)

English

Customer View Model

[ENG\\_CVM\\_CVM\\_3-2176403-1\\_A.3d\\_stp.zip](#)

English

By downloading the CAD file I accept and agree to the [Terms and Conditions](#) of use.

## Datasheets & Catalog Pages

[SMD HIGH POWER RESISTORS - TYPE 3550 SERIES](#)

English