



AMP | Micro Timer II

TE Internal #: 962875-1

Automotive Terminals, Receptacle, Mating Tab Width 1.6 mm [.063 in], Tab Thickness .6 mm [.024 in], 24 – 20 AWG Wire Size, Micro Timer II

[View on TE.com >](#)

Terminals & Splices > Automotive Terminals > TIMER, RECEPTACLE AND TAB



Terminal Type: **Receptacle**

Mating Tab Width: **1.6 mm [.063 in]**

Mating Tab Thickness: **.6 mm [.024 in]**

Terminal Transmits: **0 – 24 A (Low Power)**

Wire Size: **24 – 20 AWG**

[All TIMER, RECEPTACLE AND TAB \(330\)](#)

Features

Product Type Features

Sealable	Yes
Primary Locking Feature	Locking Lance

Body Features

Terminal Seal Type	Single Wire Seal (SWS)
--------------------	------------------------

Contact Features

Contact Size	1.6mm
Contact Fabrication	Stamped & Formed
Wire Contact Termination Area Plating Material	Tin
Typical Current Rating	10 A
Crimp Type	F-Crimp
Terminal Type	Receptacle
Mating Tab Width	1.6 mm[.063 in]
Mating Tab Thickness	.6 mm[.024 in]
Interface Plating	Tin (Sn)

Termination Features

Termination Method to Wire & Cable	Crimp
------------------------------------	-------



Product Terminates To

Wire

Dimensions

Compatible Insulation Diameter Range

2.8 mm[.11 in]

Wire Size

.2 – .5 mm²

Wire Size Search

20 AWG, 21 AWG, 22 AWG, 23 AWG, 24 AWG

Tab Length

19 mm[.748 in]

Usage Conditions

Insulation Option

Uninsulated

Operating Temperature (Max)

120 °C[248 °F]

Operating Temperature Range

-40 – 120 °C[-40 – 248 °F]

Operation/Application

Compatible With Wire Base Material

Copper

Industry Standards

Compatible With Agency/Standards Products

IEC 664/664A (DIN VDE 0110)

Packaging Features

Packaging Quantity

4000

Packaging Method

Reel

Other

Terminal Transmits

0 – 24 A (Low Power)

Product Compliance

For compliance documentation, visit the product page on [TE.com](https://www.te.com)>

EU RoHS Directive 2011/65/EU

Compliant

EU ELV Directive 2000/53/EC

Compliant

China RoHS 2 Directive MIIT Order No 32, 2016

No Restricted Materials Above Threshold

EU REACH Regulation (EC) No. 1907/2006

Current ECHA Candidate List: JUNE 2023 (235)
 Candidate List Declared Against: JUNE 2023 (235)
 Does not contain REACH SVHC

Halogen Content

Low Halogen - Br, Cl, F, I < 900 ppm per homogenous material. Also BFR/CFR/PVC Free

Solder Process Capability

Not applicable for solder process capability

Product Compliance Disclaimer

This information is provided based on reasonable inquiry of our suppliers and represents our current actual knowledge based on the information they provided. This information is subject to change. The part numbers that TE has identified as EU RoHS compliant have a maximum concentration of 0.1% by weight in homogenous materials for lead, hexavalent chromium, mercury, PBB, PBDE, DBP, BBP, DEHP, DIBP, and 0.01% for cadmium, or qualify for an exemption to these limits as defined in the Annexes of Directive 2011/65/EU (RoHS2). Finished electrical and electronic equipment products will be CE marked as required by Directive 2011/65/EU. Components may not be CE marked. Additionally, the part numbers that TE has identified as EU ELV compliant have a maximum concentration of 0.1% by weight in homogenous materials for lead, hexavalent chromium, and mercury, and 0.01% for cadmium, or qualify for an exemption to these limits as defined in the Annexes of Directive 2000/53/EC (ELV). Regarding the REACH Regulation, the information TE provides on SVHC in articles for this part number is based on the latest European Chemicals Agency (ECHA) 'Guidance on requirements for substances in articles' posted at this URL: <https://echa.europa.eu/guidance-documents/guidance-on-reach>

Compatible Parts



TE Part # CAT-T4827-CH8172
Timer Connector Housing



TE Part # 1743632-2
HYB SLD 36P PLUG ASSY



TE Part # 539960-1
AUSZ-WKZ,MICRO TIM.



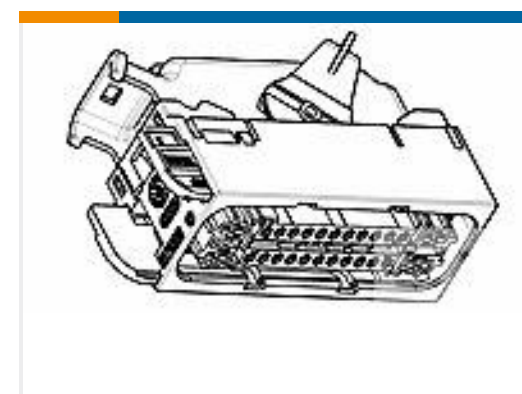
TE Part # 963530-1
EINZELLEITERDICHTNG



TE Part # 964971-1
EINZELLEITERDICHTNG



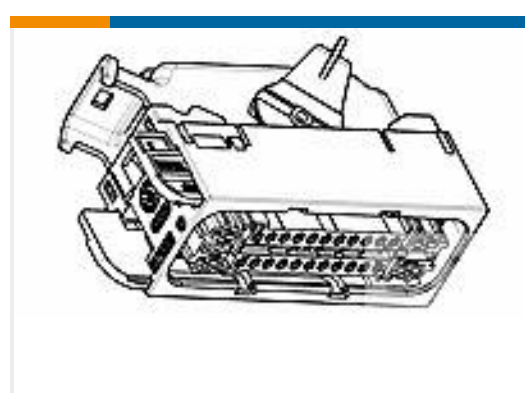
TE Part # 5-1579018-6
INSERTION TOOL



TE Part # 1-1379208-1
26W ASSY RECEPTACLE HSG



TE Part # 1-1743059-2
MT-2/JPT SLD 36P PLUG ASSY BLK



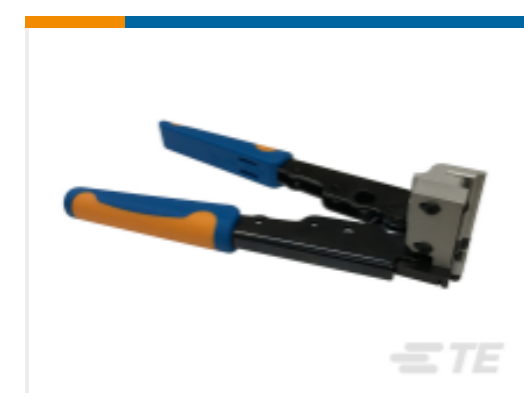
TE Part # 1379208-3
26W ASSY RECEPTACLE HSG



TE Part # 2151167-1
OCEAN_2_0_APPLICATOR-S-062F1300



TE Part # 2151167-2
OCEAN_2_0_APPLICATOR-S-062F1300



TE Part # 2305570-1
Strip Terminal Cutter-Side Feed-No Crimp

TE Part # 7-2151167-1
OCEAN_2.0_APPLICATOR-S-062F1300

TE Part # 7-2151167-2
OCEAN_2.0_APPLICATOR-S-062F1300

KIT
REPRESENTATION ONLY
TE Part # 7-2151167-7
OCEAN_2.0_SPARE_PART_KIT-062F1300

TE Part # 953756-1
47W RCPT HSG ASSY

TE Part # 1379208-1
26W ASSY RECEPTACLE HSG

TE Part # 5-2151167-1
OCEAN_2.0_APPLICATOR-S-062F1300

TE Part # 1379208-4
26W ASSY RECEPTACLE HSG

TE Part # 953756-7
47W RCPT HSG ASSY

Also in the Series | Micro Timer II

Automotive Connector Caps & Covers (1)

Automotive Connector Locks & Position Assurance(1)

Automotive Housings(32)

Automotive Terminals(29)

Connector Seals & Cavity Plugs(1)

Insertion & Extraction Tools(4)

Customers Also Bought

TE Part #2005575-1
060/110/250 LIF 38P PLUG ASSY WHI

TE Part #2005431-1
025/090 HYB 34P PLUG ASSY

TE Part #1-2203773-1
4POS, MCON 1.2 CB REC 1p TL SEALED

TE Part #1-2355507-1
3POS, MCON 1.2, REC HSG ASSY, SLD, COD A



Documents

Product Drawings

MT2 REC 1.6 Contact SWS Sn

English

CAD Files

3D PDF

3D

Customer View Model

[ENG_CVM_962875-1_N1.3d_igs.zip](#)

English

Customer View Model

[ENG_CVM_962875-1_N1.3d_stp.zip](#)

English

Customer View Model

[ENG_CVM_962875-1_N1.2d_dxf.zip](#)

English

By downloading the CAD file I accept and agree to the [Terms and Conditions](#) of use.

Datasheets & Catalog Pages

Timer Interconnection System

English

Product Specifications

Application Specification

German

Application Specification

English



Application Specification

English

Application Specification

English

Instruction Sheets

Instruction Sheet (non U.S.)

French

Instruction Sheet (non U.S.)

French