

1-353908-6 ✓ ACTIVE



AMP Mini CT

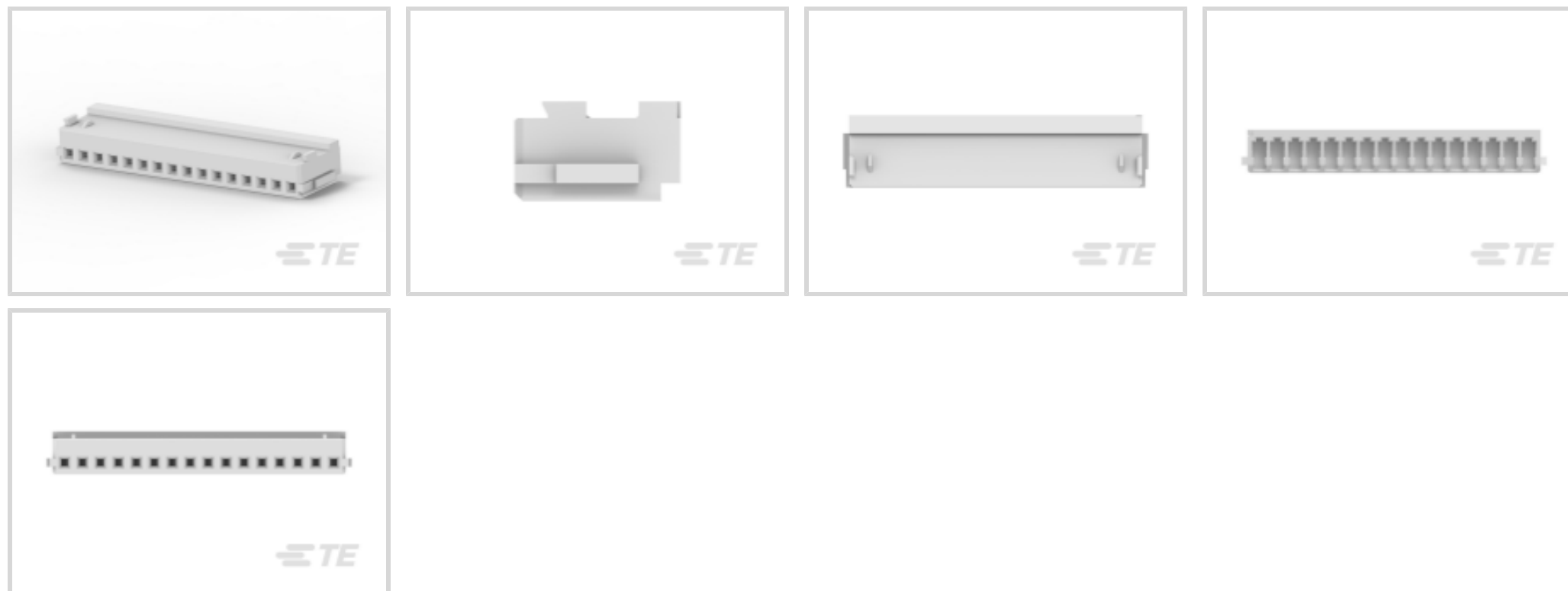
TE Internal #: 1-353908-6

Housing, Receptacle, Wire-to-Panel / Wire-to-Board / Wire-to-Wire,
16 Position, .059 in [1.5 mm] Centerline, Crimp, 1 Row, White, AMP
Mini CT

[View on TE.com >](#)

Connectors > PCB Connectors > Wire-to-Board Connectors > Wire-to-Board Connector Assemblies & Housings >

Mini Common Termination (CT) Housings



Connector Product Type: **Housing**

Connector & Housing Type: **Receptacle**

Connector System: **Wire-to-Board, Wire-to-Panel, Wire-to-Wire**

Number of Positions: **16**

Centerline (Pitch): **1.5 mm [.059 in]**

[All Mini Common Termination \(CT\) Housings \(38\)](#)

Features

Product Type Features

| | |
|-----------------------------------|--|
| Connector Product Type | Housing |
| Connector & Housing Type | Receptacle |
| Connector System | Wire-to-Board, Wire-to-Panel, Wire-to-Wire |
| Sealable | No |
| Connector & Contact Terminates To | Wire & Cable |

Configuration Features

| | |
|---------------------|----|
| Number of Positions | 16 |
| Number of Rows | 1 |

Electrical Characteristics

| | |
|-----------------------|----------------|
| Insulation Resistance | 500 M Ω |
| Operating Voltage | 50 VAC |



Body Features

| | |
|-----------------------|-------|
| Primary Product Color | White |
|-----------------------|-------|

Contact Features

| | |
|------------------------------|--------|
| Contact Layout | Inline |
| Contact Type | Socket |
| Contact Current Rating (Max) | 3 A |

Termination Features

| | |
|------------------------------------|-------|
| Termination Method to Wire & Cable | Crimp |
|------------------------------------|-------|

Mechanical Attachment

| | |
|-------------------------|----------------------------|
| Strain Relief | Without |
| Panel Mount Feature | Without |
| PCB Mount Retention | Without |
| Mating Retention Type | Detent |
| Mating Retention | With |
| Connector Mounting Type | Cable Mount (Free-Hanging) |

Housing Features

| | |
|-----------------------------|------------------|
| Housing Entry Configuration | Both Ends Closed |
| Housing Material | Nylon 66 |
| Centerline (Pitch) | 1.5 mm [.059 in] |

Dimensions

| | |
|--------------------------------------|--------------------------------|
| Connector Length | 25.55 mm [1.006 in] |
| Connector Height | 6 mm [.236 in] |
| Connector Width | 3.6 mm [.141 in] |
| Compatible Insulation Diameter Range | .85 – 1.05 mm [.033 – .041 in] |
| Wire Size | .05 – .22 mm ² |

Usage Conditions

| | |
|-----------------------------|-----------------------------|
| Operating Temperature Range | -30 – 105 °C [-22 – 221 °F] |
|-----------------------------|-----------------------------|

Operation/Application

| | |
|---------------------|----------------|
| Circuit Application | Power & Signal |
|---------------------|----------------|

Industry Standards

| | |
|---|-------------------------------|
| Glow Wire Rating | Standard Part - Not Glow Wire |
| Compatible With Agency/Standards Products | CSA, UL |

| | |
|------------------------|----------|
| UL Flammability Rating | UL 94V-0 |
|------------------------|----------|

Packaging Features

| | |
|--------------------|-----|
| Packaging Quantity | 500 |
| Packaging Method | Box |

Product Compliance

[For compliance documentation, visit the product page on TE.com>](#)

| | |
|---|---|
| EU RoHS Directive 2011/65/EU | Compliant |
| EU ELV Directive 2000/53/EC | Compliant |
| China RoHS 2 Directive MIIT Order No 32, 2016 | No Restricted Materials Above Threshold |
| EU REACH Regulation (EC) No. 1907/2006 | Current ECHA Candidate List: JUNE 2023 (235) Candidate List Declared Against: JUNE 2023 (235) Does not contain REACH SVHC |
| Halogen Content | Low Halogen - Br, Cl, F, I < 900 ppm per homogenous material. Also BFR/CFR/PVC Free |
| Solder Process Capability | Not applicable for solder process capability |

Product Compliance Disclaimer

This information is provided based on reasonable inquiry of our suppliers and represents our current actual knowledge based on the information they provided. This information is subject to change. The part numbers that TE has identified as EU RoHS compliant have a maximum concentration of 0.1% by weight in homogenous materials for lead, hexavalent chromium, mercury, PBB, PBDE, DBP, BBP, DEHP, DIBP, and 0.01% for cadmium, or qualify for an exemption to these limits as defined in the Annexes of Directive 2011/65/EU (RoHS2). Finished electrical and electronic equipment products will be CE marked as required by Directive 2011/65/EU. Components may not be CE marked. Additionally, the part numbers that TE has identified as EU ELV compliant have a maximum concentration of 0.1% by weight in homogenous materials for lead, hexavalent chromium, and mercury, and 0.01% for cadmium, or qualify for an exemption to these limits as defined in the Annexes of Directive 2000/53/EC (ELV). Regarding the REACH Regulation, the information TE provides on SVHC in articles for this part number is based on the latest European Chemicals Agency (ECHA) 'Guidance on requirements for substances in articles' posted at this URL: <https://echa.europa.eu/guidance-documents/guidance-on-reach>

Compatible Parts






TE Part # 3-292207-6
MINI CT SGL DIP V 16P BLACK



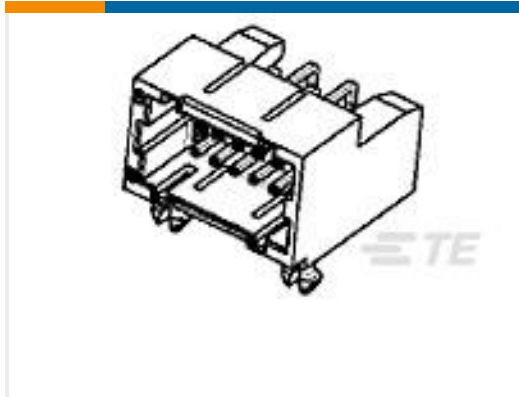
TE Part # 1-292206-6
MINI CT SGL DIP H 16P NAT



TE Part # 1-292232-6
1.5 MINI CT SGL V SMT W/BOS,PO



TE Part # 1-292228-6
1.5 MINI CT SGL H SMT W/O BOSS



TE Part # 3-292262-2
DBL ROW (H) DIP TYPE WITH BOAR



TE Part # 1-292207-6
MINI CT SGL DIP V 16P NAT



TE Part # 3-292216-2
MINI CT D/R RELAY 32P V NAT



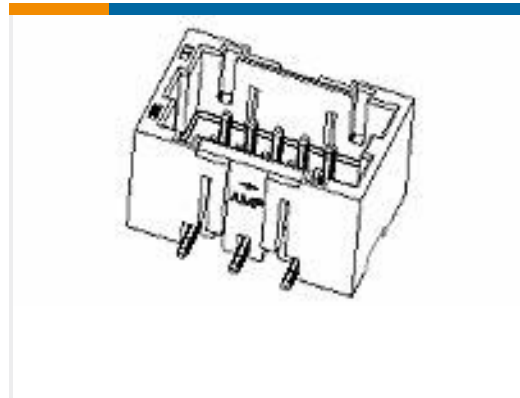
TE Part # 1-292227-6
1.5 MINI CT SGL H SMT W BOSS 1



TE Part # 1-292231-6
1.5 MINI CT SGL V SMT W/O BOSS



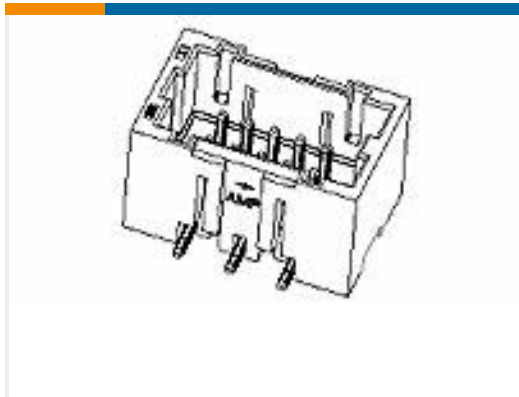
TE Part # 1-292272-6
S/R POST HDR ASSY V DIP AU-PL. 16P GRAY



TE Part # 3-292229-2
1.5 MINI CT D/R SMT 32P V ONTA




TE Part # 8-292208-2
MINI CT D/R DIP 32P V BLUE



TE Part # 8-292229-2
1.5 MINI CT D/R SMT 32P V ONTA

Also in the Series | AMP Mini CT



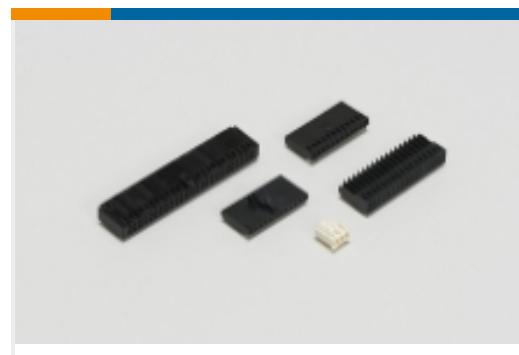
Connector Contacts(4)



Connector Hardware(10)



PCB Headers & Receptacles(332)



Wire-to-Board Connector Assemblies & Housings(172)

Customers Also Bought



Documents

Product Drawings

CT REC HSG 16P CRIMP TYPE WHIT

English

CAD Files

Customer View Model

[ENG_CVM_CVM_1-353908-6_P.2d_dxf.zip](#)

English

3D PDF

3D

Customer View Model

[ENG_CVM_CVM_1-353908-6_P.3d_igs.zip](#)

English

Customer View Model

[ENG_CVM_CVM_1-353908-6_P.3d_stp.zip](#)

English

By downloading the CAD file I accept and agree to the [Terms and Conditions](#) of use.

Product Specifications

Application Specification

English

Instruction Sheets

Instruction Sheet for Mini CT DC Drawer Connector SF Type

Japanese

Instruction Sheet (non U.S.)

English



1.5mm Pitch Mini CT DC Drawer Connector SF Type

Japanese

Instruction Sheet (non U.S.)

Japanese

1.5mm Pitch Mini CT Hybrid Drawer Connector SF Type

Japanese

Instruction Sheet (non U.S.)

Japanese

1.5mm Pitch Mini CT Hybrid Drawer Connector Slim Type

Japanese

Instruction Sheet (non U.S.)

Japanese