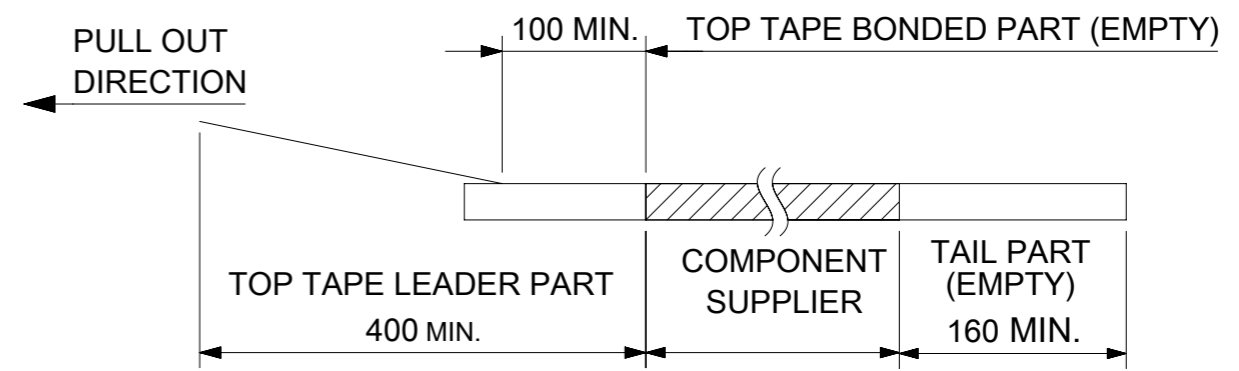
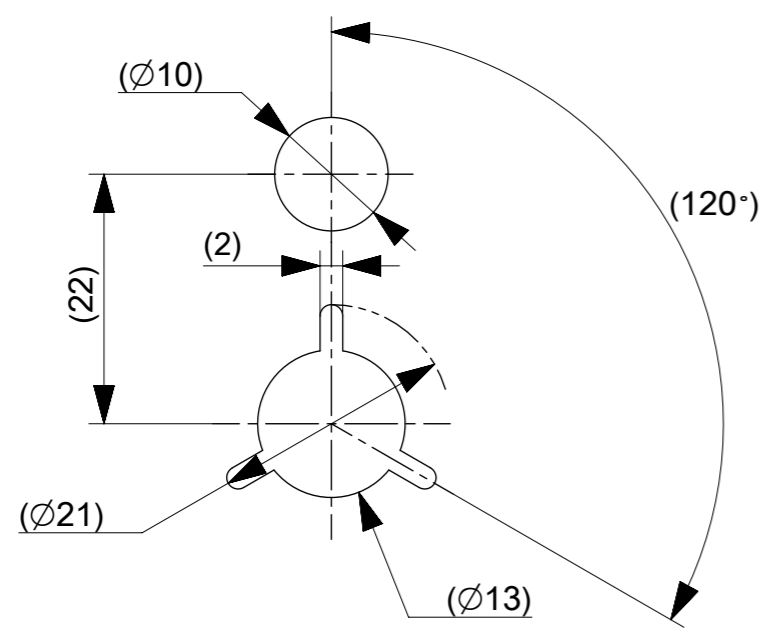


NOTES

1. RE DETAILED DIMENSION, SEE PRODUCT DRAWING.
2. NUMBER OF CONNECTORS : 7000 PCS/REEL
3. LEAD TAPE LENGTH

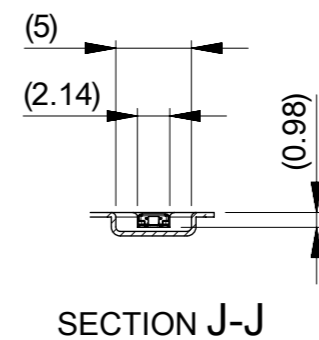
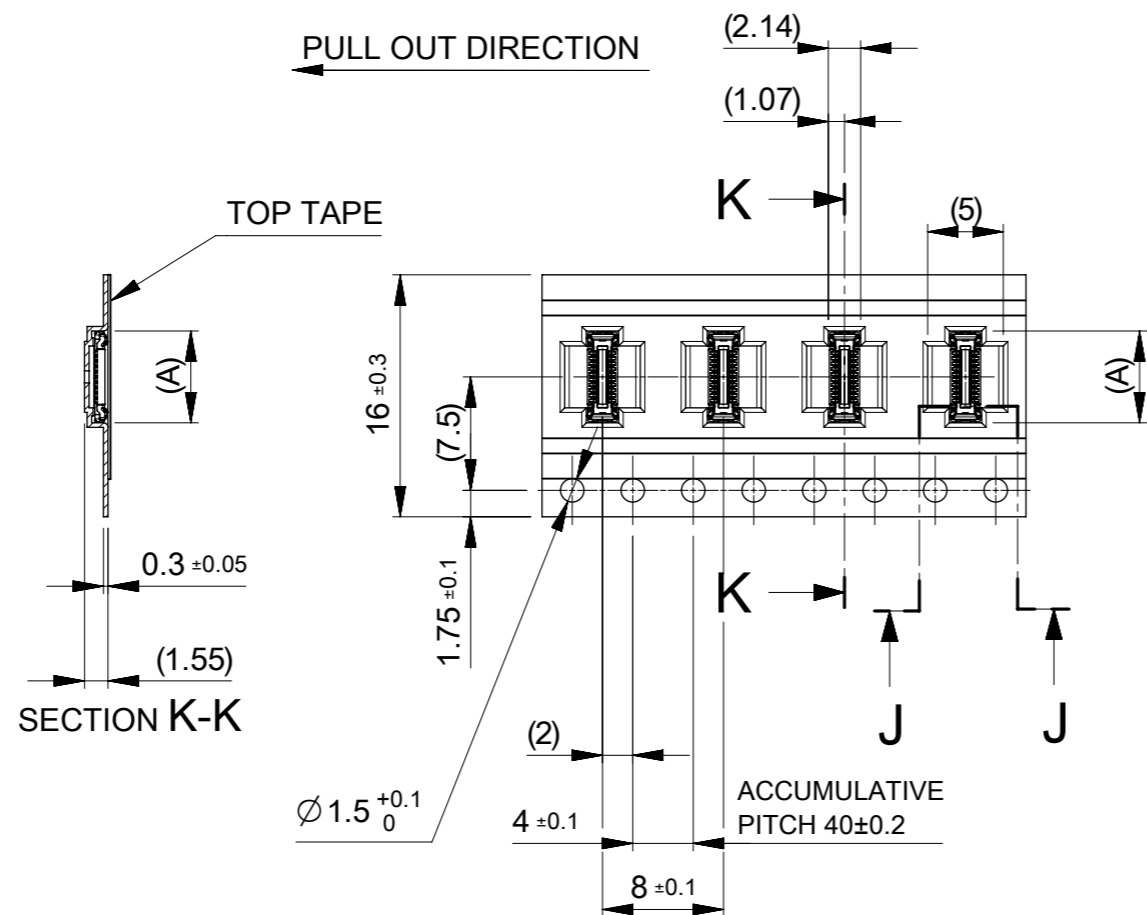


4. TOP TAPE PEEL FORCE IS DEFINED BY IEC60286-3.
5. MATERIAL
CARRIER TAPE : POLYSTYRENE
TOP TAPE : PET , OTHER
REEL : POLYSTYRENE (PS) < RECYCLE MATERIAL CONTAINED >
6. ELV AND RoHS COMPLIANT



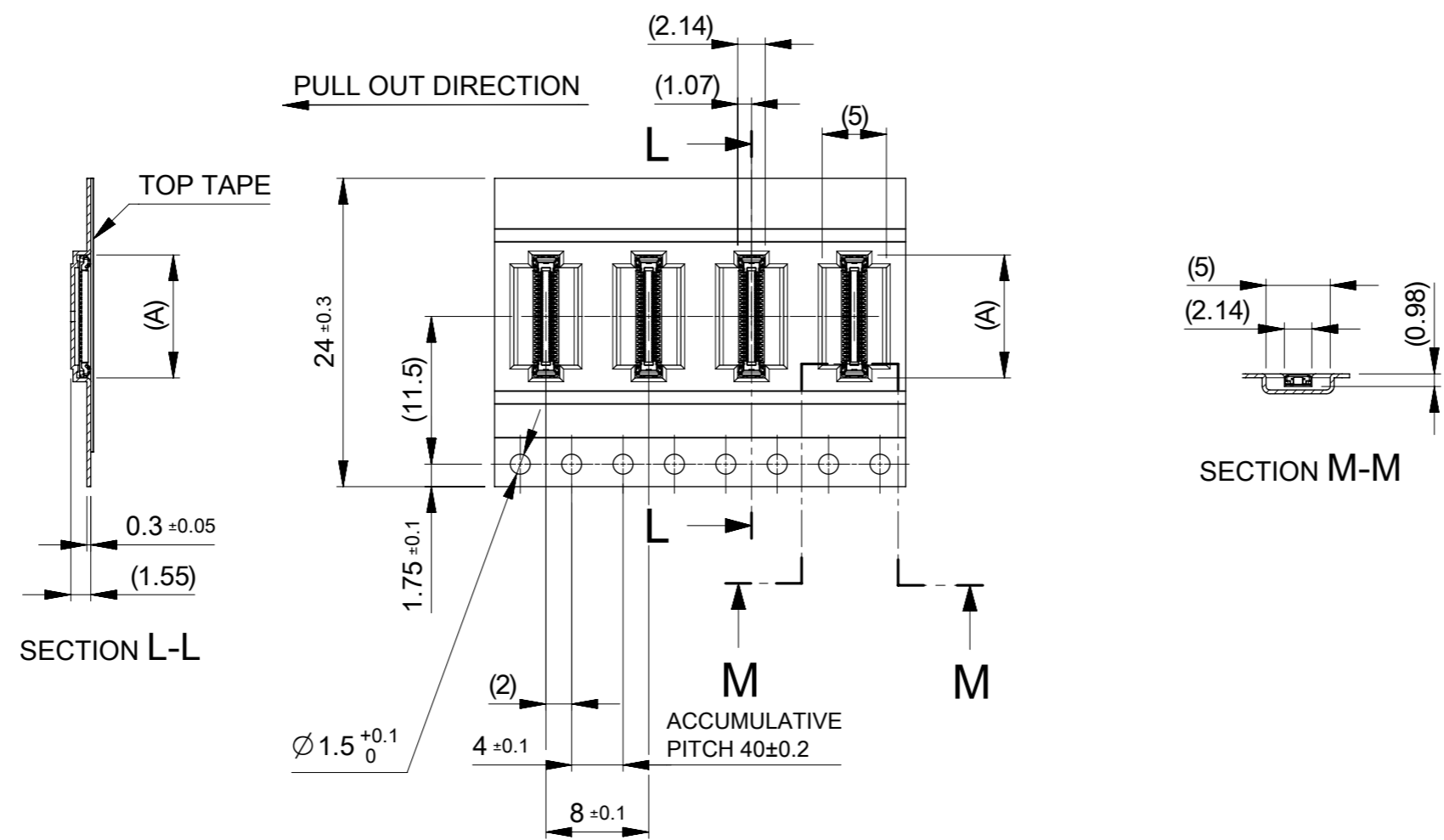
DETAIL "D"

| | | | | | | | | | | | | | |
|---|--|--|--|--|--|----------|--|--------------------------------------|--|----------|--|-----------------|--|
| THIS DRAWING CONTAINS INFORMATION THAT IS PROPRIETARY TO MOLEX ELECTRONIC TECHNOLOGIES, LLC AND SHOULD NOT BE USED WITHOUT WRITTEN PERMISSION | | | | | | | | | | | | | |
| DIMENSION UNITS | | SCALE | | CURRENT REV DESC: | | | | molex | | | | | |
| mm | | 1:1 | | | | | | | | | | | |
| GENERAL TOLERANCES (UNLESS SPECIFIED) | | | | EC NO: 736025 DRWN: NASIMO 2022/12/26 CHK'D: YKOBAYASHI02 2023/01/24 APPR: KSASAKI 2023/01/24 INITIAL REVISION: DRWN: HONO01 2016/03/16 APPR: KMORIKAWA 2016/04/26 | | | | 0.35 BB H=1.0 SSB10RP REC EMBSTP PKG | | | | | |
| ANGULAR TOL ± 3.0° | | | | | | | | PRODUCT CUSTOMER DRAWING | | | | | |
| 4 PLACES ± 0.03 | | 3 PLACES ± 0.03 | | | | | | DOCUMENT NUMBER | | DOC TYPE | | DOC PART | |
| 2 PLACES ± 0.05 | | 1 PLACE ± 0.1 | | | | | | 5054130000 | | PSD | | 000 J | |
| 0 PLACES ± 0.2 | | DRAFT WHERE APPLICABLE MUST REMAIN WITHIN DIMENSIONS | | | | | | THIRD ANGLE PROJECTION | | DRAWING | | SERIES | |
| | | | | | | | | A3-SIZE | | 505413 | | MATERIAL NUMBER | |
| | | | | SEE CHART | | CUSTOMER | | GENERAL | | | | | |
| | | | | | | | | SHEET NUMBER | | | | | |
| | | | | | | | | 1 OF 4 | | | | | |



| | | | | | | | |
|-----------------------------------|--|------|------|--------------------------|-------------------|------------------|---------|
| 16 | 21.4 | 17.4 | 7.82 | 5054133010 | ○ | --- | 30 |
| | | | 6.77 | 5054132410 | --- | --- | 24 |
| | | | 6.42 | 5054132210 | --- | --- | 22 |
| | | | 6.07 | 5054132010 | --- | --- | 20 |
| | | | 5.72 | 5054131810 | --- | --- | 18 |
| | | | 5.37 | 5054131610 | ○ | --- | 16 |
| | | | 5.02 | 5054131410 | --- | --- | 14 |
| | | | 4.67 | 5054131210 | --- | --- | 12 |
| | | | 4.32 | 5054131010 | --- | --- | 10 |
| 3.62 | 5054130610 | ○ | --- | 6 | | | |
| キャリアテープ幅 CARRIER TAPE WIDTH | C | B | (A) | EMBOSSED TAPE PACKAGE | HIGH VOL. TOOL | LOW VOL. TOOL | CIRCUIT |
| ORDER NO. | SAMPLE PREPARATION ○:TOOLED △:WORK IN PROCESS ---:TOOLING TO BE CONFIRMED | | | | | | |

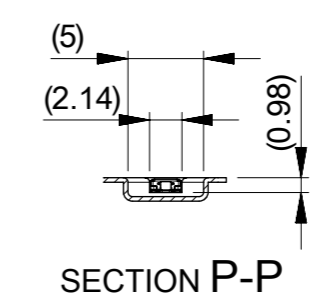
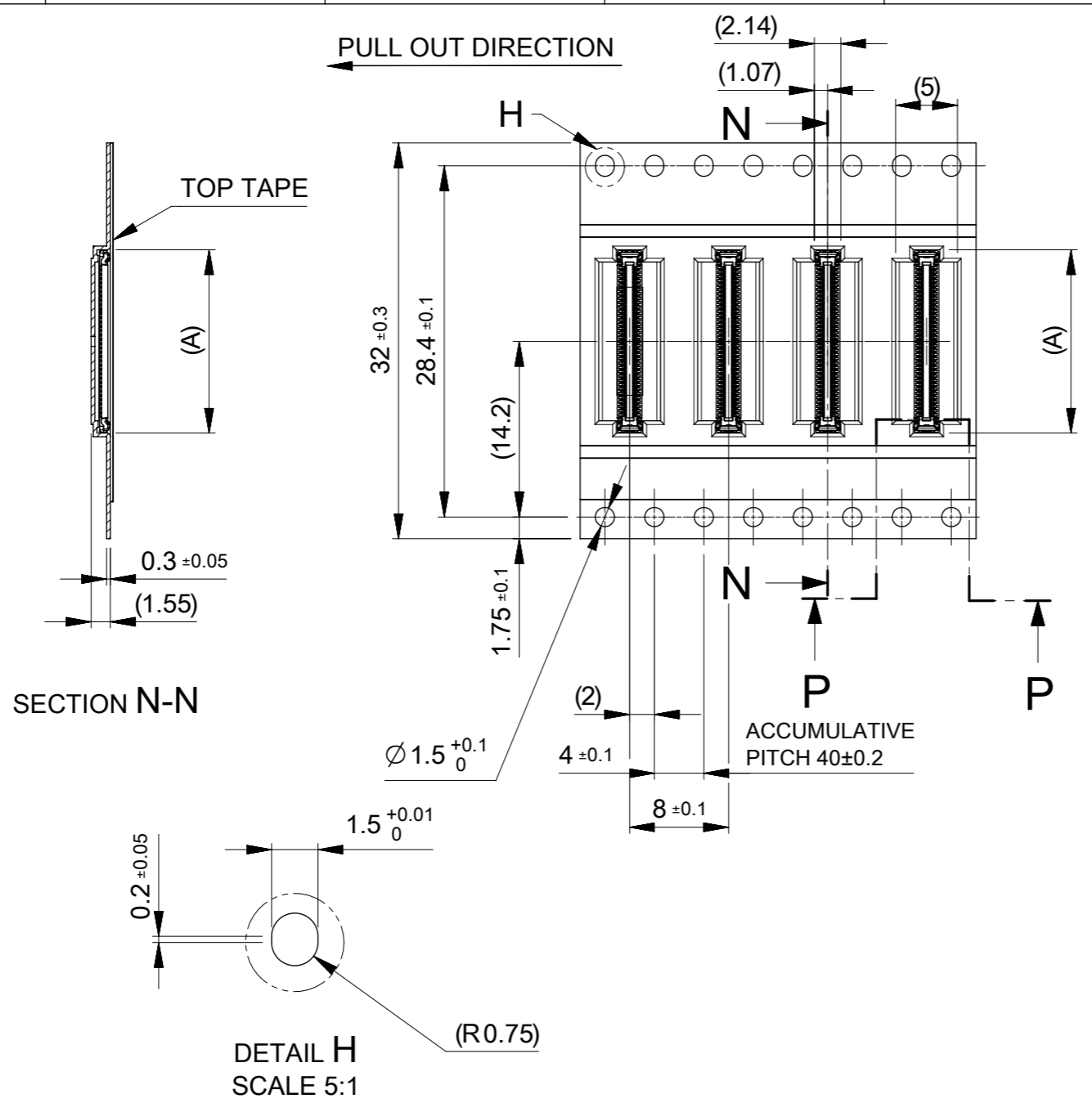
| DIMENSION UNITS | | SCALE | CURRENT REV DESC: | | | | | |
|--|--------|-------|--|--------|-----------------|----------|----------|--------------|
| mm | | 2:1 | | | | | | |
| GENERAL TOLERANCES (UNLESS SPECIFIED) | | | molex 0.35 BB H=1.0 SSB10RP REC EMBSTP PKG PRODUCT CUSTOMER DRAWING | | | | | |
| ANGULAR TOL ± 3.0° | | | | | | | | |
| 4 PLACES | ± 0.03 | | | | | | | |
| 3 PLACES | ± 0.03 | | | | | | | |
| 2 PLACES | ± 0.05 | | | | | | | |
| 1 PLACE | ± 0.1 | | | | | | | |
| 0 PLACES | ± 0.2 | | EC NO: 736025 DRWN: NASIMO 2022/12/26 CHK'D: YKOBAYASHI02 2023/01/24 APPR: KSASAKI 2023/01/24 | | | | | |
| DRAFT WHERE APPLICABLE MUST REMAIN WITHIN DIMENSIONS | | | INITIAL REVISION: DRWN: HONO01 2016/03/16 APPR: KMORIKAWA 2016/04/26 | | DOCUMENT NUMBER | DOC TYPE | DOC PART | REVISION |
| | | | THIRD ANGLE PROJECTION | | 5054130000 | PSD | 000 | J |
| | | | DRAWING | SERIES | MATERIAL NUMBER | CUSTOMER | | SHEET NUMBER |
| | | | A3-SIZE | 505413 | SEE CHART | GENERAL | | 2 OF 4 |



| | | | | | | | |
|-----------------------------------|--|------|-------|--------------------------|-------------------|------------------|---------|
| 24 | 29.4 | 25.4 | 13.42 | 5054136410 | --- | --- | 64 |
| | | | 12.72 | 5054136010 | ○ | --- | 60 |
| | | | 12.02 | 5054135410 | --- | --- | 54 |
| | | | 11.32 | 5054135010 | --- | --- | 50 |
| | | | 10.97 | 5054134810 | --- | --- | 48 |
| | | | 10.62 | 5054134610 | --- | --- | 46 |
| | | | 9.92 | 5054134210 | --- | --- | 42 |
| | | | 9.57 | 5054134010 | ○ | --- | 40 |
| | | | 8.52 | 5054133410 | ○ | --- | 34 |
| キャリアテープ幅 CARRIER TAPE WIDTH | C | B | (A) | EMBOSSED TAPE PACKAGE | HIGH VOL. TOOL | LOW VOL. TOOL | CIRCUIT |
| ORDER NO. | SAMPLE PREPARATION ○:TOOLED △:WORK IN PROCESS ---:TOOLING TO BE CONFIRMED | | | | | | |

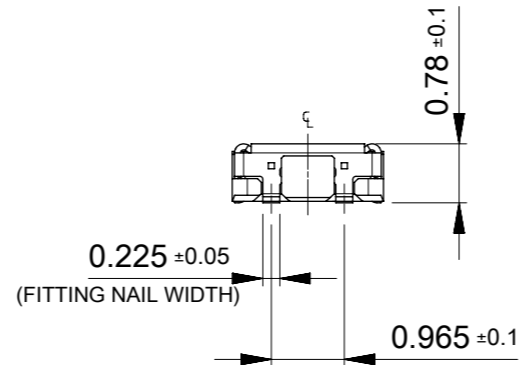
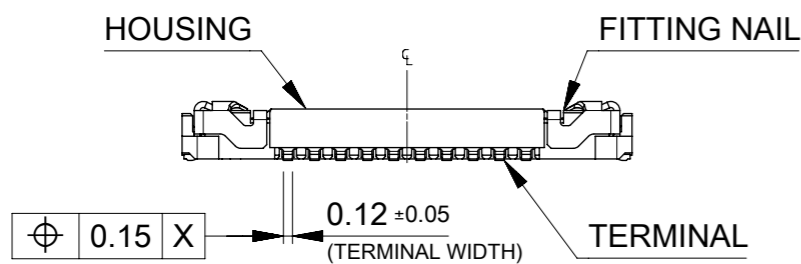
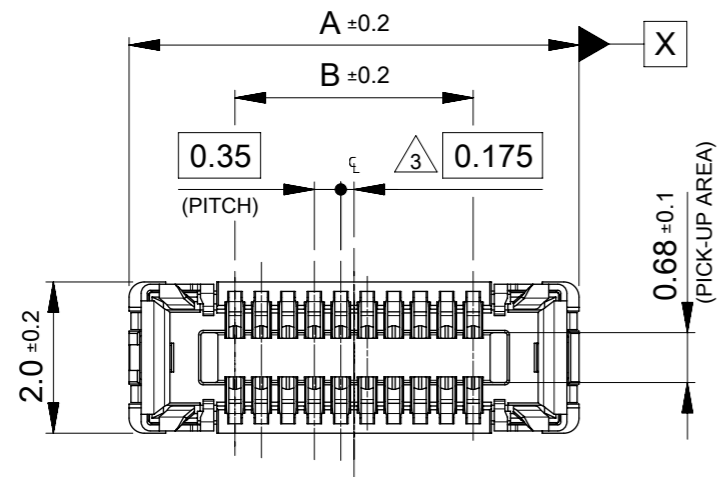
THIS DRAWING CONTAINS INFORMATION THAT IS PROPRIETARY TO MOLEX ELECTRONIC TECHNOLOGIES, LLC AND SHOULD NOT BE USED WITHOUT WRITTEN PERMISSION

| | | | | | | |
|--|-----------------|---------------------|------------|--------------------------|----------|----------|
| DIMENSION UNITS mm | SCALE 2:1 | CURRENT REV DESC: | | molex | | |
| GENERAL TOLERANCES (UNLESS SPECIFIED) | | EC NO: 736025 | | | | |
| ANGULAR TOL ± 3.0 ° | 4 PLACES ± 0.03 | DRWN: NASIMO | 2022/12/26 | PRODUCT CUSTOMER DRAWING | | |
| 3 PLACES ± 0.03 | 2 PLACES ± 0.05 | CHK'D: YKOBAYASHI02 | 2023/01/24 | DOCUMENT NUMBER | | |
| 2 PLACES ± 0.05 | 1 PLACE ± 0.1 | APPR: KSASAKI | 2023/01/24 | 5054130000 | | |
| 1 PLACE ± 0.1 | 0 PLACES ± 0.2 | INITIAL REVISION: | | DOC TYPE | DOC PART | REVISION |
| DRAFT WHERE APPLICABLE MUST REMAIN WITHIN DIMENSIONS | | DRWN: HONO01 | 2016/03/16 | PSD | 000 | J |
| THIRD ANGLE PROJECTION | | APPR: KMORIKAWA | 2016/04/26 | SHEET NUMBER | | |
| DRAWING | | SERIES | | MATERIAL NUMBER | | CUSTOMER |
| A3-SIZE | | 505413 | | SEE CHART | | GENERAL |
| SHEET NUMBER | | 3 OF 4 | | | | |



| | | | | | | | |
|-----------------------------------|------|------|-------|--------------------------|--|------------------|---------|
| 32 | 37.4 | 33.4 | 14.82 | 5054137010 | --- | --- | 70 |
| キャリアテープ幅 CARRIER TAPE WIDTH | C | B | (A) | EMBOSSED TAPE PACKAGE | HIGH VOL. TOOL | LOW VOL. TOOL | CIRCUIT |
| | | | | ORDER NO. | SAMPLE PREPARATION ○:TOOLED △:WORK IN PROCESS ---:TOOLING TO BE CONFIRMED | | |

| | | | | | | | | | |
|---|--------------------------------|-------------------------|--------|--------------------------|--------------------------------------|--------------|-----|---|------------|
| THIS DRAWING CONTAINS INFORMATION THAT IS PROPRIETARY TO MOLEX ELECTRONIC TECHNOLOGIES, LLC AND SHOULD NOT BE USED WITHOUT WRITTEN PERMISSION | | | | | | | | | |
| DIMENSION UNITS | SCALE | CURRENT REV DESC: | | | molex | | | | |
| mm | 2:1 | | | | | | | | |
| GENERAL TOLERANCES (UNLESS SPECIFIED) | | EC NO: 736025 | | | 0.35 BB H=1.0 SSB10RP REC EMBSTP PKG | | | | |
| ANGULAR TOL ± 3.0 ° | | DRWN: NASIMO 2022/12/26 | | | | | | | |
| 4 PLACES ± 0.03 | CHK'D: YKOBAYASHI02 2023/01/24 | | | PRODUCT CUSTOMER DRAWING | | | | | |
| 3 PLACES ± 0.03 | APPR: KSASAKI 2023/01/24 | | | | | | | | |
| 2 PLACES ± 0.05 | INITIAL REVISION: | | | DOCUMENT NUMBER | | | | | |
| 1 PLACE ± 0.1 | DRWN: HONO01 2016/03/16 | | | | | | | | 5054130000 |
| 0 PLACES ± 0.2 | APPR: KMORIKAWA 2016/04/26 | | | 2016/04/26 | | PSD | 000 | J | |
| DRAFT WHERE APPLICABLE MUST REMAIN WITHIN DIMENSIONS | THIRD ANGLE PROJECTION | DRAWING | SERIES | MATERIAL NUMBER | CUSTOMER | SHEET NUMBER | | | |
| | | A3-SIZE | 505413 | SEE CHART | GENERAL | 4 OF 4 | | | |



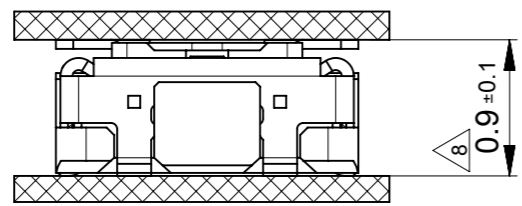
NOTES

1. MATERIAL
HOUSING : LIQUID CRYSTAL POLYMER UL94V-0(COLOR : BLACK)
TERMINAL : COPPER ALLOY
FITTING NAIL : COPPER ALLOY
2. PLATING
TERMINAL :
GOLD
UNDER PLATING : NICKEL
*DIVIDE INTO PARTS THE GOLD PLATING OF THE CONTACT AND THE TAIL PART BY THE NICKEL PLATING.
FITTING NAIL :
GOLD(ONLY CONTACT AND TAIL PART)
UNDER PLATING : NICKEL
3. APPLY FOR (CIRCUIT/2)=EVEN
4. MATE WITH : 505274**12/**42 (H=0.9) , 505417**10 (H=1.0)
5. TAIL AND FITTING NAIL COPLANARITY TO BE 0.08MAXIMUM.
6. PROHIBITED AREA OF PATTERN WIRING AND SOLDER.
(FOR EACH AREA, THE WIRING THAT TOUCHES ON THE SOLDER CAN BE ATTACHED, THEN COVERED WITH A FILM TO KEEP SOLDER OUT.)
7. ELV and RoHS COMPLIANT.
8. THIS DIMENSION SHOWS THE DIMENSION BETWEEN SOLDERING SURFACE OF SOLDER TAILS.

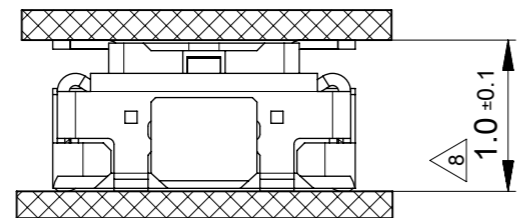
| | | | | | |
|-------|-------|------------|-----|-----|----|
| 11.90 | 14.70 | 5054137010 | --- | --- | 70 |
| 10.85 | 13.65 | 5054136410 | --- | --- | 64 |
| 10.15 | 12.95 | 5054136010 | ○ | --- | 60 |
| 9.10 | 11.90 | 5054135410 | --- | --- | 54 |
| 8.40 | 11.20 | 5054135010 | --- | --- | 50 |
| 8.05 | 10.85 | 5054134810 | --- | --- | 48 |
| 7.70 | 10.50 | 5054134610 | --- | --- | 46 |
| 7.00 | 9.80 | 5054134210 | --- | --- | 42 |
| 6.65 | 9.45 | 5054134010 | ○ | --- | 40 |
| 5.60 | 8.40 | 5054133410 | ○ | --- | 34 |
| 4.90 | 7.70 | 5054133010 | ○ | --- | 30 |
| 3.85 | 6.65 | 5054132410 | --- | --- | 24 |
| 3.50 | 6.30 | 5054132210 | --- | --- | 22 |
| 3.15 | 5.95 | 5054132010 | --- | --- | 20 |
| 2.80 | 5.60 | 5054131810 | --- | --- | 18 |
| 2.45 | 5.25 | 5054131610 | ○ | --- | 16 |
| 2.10 | 4.90 | 5054131410 | ○ | --- | 14 |
| 1.75 | 4.55 | 5054131210 | --- | --- | 12 |
| 1.40 | 4.20 | 5054131010 | --- | --- | 10 |
| 0.70 | 3.50 | 5054130610 | ○ | --- | 6 |

| | | | | | |
|---|---|-----------------------------------|--|--------------|---------|
| B | A | EMBOSSED TAPE PACKAGE | MASS PRODUCTION | LOW VOL.TOOL | CIRCUIT |
| | | ORDER No. | SMAPLE PREPARATION ○:TOOLED △:WORK IN PROCESS ---:TOOLING TO BE CONFIRMED | | |
| | | CONNECTOR SERIES No. : 505413**09 | | | |

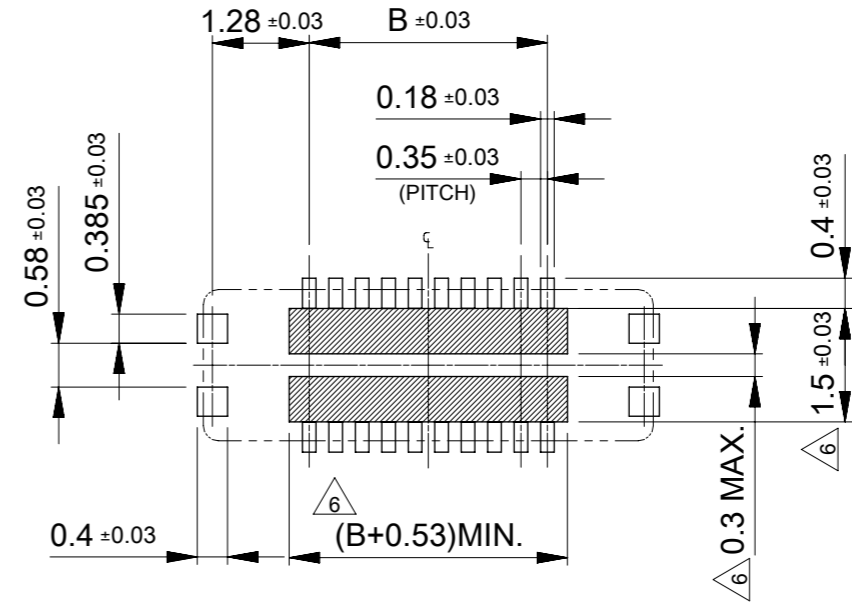
| | | | | | |
|---|---------|--|---------|---------------------------------------|-----------------|
| THIS DRAWING CONTAINS INFORMATION THAT IS PROPRIETARY TO MOLEX ELECTRONIC TECHNOLOGIES, LLC AND SHOULD NOT BE USED WITHOUT WRITTEN PERMISSION | | CURRENT REV DESC: | | molex | |
| DIMENSION UNITS | SCALE | EC NO: 733067 | | | |
| mm | 10:1 | DRWN: NASIMO 2022/12/21 | | 0.35 BB CONN. H=1.0 SSB10RP REC. ASSY | |
| GENERAL TOLERANCES (UNLESS SPECIFIED) | | CHK'D: YKOBAYASHI02 2022/12/22 | | PRODUCT CUSTOMER DRAWING | |
| ANGULAR TOL | ± 3.0 ° | APPR: KSASAKI 2022/12/23 | | DOCUMENT NUMBER | |
| 4 PLACES | ± 0.03 | INITIAL REVISION: | | 5054131000 | |
| 3 PLACES | ± 0.03 | DRWN: HONO01 2016/04/25 | | PSD 000 G | |
| 2 PLACES | ± 0.05 | APPR: KMORIKAWA 2016/04/26 | | SHEET NUMBER | |
| 1 PLACE | ± 0.1 | DRAFT WHERE APPLICABLE MUST REMAIN WITHIN DIMENSIONS | | 1 OF 2 | |
| 0 PLACES | ± 0.2 | THIRD ANGLE PROJECTION | DRAWING | SERIES | MATERIAL NUMBER |
| | | | A3-SIZE | 505413 | SEE CHART |
| | | CUSTOMER | | GENERAL | |



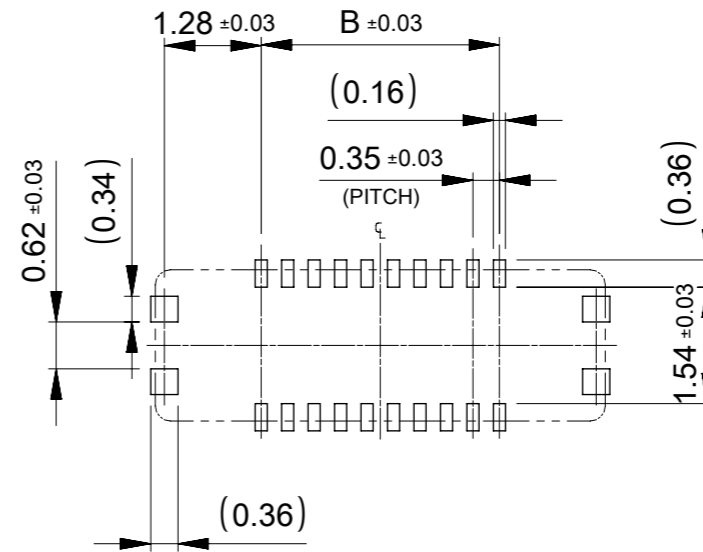
MATED CONDITION (505413/505274)



MATED CONDITION (505413/505417)



RECOMMENDED P.W.BOARD PATTERN LAYOUT (REFERENCE)



RECOMMENDED METAL MASK LAYOUT (REFERENCE)

RECOMMENDED THICKNESS OF METAL MASK : t=0.08mm

RECOMMENDED OPEN APERTURE RATIO OF METAL MASK : 80%

| | | | | | | | | | |
|---|--|-------|--|-------------------------|--|---------|--|-----------------|--|
| THIS DRAWING CONTAINS INFORMATION THAT IS PROPRIETARY TO MOLEX ELECTRONIC TECHNOLOGIES, LLC AND SHOULD NOT BE USED WITHOUT WRITTEN PERMISSION | | | | | | | | | |
| DIMENSION UNITS | | SCALE | | CURRENT REV DESC: | | | | molex | |
| mm | | 10:1 | | | | | | | |
| GENERAL TOLERANCES (UNLESS SPECIFIED) | | | | | | | | | |
| ANGULAR TOL ± 3.0 ° | | | | | | | | | |
| 4 PLACES ± 0.03 | | | | | | | | | |
| 3 PLACES ± 0.03 | | | | | | | | | |
| 2 PLACES ± 0.05 | | | | | | | | | |
| 1 PLACE ± 0.1 | | | | | | | | | |
| 0 PLACES ± 0.2 | | | | | | | | | |
| DRAFT WHERE APPLICABLE MUST REMAIN WITHIN DIMENSIONS | | | | THIRD ANGLE PROJECTION | | DRAWING | | SERIES | |
| | | | | A3-SIZE | | 505413 | | MATERIAL NUMBER | |
| | | | | SEE CHART | | GENERAL | | SHEET NUMBER | |
| | | | | | | | | 2 OF 2 | |
| EC NO: 733067 | | | | DRWN: NASIMO 2022/12/21 | | | | 5054131000 | |
| CHK'D: YKOBAYASHI02 | | | | 2022/12/22 | | | | | |
| APPR: KSASAKI | | | | 2022/12/23 | | | | | |
| INITIAL REVISION: | | | | DRWN: HONO01 2016/04/25 | | | | DOCUMENT NUMBER | |
| APPR: KMORIKAWA | | | | 2016/04/26 | | | | PSD 000 G | |
| CUSTOMER | | | | GENERAL | | | | REVISION | |