

2298081-1 ✓ ACTIVE

STRADA | STRADA Whisper 3.9mm

TE Internal #: 2298081-1

High Speed Backplane Connectors, 64 Position, Mating Alignment, Keyed Mating Alignment Type, 8 Row, 4 Column, PCB Mount Header, STRADA Whisper 3.9mm

[View on TE.com >](#)



Connectors > PCB Connectors > Backplane Connectors > High Speed Backplane Connectors



Connector System: **Board-to-Board**

Number of Positions: **64**

Row-to-Row Spacing: **3.9 mm [ .154 in ]**

Mating Alignment: **With**

Mating Alignment Type: **Keyed**

## Features

### Product Type Features

Backplane Module Type	Center
Signal Arrangement	Differential
Connector System	Board-to-Board
PCB Connector Assembly Type	PCB Mount Header
Shroud Style	Fully Shrouded
Connector & Contact Terminates To	Printed Circuit Board

### Configuration Features

Pairs per Column	4
Number of Ground Positions	36
Number of Pairs	32
Stackable	No
Number of Signal Positions	64
Backplane Architecture	Orthogonal
Number of Positions	64
Number of Rows	8
Number of Columns	4
PCB Mount Orientation	Right Angle



### Electrical Characteristics

Impedance	85 $\Omega$
Operating Voltage	80 VDC

### Signal Characteristics

Differential Impedance	85 $\Omega$
Number of Differential Pairs per Column	56
Data Rate	56 Gb/s

### Body Features

Shield Material	Copper Alloy
Primary Product Color	Black

### Contact Features

Contact Mating Area Length	4.38 mm[.172 in]
Contact Type	Pin
Contact Mating Area Plating Material	Gold Flash
Contact Shape & Form	Dual Beam
Contact Underplating Material	Palladium Nickel
PCB Contact Termination Area Plating Material	Tin
Contact Base Material	Copper Alloy
Contact Current Rating (Max)	.4 A

### Termination Features

Termination Method to Printed Circuit Board	Through Hole - Press-Fit
---	--------------------------

### Mechanical Attachment

Guide Hardware	Without
Mating Retention	Without
PCB Mount Retention	With
PCB Mount Retention Type	Action/Compliant Tail
Mating Alignment	With
Mating Alignment Type	Keyed

### Housing Features

Number of Shrouded Sides	4
Housing Material	LCP (Liquid Crystal Polymer)
Centerline (Pitch)	3.9 mm[.154 in]



### Dimensions

PCB Thickness (Recommended)	1 mm[.039 in]
PCB Hole Diameter	1 mm[.039 in]
Row-to-Row Spacing	3.9 mm[.154 in]

### Usage Conditions

Operating Temperature Range	-65 – 105 °C[-85 – 221 °F]
-----------------------------	----------------------------

### Operation/Application

Durability Rating	200 Cycles
Circuit Application	Signal

### Industry Standards

Compatible With Agency/Standards Products	UL
Compatible With Approved Standards Products	UL E28476

### Packaging Features

Packaging Method	Tube
------------------	------

### Product Compliance

[For compliance documentation, visit the product page on TE.com>](#)

EU RoHS Directive 2011/65/EU	Compliant
EU ELV Directive 2000/53/EC	Compliant
China RoHS 2 Directive MIIT Order No 32, 2016	No Restricted Materials Above Threshold
EU REACH Regulation (EC) No. 1907/2006	Current ECHA Candidate List: JUNE 2023 (235) Candidate List Declared Against: JUNE 2023 (235) Does not contain REACH SVHC
Halogen Content	Low Halogen - Br, Cl, F, I < 900 ppm per homogenous material. Also BFR/CFR/PVC Free
Solder Process Capability	Not applicable for solder process capability

#### Product Compliance Disclaimer

This information is provided based on reasonable inquiry of our suppliers and represents our current actual knowledge based on the information they provided. This information is subject to change. The part numbers that TE has identified as EU RoHS compliant have a maximum concentration of 0.1% by weight in homogenous materials for lead, hexavalent chromium, mercury, PBB, PBDE, DBP, BBP, DEHP, DIBP, and 0.01% for cadmium, or qualify for an exemption to these limits as defined in the Annexes of Directive 2011/65/EU (RoHS2). Finished electrical and electronic equipment products will be CE marked as required by Directive 2011/65/EU. Components may not be CE marked. Additionally, the part numbers that TE has identified as EU ELV compliant have a maximum concentration of 0.1% by weight in homogenous materials for lead, hexavalent chromium, and mercury, and 0.01% for cadmium, or qualify for an exemption to these limits



as defined in the Annexes of Directive 2000/53/EC (ELV). Regarding the REACH Regulation, the information TE provides on SVHC in articles for this part number is based on the latest European Chemicals Agency (ECHA) 'Guidance on requirements for substances in articles' posted at this URL: <https://echa.europa.eu/guidance-documents/guidance-on-reach>

## Compatible Parts




TE Part # 2287288-1  
SW RA RCP ASM, 4P, 8C, 85O, PIC, SR FP

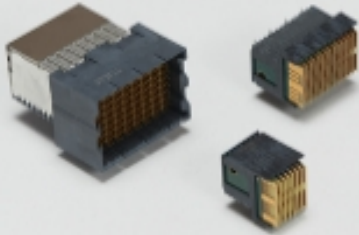


TE Part # 2298079-1  
SW RA RCP ASM, 4P, 8C, 85O, PIC, INV HSG

## Also in the Series | STRADA Whisper 3.9mm

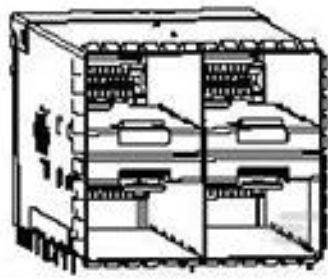


High Speed Backplane Cable Assemblies(16)



High Speed Backplane Connectors(41)

## Customers Also Bought



TE Part #2198325-5  
zSFP+ STACKED 2X2 RECEPTACLE ASSEMBLY



TE Part #2132423-1  
IMP100O,R,RA3P6C,RG,39



TE Part #5223974-1  
UNV,PWR,MDL,ASY,HDR,LEV 2

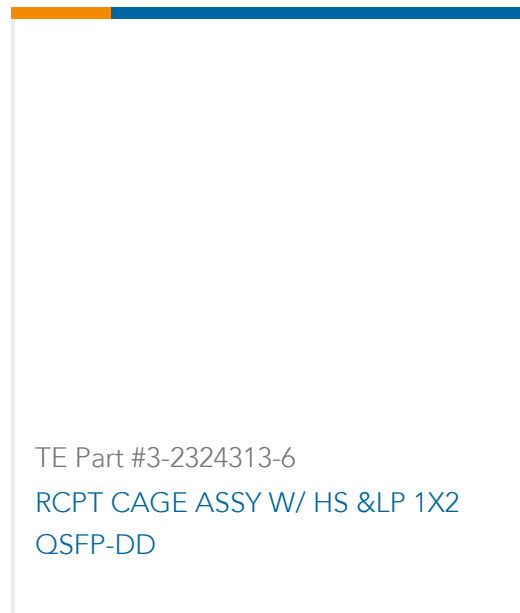
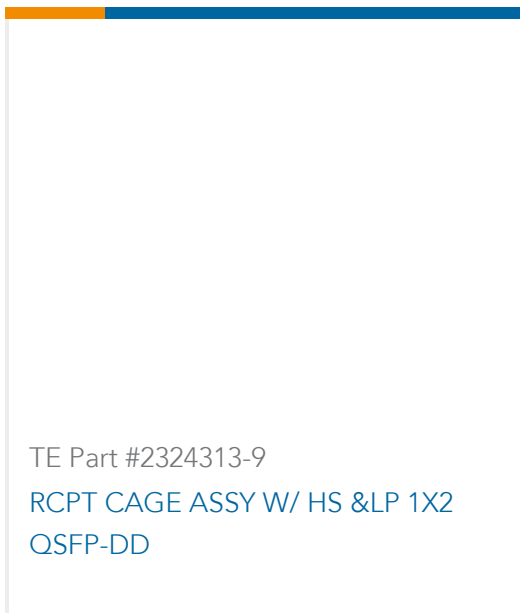
TE Part #1-2333126-1  
CAGE ASSY, QSFP-DD 1X1, STANDARD, 4LP

TE Part #2-2333126-1  
CAGE ASSY, QSFP-DD 1X1, STANDARD, 4LP

TE Part #2324193-5  
CAGE ASSY, QSFP-DD 1X1, CUST HS

TE Part #3-2308171-1  
ZQSFP+ CAGE& CONN 2X2, EMI SPRING, BTB

TE Part #6368168-9  
2X1 OFFSET ST/JK, 2 TOP BI-LED 12PNL GCP



## Documents

### CAD Files

#### 3D PDF

3D

#### Customer View Model

[ENG\\_CVM\\_CVM\\_2298081-1\\_A.2d\\_dxf.zip](#)

English

#### Customer View Model

[ENG\\_CVM\\_CVM\\_2298081-1\\_A.3d\\_igs.zip](#)

English

#### Customer View Model

[ENG\\_CVM\\_CVM\\_2298081-1\\_A.3d\\_stp.zip](#)

English

By downloading the CAD file I accept and agree to the [Terms and Conditions](#) of use.

### Product Specifications

#### Application Specification

English