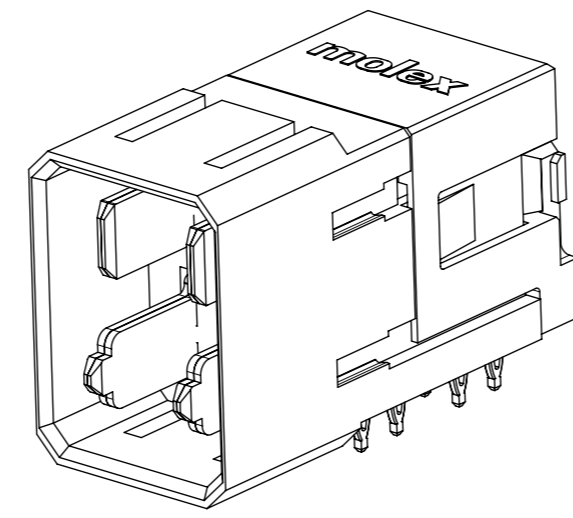
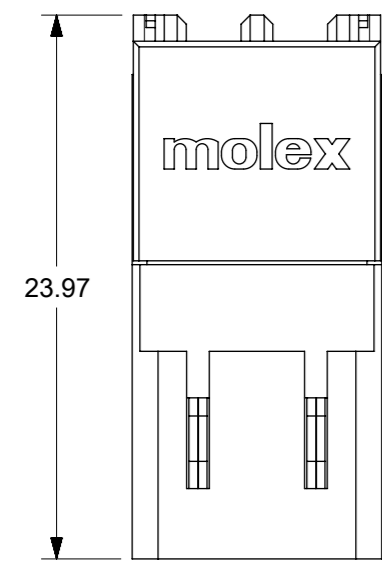


E

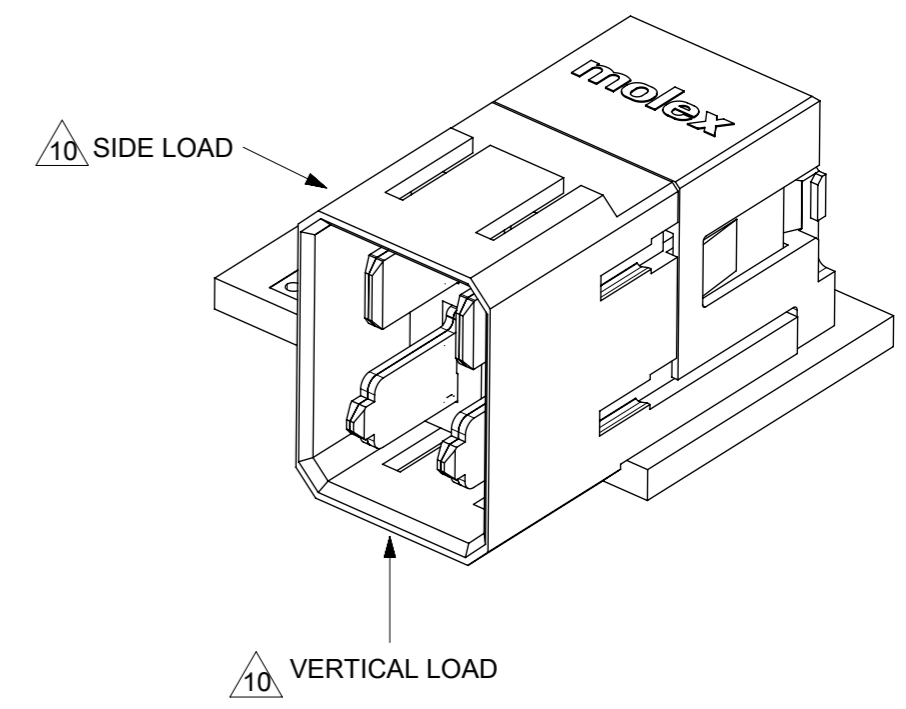
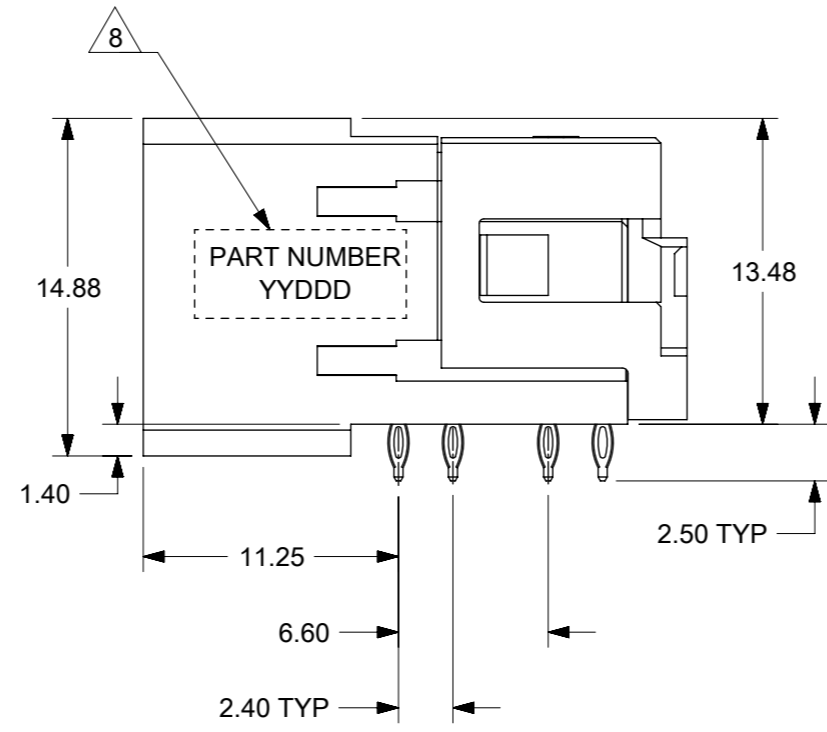
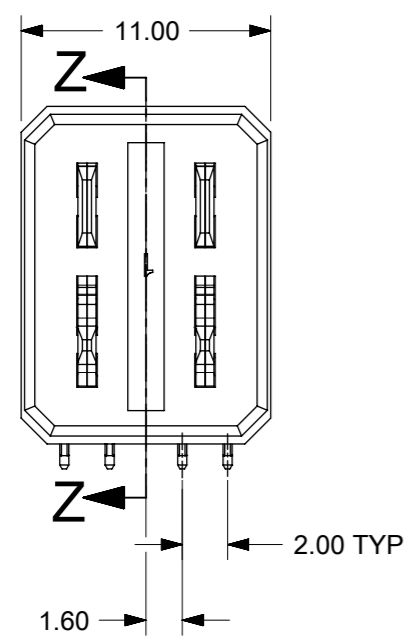


NOTES:

1. MATERIAL:
HOUSING - LCP, GLASS FILLED, UL94-V0, COLOR: BLACK
POWER PIN - COPPER ALLOY
2. FINISHES OPTION:
TIN - 0.76μm MINIMUM GOLD AT CONTACT AND
2.54μm MINIMUM TIN AT SOLDER TAIL AREA OVER
1.27μm MINIMUM NICKEL UNDERPLATE OVERALL.
3. PRODUCT SPECIFICATION: PS-78213-001.
4. PACKAGING SPECIFICATION: PK-78211-001.
5. MATES WITH 78247-**** & 78212-****.
6. REFER SHEET 3 FOR RECOMMENDED PCB LAYOUT.
7. REFER TO MOLEX PRODUCT SPECIFICATION PS-78213-001 FOR PLATED THROUGH-HOLE SPECIFICATIONS.
8. PART NUMBER AND DATE CODE (YYDDD) APPROXIMATELY SHOWN.
9. KEEP OUT ZONE FROM OTHER COMPONENTS.
10. CONNECTOR-TO-PCB RETENTION FORCE SHALL WITHSTAND VERTICAL LOAD OF 1.5KGF AND SIDE LOAD OF 3KGF MAXIMUM RESPECTIVELY. FOR APPLICATION THAT REQUIRES MORE CONNECTOR-TO-PCB RETENTION FORCE, PLEASE CONTACT MOLEX SALES TECHNICAL PERSONNEL FOR RECOMMENDATION.

D

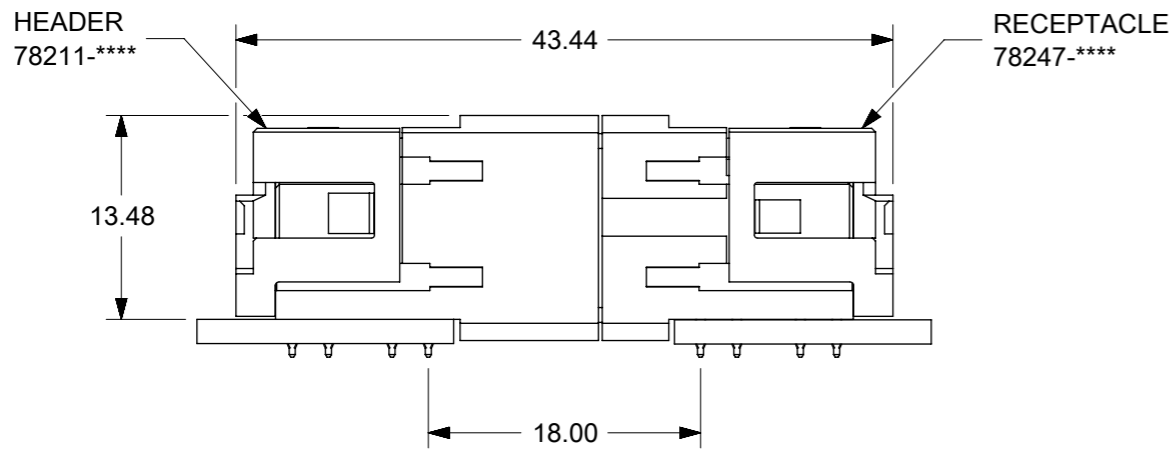
C



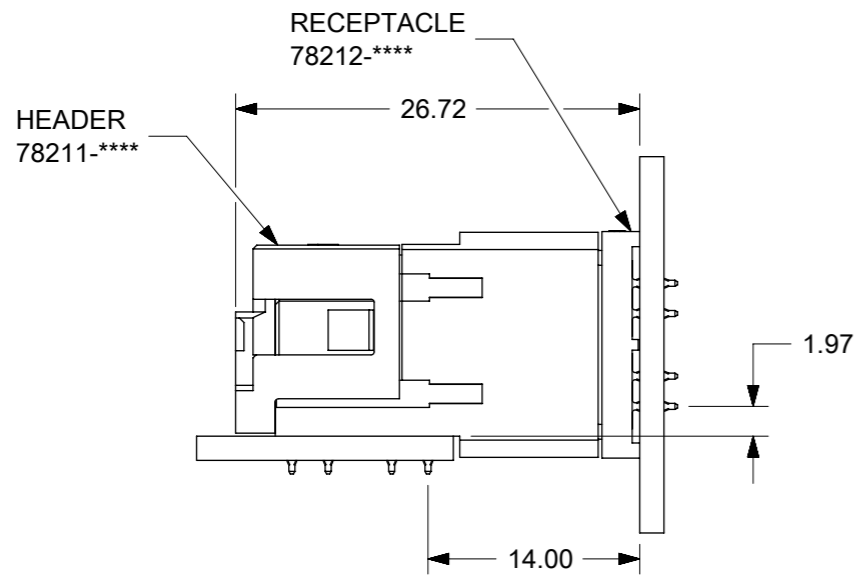
B

A

THIS DRAWING CONTAINS INFORMATION THAT IS PROPRIETARY TO MOLEX ELECTRONIC TECHNOLOGIES, LLC AND SHOULD NOT BE USED WITHOUT WRITTEN PERMISSION									
DIMENSION UNITS		SCALE		CURRENT REV DESC: MIGRATED TO NX					
mm		NTS							
GENERAL TOLERANCES (UNLESS SPECIFIED)									
ANGULAR TOL		± 3.0 °		EC NO: 612508 DRWN: NMUTHARAYAPP 2019/02/06 CHK'D: ABN 2019/03/12 APPR: CWANG25 2019/03/13					
4 PLACES		±		INITIAL REVISION:					
3 PLACES		±		DRWN: LNG 2007/12/11		DOC NUMBER		DOC TYPE	
2 PLACES		± 0.25		APPR: SHONG 2007/12/12		SD-78211-002		PSD	
1 PLACE		±				001		A5	
0 PLACES		±				SEE TABLE		GENERAL MARKET	
DRAFT WHERE APPLICABLE MUST REMAIN WITHIN DIMENSIONS				THIRD ANGLE PROJECTION		DRAWING		SHEET NUMBER	
						A3-SIZE		78211	
						MATERIAL NUMBER		CUSTOMER	
						SEE TABLE		GENERAL MARKET	
								1 OF 3	

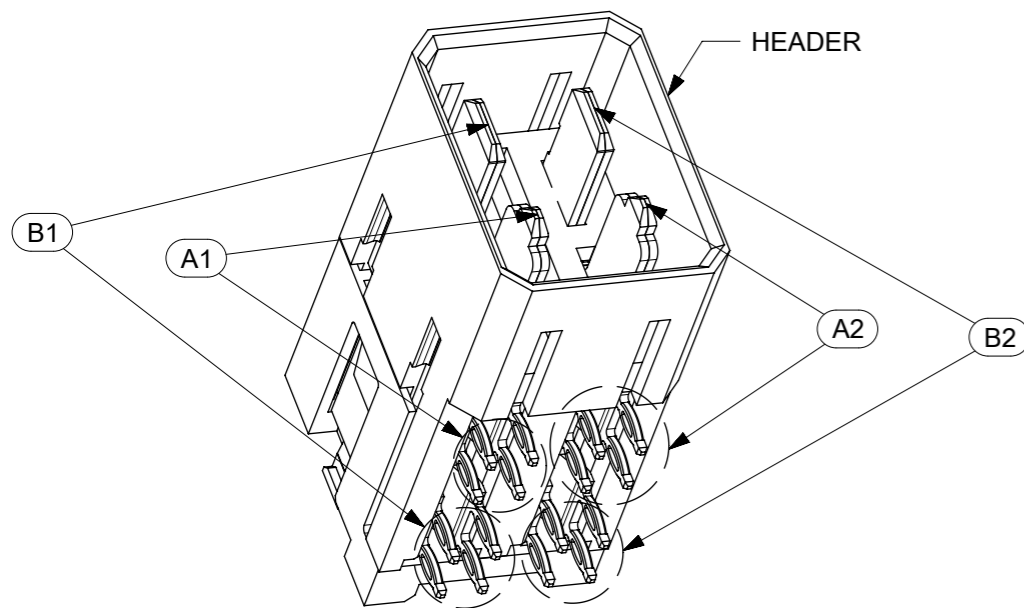


RIGHT ANGLE HEADER (78211) & RIGHT ANGLE RECEPTACLE (78247)

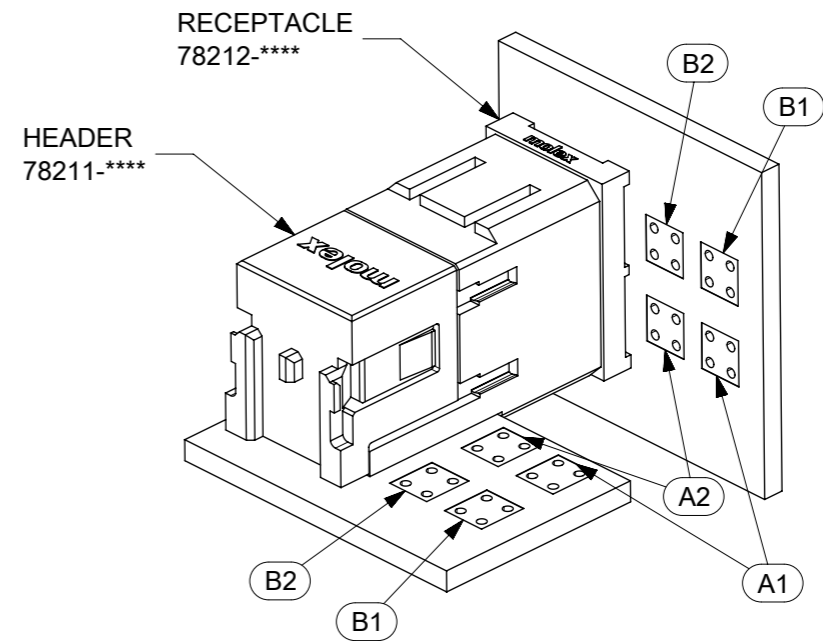
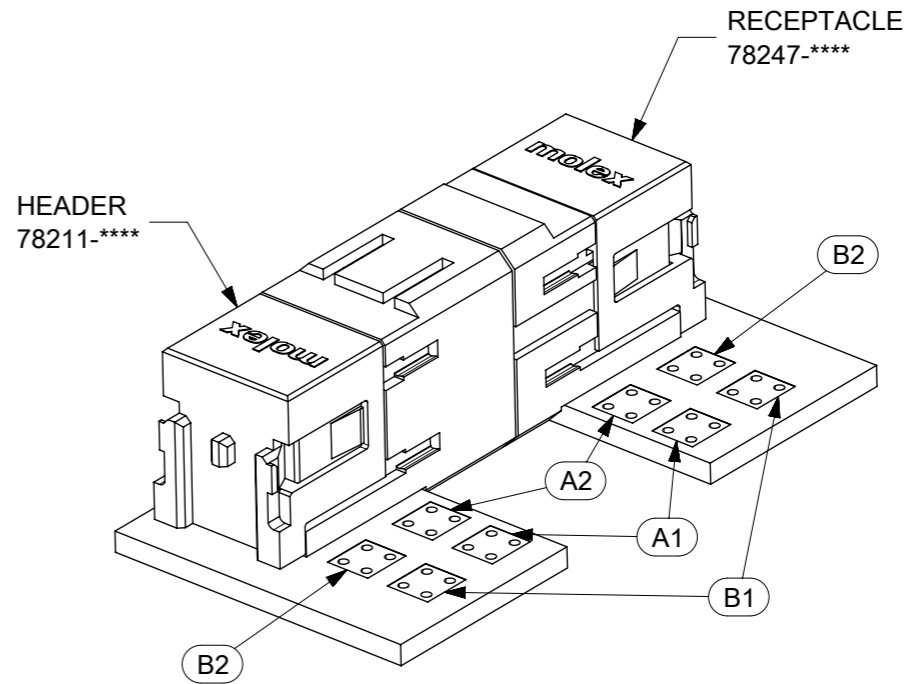


RIGHT ANGLE HEADER (78211) & VERTICAL RECEPTACLE (78212)

5 MATED SYSTEM OPTIONS WITH 78211



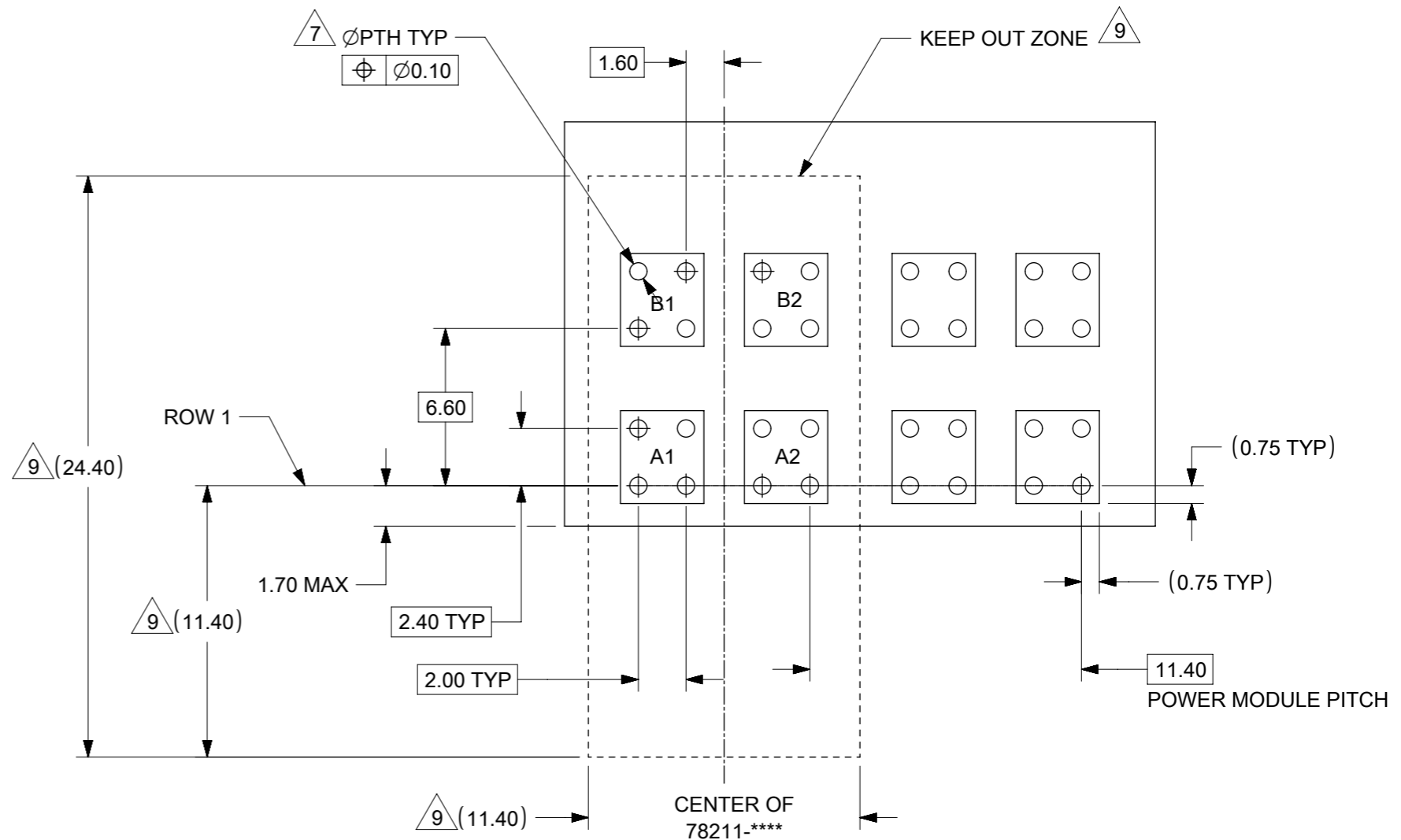
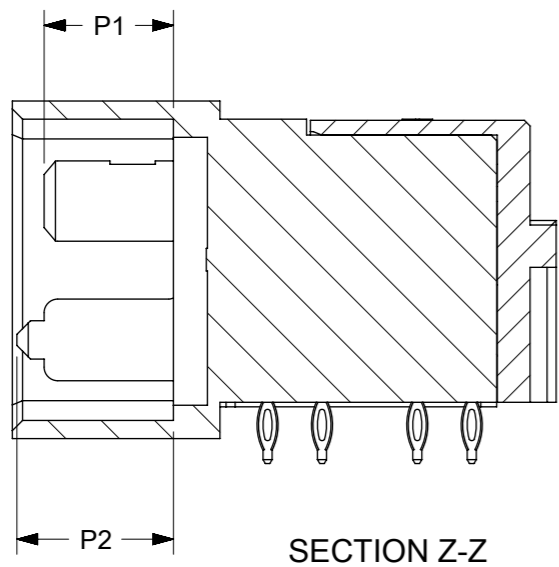
PIN NUMBER ASSIGNMENT FOR CIRCUIT PATH ON MATED SYSTEM IS BASED ON HEADER SIDE:
A1, B1 ON THE LEFT,
A2, B2 ON THE RIGHT.



CIRCUIT PATH OF MATED SYSTEM

THIS DRAWING CONTAINS INFORMATION THAT IS PROPRIETARY TO MOLEX ELECTRONIC TECHNOLOGIES, LLC AND SHOULD NOT BE USED WITHOUT WRITTEN PERMISSION		CURRENT REV DESC: MIGRATED TO NX		molex	
DIMENSION UNITS	SCALE				
mm	NTS			IMPACT POWER, 3 PAIR RIGHT ANGLE HEADER PRESS-FIT	
GENERAL TOLERANCES (UNLESS SPECIFIED)		EC NO: 612508		PRODUCT CUSTOMER DRAWING	
ANGULAR TOL	± 3.0 °	DRWN: NMUTHARAYAPP	2019/02/06	DOCUMENT NUMBER	
4 PLACES	±	CHK'D: ABN	2019/03/12	SD-78211-002	
3 PLACES	±	APPR: CWANG25	2019/03/13	DOC TYPE	DOC PART
2 PLACES	± 0.25	INITIAL REVISION:		PSD	001
1 PLACE	±	DRWN: LNG	2007/12/11	REVISION	
0 PLACES	±	APPR: SHONG	2007/12/12	A5	
DRAFT WHERE APPLICABLE MUST REMAIN WITHIN DIMENSIONS	THIRD ANGLE PROJECTION	DRAWING	SERIES	MATERIAL NUMBER	CUSTOMER
		A3-SIZE	78211	SEE TABLE	GENERAL MARKET
				SHEET NUMBER	
				2 OF 3	

PART NUMBER	P1 (APPLIES TO B1 & B2)	P2 (APPLIES TO A1 & A2)	PLATING OPTIONS	PACKAGING
78211-1011	6.90	6.90	TIN PLATING	TRAY
78211-1022	5.70	5.70		
78211-1033	6.90	5.70		
78211-1044	5.70	6.90		



RECOMMENDED PCB LAYOUT
(COMPONENT SIDE SHOWN)
MINIMUM BOARD THICKNESS: 1.60mm

THIS DRAWING CONTAINS INFORMATION THAT IS PROPRIETARY TO MOLEX ELECTRONIC TECHNOLOGIES, LLC AND SHOULD NOT BE USED WITHOUT WRITTEN PERMISSION		CURRENT REV DESC: MIGRATED TO NX		molex	
DIMENSION UNITS	SCALE				
mm	NTS			IMPACT POWER, 3 PAIR RIGHT ANGLE HEADER PRESS-FIT	
GENERAL TOLERANCES (UNLESS SPECIFIED)		EC NO: 612508		PRODUCT CUSTOMER DRAWING	
ANGULAR TOL	± 3.0 °	DRWN: NMUTHARAYAPP	2019/02/06	DOCUMENT NUMBER	
4 PLACES	±	CHK'D: ABN	2019/03/12	SD-78211-002	
3 PLACES	±	APPR: CWANG25	2019/03/13	DOC TYPE	DOC PART
2 PLACES	± 0.25	INITIAL REVISION:		PSD	001
1 PLACE	±	DRWN: LNG	2007/12/11	REVISION	
0 PLACES	±	APPR: SHONG	2007/12/12	A5	
DRAFT WHERE APPLICABLE MUST REMAIN WITHIN DIMENSIONS		THIRD ANGLE PROJECTION	DRAWING	SERIES	MATERIAL NUMBER
			A3-SIZE	78211	SEE TABLE
		CUSTOMER	SHEET NUMBER		
		GENERAL MARKET	3 OF 3		

DOCUMENT STATUS	P1	RELEASE DATE	2019/03/13	10:32:41
-----------------	----	--------------	------------	----------