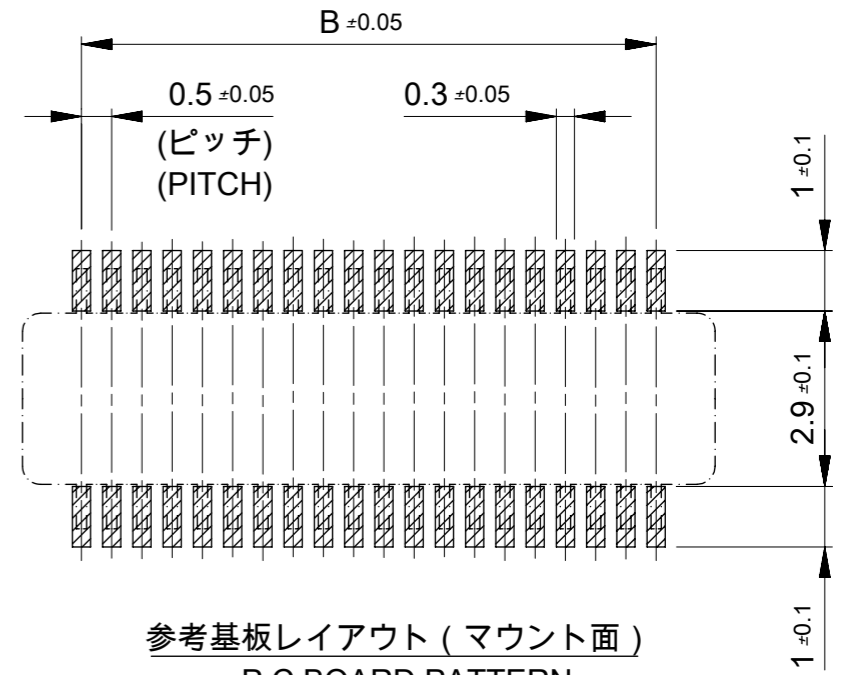
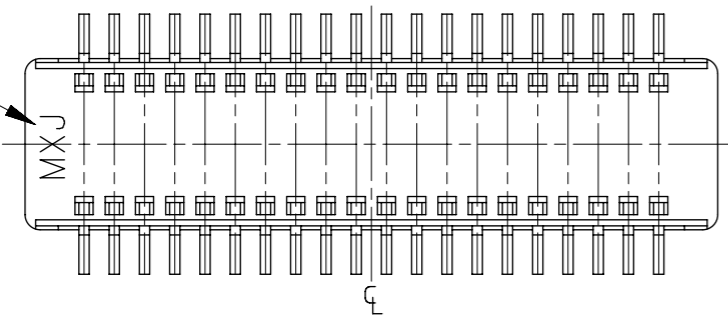
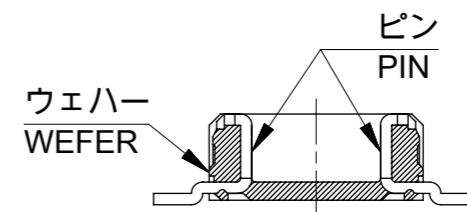
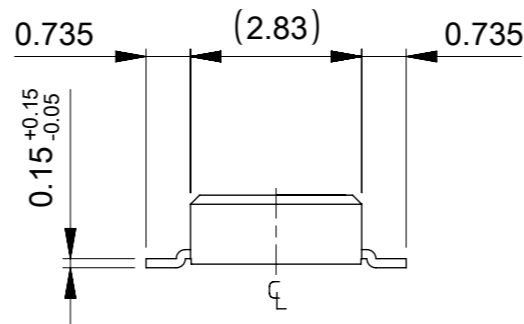


LOCK POSITION 1 2 3 N-2N-1N

トレードマーク
TRADE MARK



参考基板レイアウト (マウント面)
P.C. BOARD PATTERN
DIMENSION. (REF.)
(MOUNTING AREA)



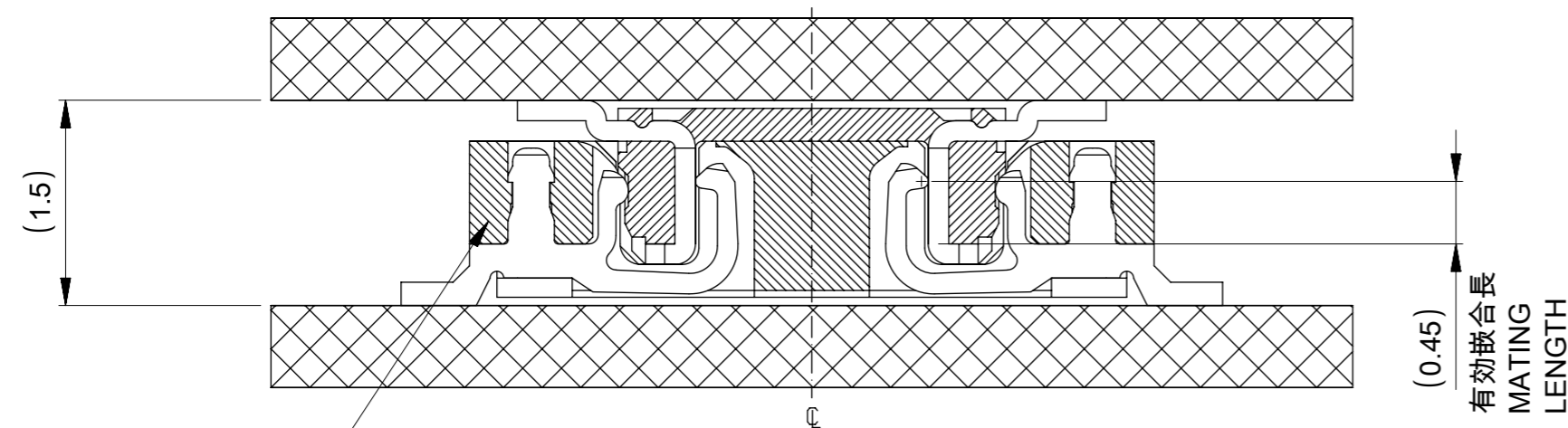
SECTION W-W (LOCK PART)

SECTION V-V (W/O LOCK PART)

NON	20.55	19.5	21.45	55560-0807	80
10,21	15.55	14.5	16.45	55560-0607	60
2,4,8,10,16,18,22,24	13.05	12.0	13.95	55560-0507	50
2,3,5,6,8,9,12,13,15,16,18,19	10.55	9.5	11.45	55560-0407	40
2,3,4,5,8,9,10,11,14,15,16,17	9.55	8.5	10.45	55560-0367	36
2,3,4,5,7,8,9,10,11,13,14,15,16	9.05	8.0	9.95	55560-0347	34
ALL	8.05	7.0	8.95	55560-0307	30
	6.55	5.5	7.45	55560-0247	24
	6.05	5.0	6.95	55560-0227	22
				55560-0228	
	5.55	4.5	6.45	55560-0207	20
4.55	3.5	5.45	55560-0168	16	
LOCK POSITION	C	B	A	Emboss tape Package ORDER No. オーダー番号	極数 CIRCUIT

CONNECTOR SERIES No. 55560-***1

GENERAL TOLERANCES (UNLESS SPECIFIED)		DIMENSION UNITS		SCALE		THIS DRAWING CONTAINS INFORMATION THAT IS PROPRIETARY TO MOLEX ELECTRONIC TECHNOLOGIES, LLC AND SHOULD NOT BE USED WITHOUT WRITTEN PERMISSION									
10 ^{UNDER}	±0.2	mm	8:1	CURRENT REV DESC: REVISED		<p>molex</p> <p>0.5 MM PITCH B-TO-B CONN. HEIGHT = 1.5 PLUG</p> <p>PRODUCT CUSTOMER DRAWING</p>									
10 ^{OVER} 30 ^{UNDER}	±0.25														
30 ^{OVER}	±0.3					<p>EC NO: 642297 DRWN: RMV02 CHK'D: HSHIMOYAMA APPR: SHOSHIKAWA</p> <p>INITIAL REVISION: DRWN: SAIHARA APPR: MSASAO</p> <p>2020/07/21 2020/11/30 2020/11/30</p> <p>2003/03/31 2003/03/31</p>									
DRAFT WHERE APPLICABLE MUST REMAIN WITHIN DIMENSIONS		DRAFT WHERE APPLICABLE MUST REMAIN WITHIN DIMENSIONS		THIRD ANGLE PROJECTION		DRAWING		SERIES		MATERIAL NUMBER		CUSTOMER		SHEET NUMBER	
				A3-SIZE		55560		SEE TABLE		GENERAL		1 OF 2			



嵌合相手 MATE WITH
54722-***4

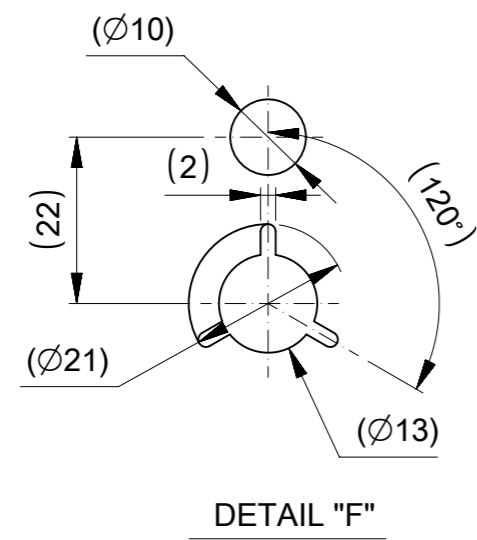
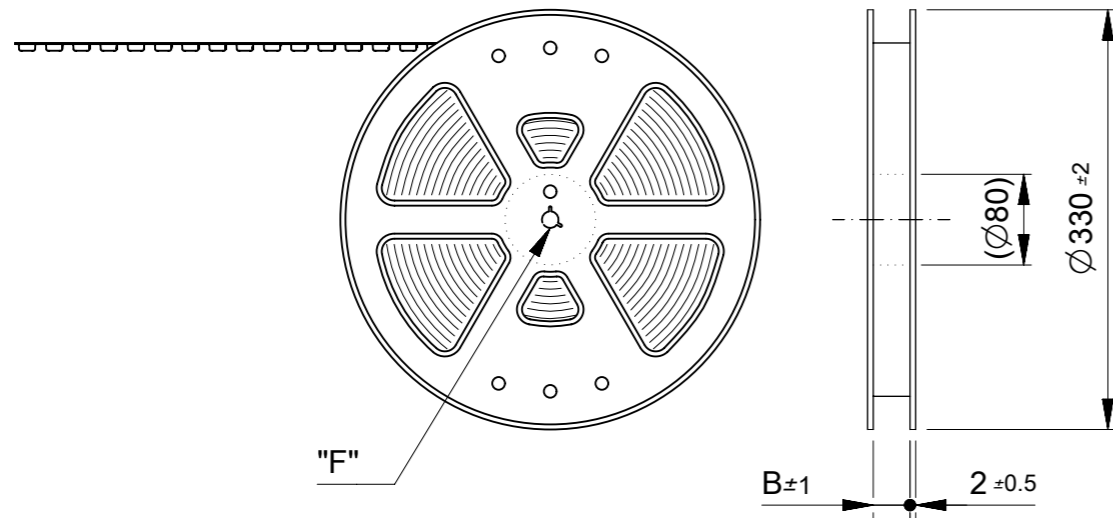
嵌合断面図 (参考)
MATED DRAWING (REF.)

注記 NOTES:

1. 使用材料 MATERIAL
 ウェハー : 液晶ポリマーガラス充填, UL94V-0 (黒)
 WAFER : LIQUID CRYSTRAL POLYMER
 (GLASS FILLED),UL94V-0 (COLOR:BLACK)
 ピン : 黄銅 (t=0.15)
 PIN : BRASS(t=0.15)
2. メッキ仕様 PLATING
 金メッキ 0.25 MICROMETER MINIMUM (コンタクト部)
 GOLD 0.25 MICROMETER MINIMUM (CONTACT AREA).
 金メッキ 0.4 MICROMETER MAXIMUM (テール部)
 GOLD 0.4 MICROMETER MAXIMUM (TAIL AREA).
 下地メッキ: ニッケルメッキ 1.5 MICROMETER MINIMUM
 UNDER PLATING : NICKEL 1.5 MICROMETER MINIMUM.
3. (全極数 / 2) = 偶数の場合に適用.
 APPLY FOR (CIRCUIT/2) = EVEN.
4. 嵌合相手 : 54722 シリーズ (嵌合高さ = 1.5mm)
 MATE WITH: 54722 SERIES.(HEIGHT=1.5mm)
5. テール平坦度は、0.1 MAXIMUM
 TAIL COPLANARITY TO BE 0.1 MAXIMUM.

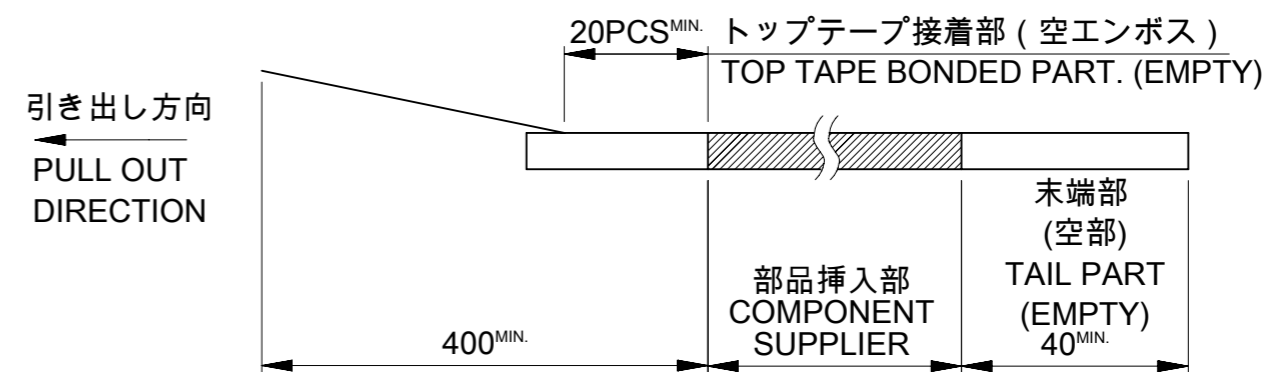
THIS DRAWING CONTAINS INFORMATION THAT IS PROPRIETARY TO MOLEX ELECTRONIC TECHNOLOGIES, LLC AND SHOULD NOT BE USED WITHOUT WRITTEN PERMISSION		CURRENT REV DESC: REVISED		molex	
DIMENSION UNITS mm	SCALE 20:1	EC NO: 642297 DRWN: RMV02 CHK'D: HSHIMOYAMA APPR: SHOSHIKAWA			
GENERAL TOLERANCES (UNLESS SPECIFIED)		GENERAL TOLERANCES (UNLESS SPECIFIED)		PRODUCT CUSTOMER DRAWING	
10 ^{UNDER}	±0.2	4 PLACES	±	INITIAL REVISION:	DOCUMENT NUMBER
10 ^{OVER} 30 ^{UNDER}	±0.25	3 PLACES	±	DRWN: SAIHARA	SD-55560-006
30 ^{OVER}	±0.3	2 PLACES	±	APPR: MSASAO	PSD 001 M
ANGULAR+3°		1 PLACE	±	2020/07/21	DOC TYPE
		0 PLACES	±	2020/11/30	DOC PART
DRAFT WHERE APPLICABLE MUST REMAIN WITHIN DIMENSIONS	DRAFT WHERE APPLICABLE MUST REMAIN WITHIN DIMENSIONS	THIRD ANGLE PROJECTION	DRAWING	SERIES	MATERIAL NUMBER
			A3-SIZE	55560	SEE SHEET 1
				CUSTOMER	SHEET NUMBER
				GENERAL	2 OF 2

引き出し方向
PULL OUT
DIRECTION

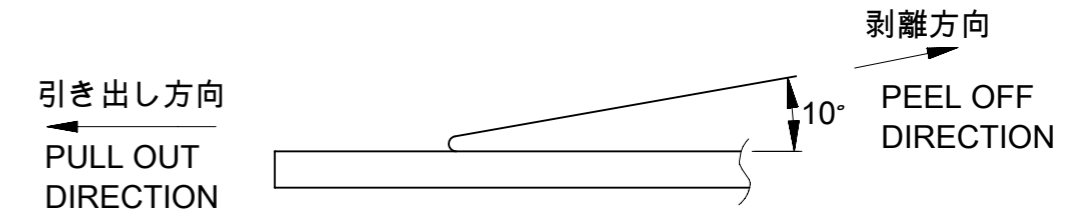


NOTE

- 製品詳細寸法については図面 SD-55560-006 を参照下さい。
DETAIL DIMENSIONS, SEE SD-55560-006
- 梱包数量 : 2000個 / リール
NUMBER OF CONNECTORS : 2000PCS/REEL
- リードテープ長さ LEAD TAPE LENGTH

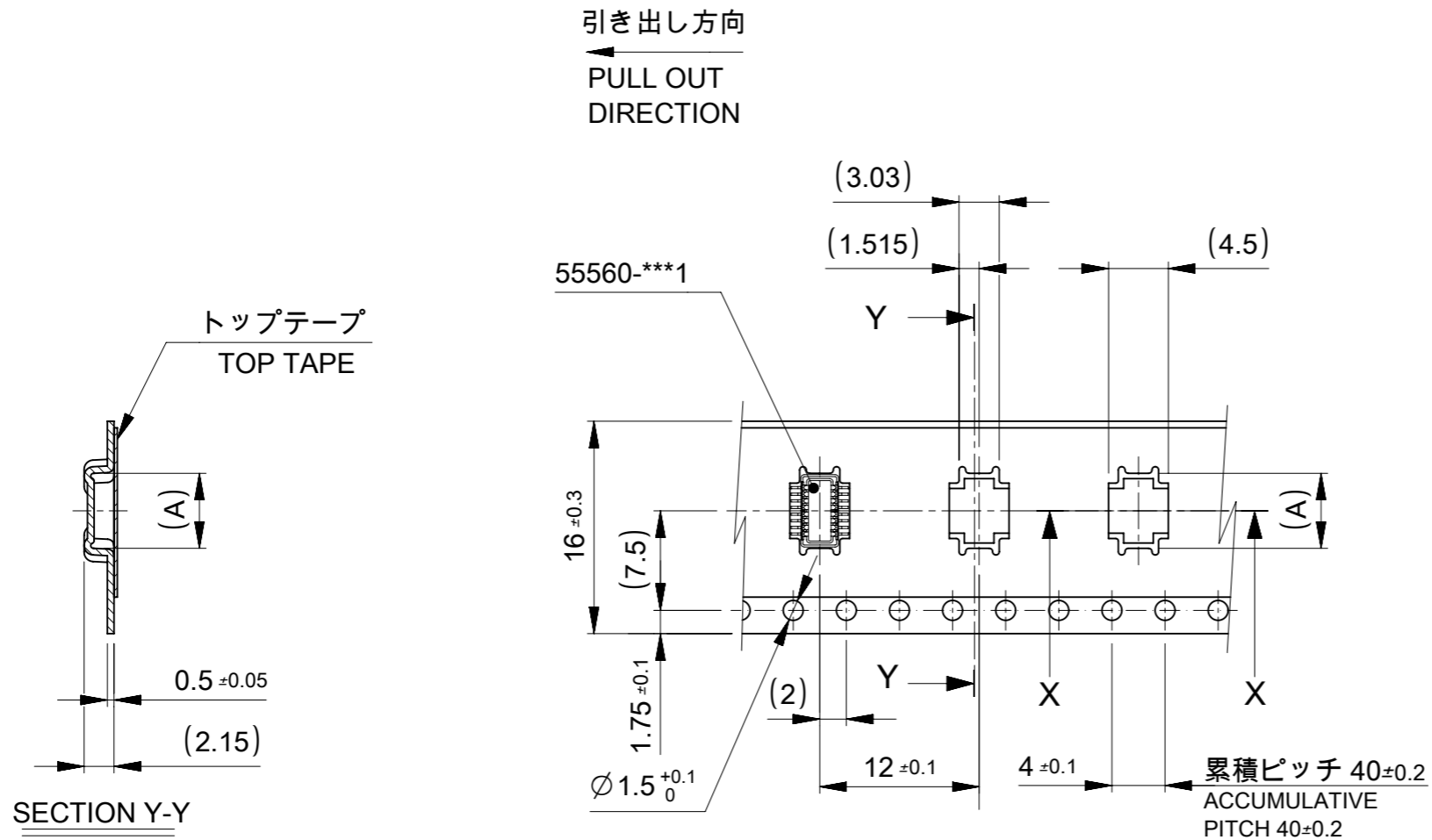


- トップテープの剥離強度 : 0.1N~0.7N(10.2gf~71.4gf)
(剥離方向は下図参照)
尚、本規格値は出荷時に適用。(但し、輸送時に剥離が発生しないこと.)
PEELING OFF FORCE OF TOP TAPE : 0.1N~0.7N(10.2gf~71.4gf)
(PEELING DIRECTION AS SHOWN IN FOLLOWING FIG.)
THIS REQUIREMENT SHOULD BE APPLIED AT SHIPMENT.
PEEL OFF SHOULD NOT BE ALLOWED, DURING TRANSPORTATION.



- 材料 キャリアテープ : ポリプロピレン (PP)
トップテープ : PET,PE,PEF
リール : ポリスチレン (PS) <リサイクル材を含む>
MATERIAL CARRIER TAPE : POLYPROPYLENE
TOP TAPE : PET,PE,PEF
REEL : POLYSTYRENE(PS)
< RECYCLE MATERIAL CONTAINED >

THIS DRAWING CONTAINS INFORMATION THAT IS PROPRIETARY TO MOLEX ELECTRONIC TECHNOLOGIES, LLC AND SHOULD NOT BE USED WITHOUT WRITTEN PERMISSION		CURRENT REV DESC: REVISED		molex	
DIMENSION UNITS	SCALE	EC NO: 642297			
mm	NTS	DRWN: SCV 2020/07/24		PRODUCT CUSTOMER DRAWING	
GENERAL TOLERANCES (UNLESS SPECIFIED)		CHK'D: HSHIMOMYAMA 2020/11/30		DOCUMENT NUMBER	
ANGULAR TOL ± °		APPR: SHOSHIKAWA 2020/11/30		SD-55560-008	
4 PLACES ±		INITIAL REVISION:		DOC TYPE DOC PART REVISION	
3 PLACES ±		DRWN: S.AIHARA 2000/11/28		PSD 001 B	
2 PLACES ±		APPR: M.FUKUSHIMA 2001/01/30		MATERIAL NUMBER	
1 PLACE ±		SERIES		CUSTOMER	
0 PLACES ±		A3-SIZE		GENERAL	
DRAFT WHERE APPLICABLE MUST REMAIN WITHIN DIMENSIONS		THIRD ANGLE PROJECTION		SHEET NUMBER	
DRAFT WHERE APPLICABLE MUST REMAIN WITHIN DIMENSIONS		DRAWING		1 OF 3	

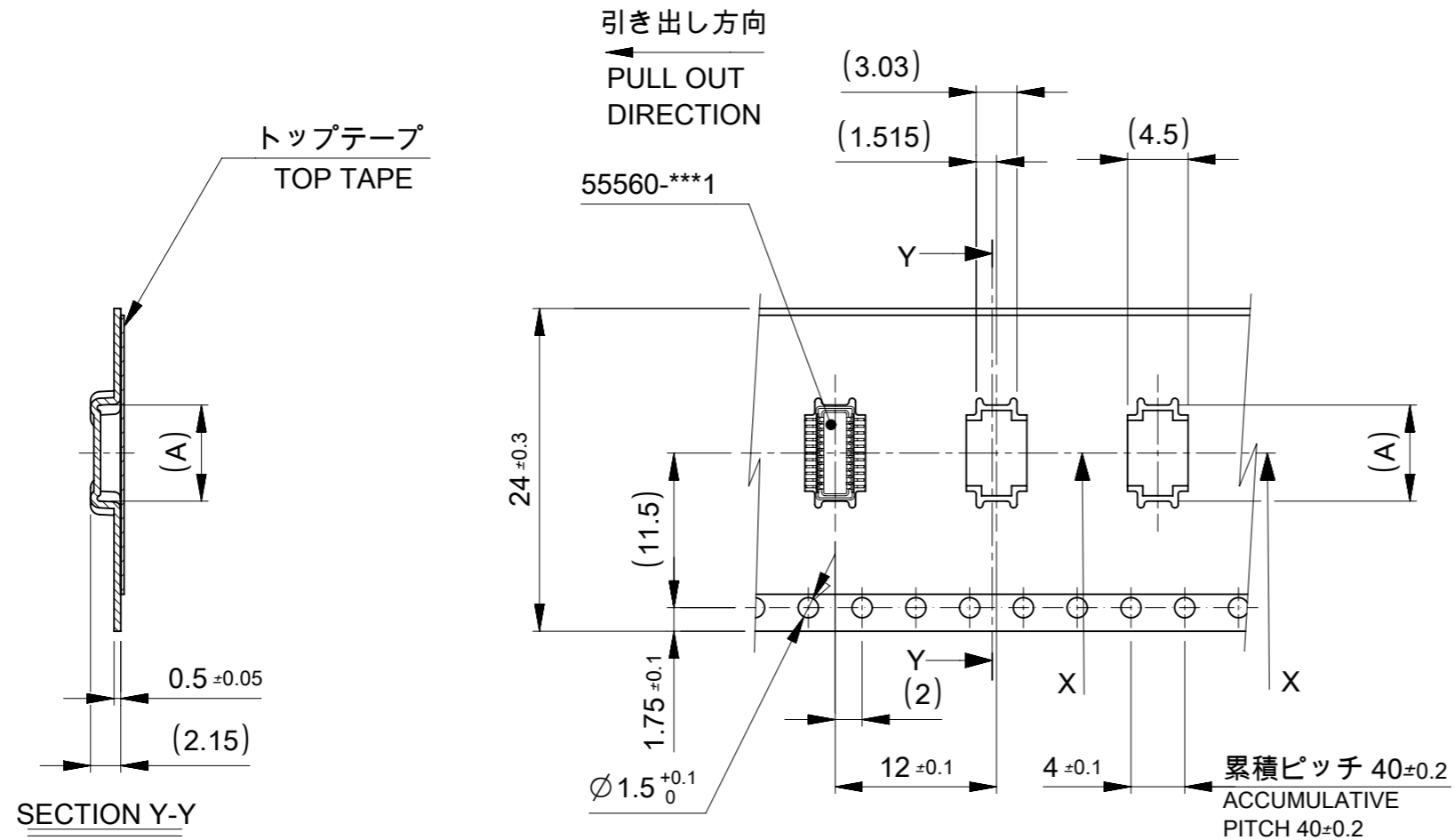


16 mm幅キャリアテープ
16mm WIDTH CARRIER TAPE

16	17.5	5.65	55560-0168	16
キャリアテープ幅 CARRIER TAPE WIDTH		B	(A)	極数 CIRCUIT
			MATERIAL NO.	

THIS DRAWING CONTAINS INFORMATION THAT IS PROPRIETARY TO MOLEX ELECTRONIC TECHNOLOGIES, LLC AND SHOULD NOT BE USED WITHOUT WRITTEN PERMISSION		CURRENT REV DESC: REVISED		molex	
DIMENSION UNITS	SCALE				
mm	NTS			0.5 MM PITCH B-TO-B CONN. HEIGHT = 1.5 PLUG EMBOSS TAPE PACKAGE	
GENERAL TOLERANCES (UNLESS SPECIFIED)		GENERAL TOLERANCES (UNLESS SPECIFIED)		PRODUCT CUSTOMER DRAWING	
ANGULAR TOL ± °		ANGULAR TOL ± °		DOCUMENT NUMBER	
4 PLACES ±		4 PLACES ±		SD-55560-008	
3 PLACES ±		3 PLACES ±		DOC TYPE	
2 PLACES ±		2 PLACES ±		PSD	
1 PLACE ±		1 PLACE ±		DOC PART	
0 PLACES ±		0 PLACES ±		001	
ANGULAR+3°		ANGULAR+3°		REVISION	
DRAFT WHERE APPLICABLE MUST REMAIN WITHIN DIMENSIONS		DRAFT WHERE APPLICABLE MUST REMAIN WITHIN DIMENSIONS		B	
THIRD ANGLE PROJECTION		THIRD ANGLE PROJECTION		SHEET NUMBER	
DRAWING		DRAWING		2 OF 3	
A3-SIZE		A3-SIZE			
SERIES		SERIES			
55560		55560			
MATERIAL NUMBER		MATERIAL NUMBER			
SEE TABLE		SEE TABLE			
CUSTOMER		CUSTOMER			
GENERAL		GENERAL			

GENERAL TOLERANCES (UNLESS SPECIFIED)	
10 ^{UNDER}	±0.2
10 ^{OVER} 30 ^{UNDER}	±0.25
30 ^{OVER}	±0.3
ANGULAR+3°	
DRAFT WHERE APPLICABLE MUST REMAIN WITHIN DIMENSIONS	



24 mm幅キャリアテープ
24mm WIDTH CARRIER TAPE

24	25.5	17.15	55560-0228	22
キャリアテープ幅 CARRIER TAPE WIDTH		B	(A) MATERIAL NO.	極数 CIRCUIT

THIS DRAWING CONTAINS INFORMATION THAT IS PROPRIETARY TO MOLEX ELECTRONIC TECHNOLOGIES, LLC AND SHOULD NOT BE USED WITHOUT WRITTEN PERMISSION

mm NTS SCALE

GENERAL TOLERANCES (UNLESS SPECIFIED)

10 ^{UNDER}	±0.2
10 ^{OVER} 30 ^{UNDER}	±0.25
30 ^{OVER}	±0.3

ANGULAR TOL ± °

4 PLACES	±
3 PLACES	±
2 PLACES	±
1 PLACE	±
0 PLACES	±

DRAFT WHERE APPLICABLE MUST REMAIN WITHIN DIMENSIONS

THIRD ANGLE PROJECTION

DRAWING A3-SIZE

SERIES 55560

MATERIAL NUMBER SEE TABLE

CUSTOMER GENERAL

SHEET NUMBER 3 OF 3

EC NO: 642297
DRWN: SCV
CHK'D: HSHIMUYAMA
APPR: SHOSHIKAWA

INITIAL REVISION:
DRWN: S.AIHARA
APPR: M.FUKUSHIMA

2020/07/24
2020/11/30
2020/11/30

2000/11/28
2001/01/30

DOCUMENT NUMBER SD-55560-008

DOC TYPE PSD

DOC PART 001

REVISION B

molex

0.5 MM PITCH B-TO-B CONN.
HEIGHT = 1.5 PLUG EMBOSS TAPE PACKAGE

PRODUCT CUSTOMER DRAWING