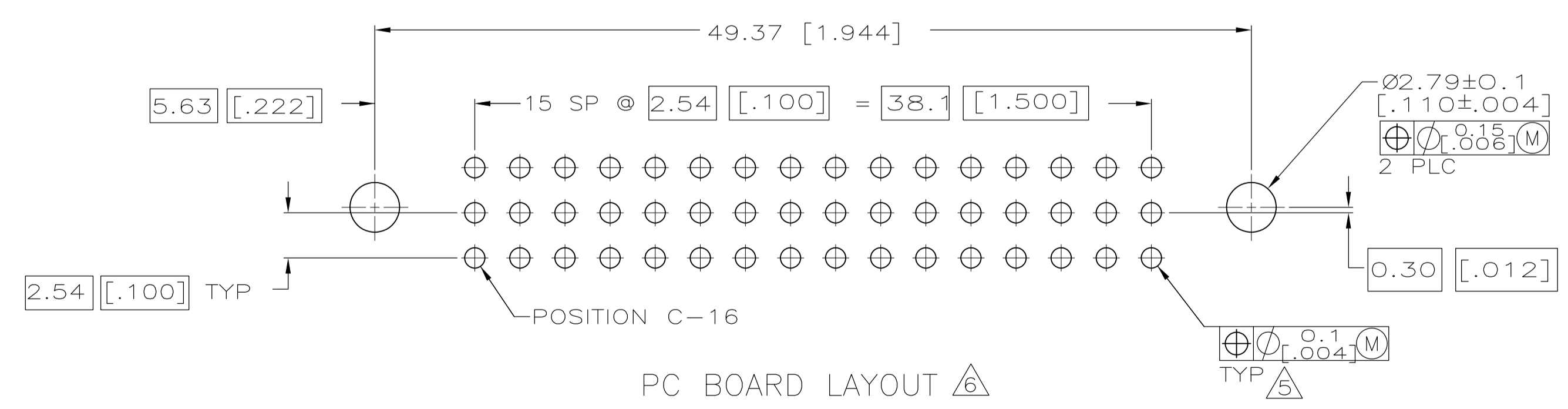
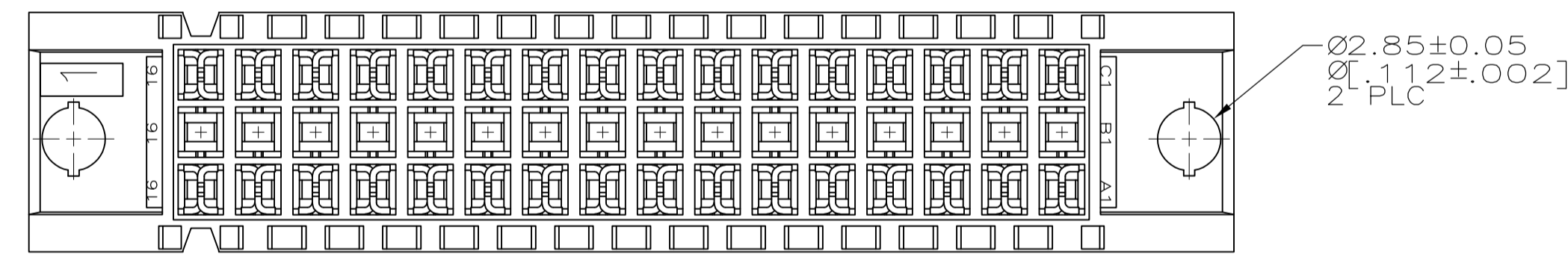
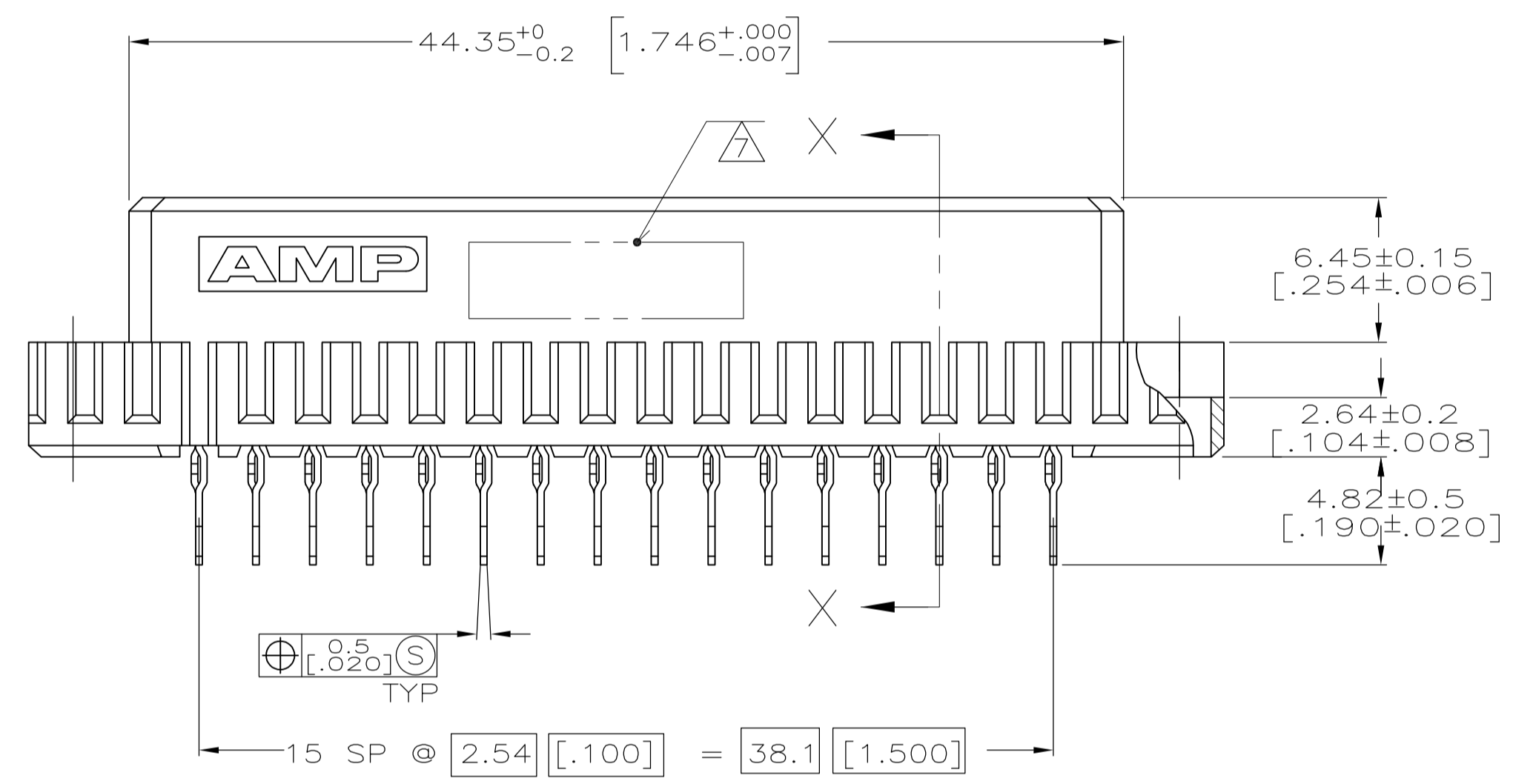
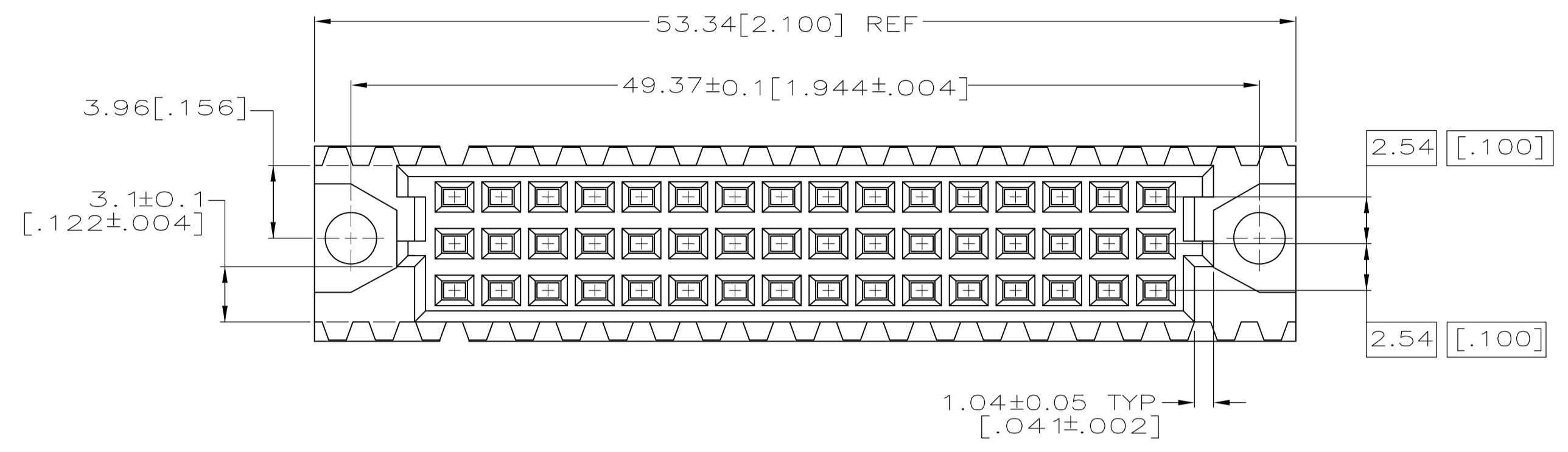
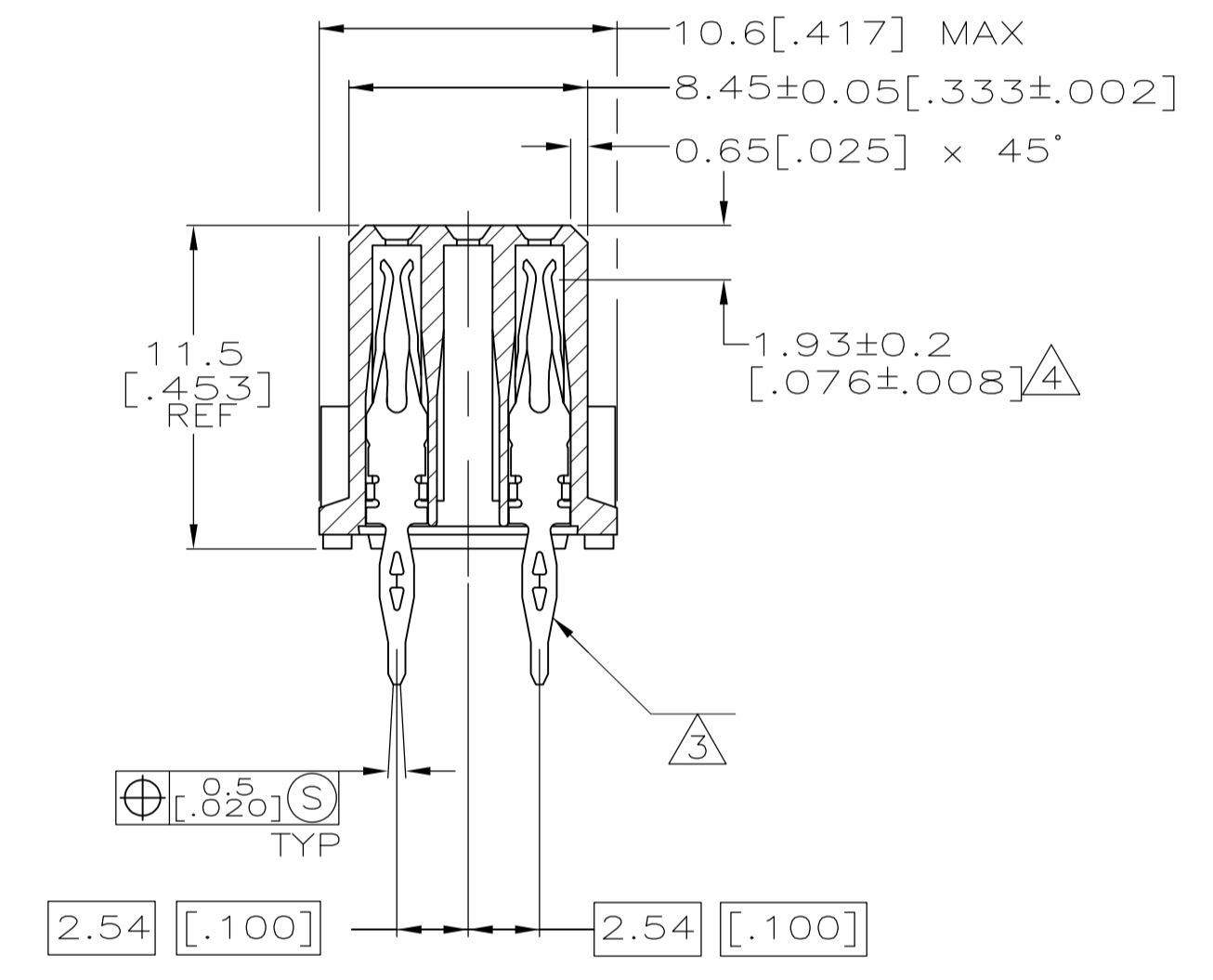


LOC		DIST		REVISIONS			
AD	25	REV	DATE	BY	APPV	DATE	BY
A		RELEASE PER ECO-12-002590	20FEB2012	WS	RP		



- △ HOUSING MATERIAL: GLASS-FILLED POLYMER.
- △ CONTACT MATERIAL: COPPER ALLOY.
- △ CONTACT FINISH: DIN 41612 CLASS 2 IN CONTACT AREA. TIN PLATE ON TAILS.
- △ CONTACT POINT.
- △ ACTION PIN POSTS REQUIRE 1.57 [0.062] MIN THICK PC BOARD. RECOMMENDED PC BOARD HOLES ARE Ø1.151 ± 0.2 [0.0453 ± .001] DRILLED HOLE WITH 0.2-0.07 [0.001-.003] COPPER AND 0.008 [0.0003] MIN TIN-LEAD PLATING. FINISHED HOLE AFTER PLATING, Ø0.94-1.09 [0.037-.043].
- △ CENTER ROW OF PLATED THRU HOLES NOT REQUIRED FOR THIS CONNECTOR LOAD PATTERN.
- △ PART NUMBER, DATE CODE IDENTIFICATION, CSA LOGO IN THIS APPROXIMATE AREA, ON REVERSE SIDE.
- △ OBSOLETE PARTS: OBSOLETE CIS STREAMLINING PER D.RENAUD/D.SINISI



SECTION X-X

NOTES	POSITIONS LOADED	ROWS LOADED	NO. OF LOADED POSITION	ASSY PART NUMBER
△ OBSOLETE	1 THRU 16	X - X	32	5535068-5
	1 THRU 16	X - X	32	5535068-4

THIS DRAWING IS A CONTROLLED DOCUMENT.		DIN J. POLIGNONE 03JUN05	
DIMENSIONS: mm [INCHES]		TOLERANCES UNLESS OTHERWISE SPECIFIED:	
0 PLC	± -		
1 PLC	± -		
2 PLC	± 0.13 [0.005]		
3 PLC	± -		
4 PLC	± -		
ANGLES	± -		
MATERIAL	FINISH	SIZE	SCALE
		A1	4:1
CUSTOMER DRAWING		DRAWING NO.	REV
		00779	5535068
		SHEET	1 OF 1